

Refrigeration Top Sellers

Professional refrigeration components and parts



eliwell
by Schneider Electric

embraco

ebmpapst

Castel

SECOP

dixell

CAREL

cubigel
compressors

All the parts
you need,
when you need
them

Table of contents

Cubigel compressors	5
Embraco compressors	10
Secop compressors	18
Tecumseh compressors	24
Compressors accessories	33
Copeland scroll compressors	34
Semihermetic compressors	35
Refrigeration units	36
Evaporators Luve SHS	49
Evaporators for counter	50
Heating elements	51
Drip trays	55
Condensers	56
Axial motor fans	58
Fan motors	64
Telethermometers	78
Thermostats	80
Electronic controllers	83
Probes	111
Potentiometers	113
Electrical boards	114
Pressure switches	121
Solenoid valves	124
Filters	128
Valves	134
Liquid receivers	143
Gas taps and accessories	144
Capillaries	146
Vibration isolators for copper pipes	147
Copper pipes	148
Insulators	149
Mechanical microswitches	150
Compensation valves	152
Refrigeration tools	153
Cold room spare parts	157

Our range

Every day REPA aims to offer all the components and parts refrigeration professionals need, when they need, in order to provide the best refrigeration solutions with an unrivalled product availability. Automated warehouses throughout Europe to ensure 24h delivery and proven technical and industrial expertise. We work closely and constantly with the best brands on the market to offer to our customers the most popular and demanded items.

Thanks to REPA's consolidated experience in the spare parts sector, the REPA Group offers the widest range of parts and accessories for commercial refrigeration. From compressors to condensing units, axial fans, electronic controllers and for sure tools and consumables, you will find all the spares you may need in our web shop.

The REPA Group is the ideal partner for commercial refrigeration professionals thanks to the high stock availability and the exclusive next day delivery, all items will be shipped to our customers within 24 hours to everywhere in Europe, so you can get back to business.



...and much more.



Cubigel compressors

COMPRESSORS CUBIGEL R134a LBP

cubigel
compressors



L/B



GL

R134a
LBP

LF code	GEV code	Model	Motor power HP	Displ. cm ³	Electric diagram	LRA	Watt	Ampere	Refrigeration power Watt				Power supply Volt/Ph/Hz
									Evaporating temp. °C	-30	-25	-20	
3070363	LF3070363	L22HL	1/20	2.2	RSIR	1.8	54	0.48	24	35	46	79	220-240/1/50
3070371	LF3070371	L30HL	1/12	3.1	RSIR	2.6	74	0.60	34	49	67	112	220-240/1/50
3070370	LF3070370	B43H	1/10	4.3	RSIR	4.3	93	0.84	50	71	96	157	220-240/1/50-60
3070196	605197	GL60AA	1/6	6.0	RSIR	9	126	0.85	75	107	145	239	220-240/1/50
3070197	605062	GL80AA	1/5	8.1	RSIR	11.5	162	1.1	102	144	196	326	220-240/1/50
3070201	605185	GL90AA	1/4	9.1	RSIR	12.8	184	1.2	119	165	219	351	220-240/1/50
3070198	LF3070198	GL99AA	1/3	10.0	RSIR	14	189	1.3	125	175	233	377	220-240/1/50

Condensation temperature +55°C - Test conditions CECOMAF EN12900

COMPRESSORS CUBIGEL R134a HMBP

cubigel
compressors



B



GL/GP



GX



GS

R134a
HMBP

LF code	GEV code	Model	Motor power HP	Displ. cm ³	Electric diagram	LRA	Watt	Ampere	Refrigeration power Watt				Power supply Volt/Ph/Hz
									Evaporating temp. °C	-10	-5	0	
3070364	LF3070364	B30G	1/10	3.1	CSIR	4.0	103	0.8	117	152	190	229	220-240/1/50
3070368	LF3070368	B35GL	1/10	3.5	CSIR	5.5	136	0.9	130	166	210	262	220-240/1/50
3070369	605282	B38G	1/8	3.8	CSIR	4.2	152	1.0	160	198	241	291	220-240/1/50
3070011	605012	GU45TG	1/6	4.5	CSIR	6.5	220	1.2	175	223	278	342	220-240/1/50
3070012	605007	GL60TB	1/5	5.7	CSIR	8.3	250	1.5	222	284	356	437	220-240/1/50
3070013	605008	GL80TB	1/4L	7.6	CSIR	9.8	315	1.8	280	360	451	554	220-240/1/50
3070014	605009	GL90TB	1/4	8.8	CSIR	12.0	360	2.1	339	432	539	661	220-240/1/50
3070278	LF3070278	GL11TB	1/3	9.9	CSIR	12.5	422	2.5	426	539	670	817	220-240/1/50
3070365	605312	GLY12RAa	1/3	10.7	CSIR	14.8	362	2.2	438	555	698	867	220-240/1/50
3070051	605011	GP14TB	3/8	14.0	CSIR	18.0	590	3.4	497	643	810	999	220-240/1/50
3070156	605170	GP16TB	3/8	16.0	CSIR	20.0	666	3.9	619	788	983	1205	220-240/1/50
3070016	605182	GX18TB	1/2	18.4	CSIR	24.0	755	4.6	709	907	1134	1390	220-240/1/50
3070084	LF3070084	GX21TB	5/8	20.7	CSIR	26.0	850	5.3	792	1012	1265	1550	220-240/1/50
3070083	605212	GX23TB	5/8	23.2	CSIR	26.0	950	5.8	887	1132	1413	1730	220-240/1/50
3070085	LF3070085	GS26TB	3/4	25.9	CSR	32.0	1030	6.3	984	1306	1668	2071	220-240/1/50
3070086	605211	GS34TB	1	34.4	CSR	32.0	1300	6.6	1439	1860	2331	2852	220-240/1/50

Condensation temperature +55°C - Test conditions CECOMAF EN12900

Cubigel compressors

COMPRESSORS CUBIGEL R404a-R507 LBP

cubigel
compressors



ML/MP



MX



MS

R404a R507
LBP

LF code	GEV code	Model	Motor power HP	Displ. cm ³	Electric diagram	LRA	Watt	Ampere	Refrigeration power Watt				Power supply Volt/Ph/Hz
									Evaporating temp. °C	-30	-25	-20	
3070087	LF3070087	ML45FB	1/6	4.6	CSIR	8.5	210	1.4	100	134	174	275	220-240/1/50
3070041	LF3070041	ML60FB	1/5	6.0	CSIR	9.0	260	1.6	134	178	229	352	220-240/1/50
3070042	605207	ML80FB	1/4L	8.1	CSIR	12.2	340	2.1	190	253	326	507	220-240/1/50
3070043	605176	ML90FB	1/4	8.8	CSIR	12.2	350	2.3	208	276	356	550	220-240/1/50
3070366	LF3070366	MLY90LAa	1/3	9.1	CSIR	11.5	343	2.3	236	311	399	612	220-240/1/50
3070374	605278	MLY12LAa	3/8	10.7	CSIR	18.5	430	2.9	294	387	495	762	220-240/1/50
3070213	LF3070213	MPT12LA	3/8	12.1	CSR	13.9	467	2.2	348	453	601	876	220-240/1/50
3070032	605073	MP14FB	1/2	14.0	CSIR	17.5	560	3.4	304	422	558	881	220-240/1/50
3070228	605307	MPT14LA	1/2	14.3	CSR	16.0	565	2.8	420	535	669	988	220-240/1/50
3070279	LF3070279	MPT16LA	1/2	16.1	CSR	19.0	605	2.9	467	610	788	1165	220-240/1/50
3070033	605127	MX18FBa	5/8	18.4	CSR	18.0	600	3.0	397	548	724	1151	220-240/1/50
3070034	605075	MX21FBa	3/4	20.7	CSR	24.0	695	3.5	464	632	828	1301	220-240/1/50
3070072	605180	MX23FBa	1	23.2	CSR	24.0	790	4.0	536	720	937	1410	220-240/1/50
3070035	LF3070035	MS26FB	1.2	25.9	CSR	30.0	890	4.5	572	816	1094	1744	220-240/1/50
3070066	605195	MS34FB	1.5	34.4	CSR	39.0	1205	6.4	764	1089	1457	2319	220-240/1/50

Condensation temperature +55°C - Test conditions CECOMAF EN12900

COMPRESSORS CUBIGEL R404a-R507 HMBP

cubigel
compressors



ML/MP



MX



MS

R404a R507
HMBP

LF code	GEV code	Model	Motor power HP	Displ. cm ³	Electric diagram	LRA	Watt	Ampere	Refrigeration power Watt				Power supply Volt/Ph/Hz
									Evaporating temp. °C	-10	-5	0	
3070161	605020	ML40TB	1/6	4.0	CSIR	8.4	340	1.9	266	327	396	473	220-240/1/50
3070021	605068	ML45TB	1/5	4.5	CSIR	9.7	365	2.1	296	364	441	528	220-240/1/50
3070022	605013	ML60TB	1/4	5.7	CSIR	10.6	440	2.5	352	438	536	647	220-240/1/50
3070023	605014	ML80TB	1/3	7.6	CSIR	12.8	555	3.1	487	604	735	880	220-240/1/50
3070367	LF3070367	MLY80RAa	1/3	8.1	CSIR	14.0	485	3.0	579	717	873	1049	220-240/1/50
3070024	605028	ML90TB	3/8	8.5	CSIR	16.0	669	3.8	583	721	879	1055	220-240/1/50
3070340	605310	MPT12RA	1/2	12.1	CSR	18.5	817	3.8	899	1097	1317	1559	220-240/1/50
3070341	605067	MPT14RA	5/8	14.3	CSR	21.0	984	4.5	983	1208	1464	1750	220-240/1/50
3070036	605072	MX18TBa	3/4	18.4	CSR	29.5	1245	6.5	1185	1472	1796	2157	220-240/1/50
3070063	605093	MX21TBa	1	20.7	CSR	33.0	1415	7.1	1331	1653	2018	2425	220-240/1/50
3070064	605071	MS26TB	1.2	25.9	CSR	38.0	1629	8.1	1687	2133	2632	3185	220-240/1/50
3070065	LF3070065	MS34TB	1.5	34.4	CSR	41.0	2300	11.5	2370	2935	3556	4231	220-240/1/50

Condensation temperature +55°C - Test conditions CECOMAF EN12900

Cubigel compressors

COMPRESSORS CUBIGEL R290 LBP

cubigel
compressors



NUY-NUT



NLY



NP



R290
LBP

LF code	GEV code	Model	Motor power HP	Displ. cm ³	Electric diagram	LRA	Watt	Ampere	Refrigeration power Watt				Power supply Volt/Ph/Hz	
									Evaporating temp. °C					
									-30	-25	-20	-10		
3070401	605361	NUY45LAa	1/5	4.5	CSIR	7.5	131	0.85	148	191	239	353	220-240/1/50	
3070396	605355	NUT55CAc	1/5	5.5	RSIR	6.0	154	0.97	189	242	303	450	220-240/1/50	
3070398	605358	NUT60CAa	1/4	6.0	RSIR	7.3	174	1.1	211	270	338	501	220-240/1/50	
3070514	LF3070514	NUY80LA_A	1/3	8.10	CSIR	11.5	254	1.6	286	361	444	639	220-240/1/50	
3070404	605364	NLY90LAa	1/3	9.09	CSIR	13.5	291	2.07	293	377	473	700	220-240/1/50	
3070403	605363	NLY12LAa	3/8	10.70	CSIR	17.5	361	1.73	354	453	565	831	220-240/1/50	
3070509	LF3070509	NUY120NA	3/8	12.50	CSR	17.7	371	1.91	427	543	678	999	220-240/1/50	

Condensation temperature +45°C - Test conditions CECOMAF EN12900

COMPRESSORS CUBIGEL R290 HMBP

cubigel
compressors



NBC



NUY



NP

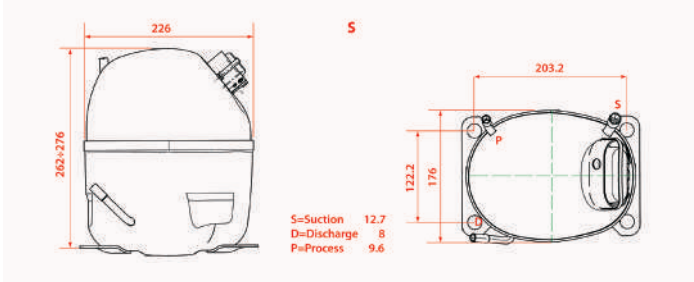
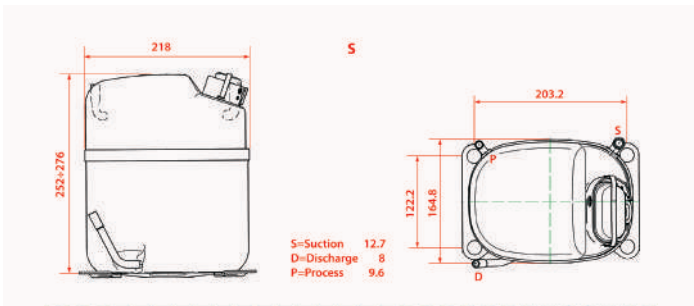
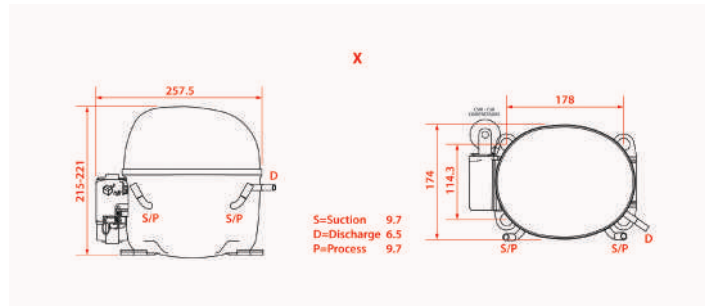
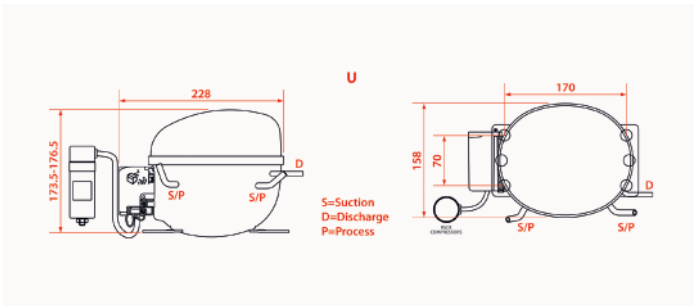
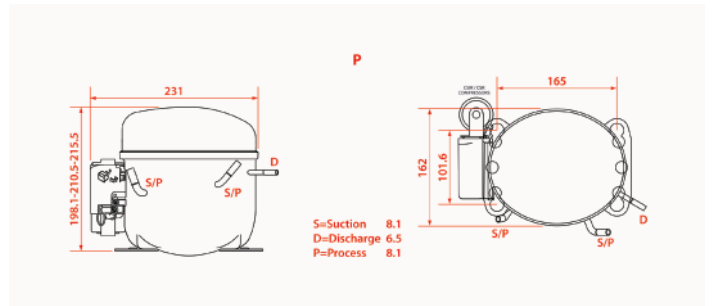
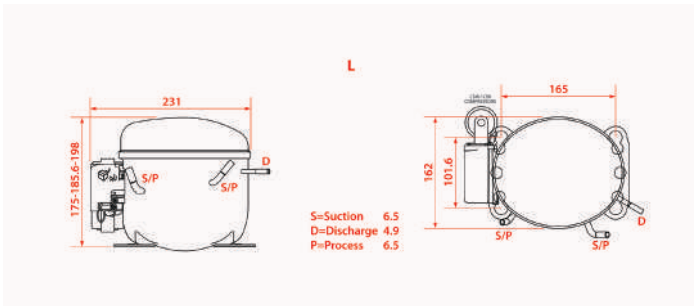
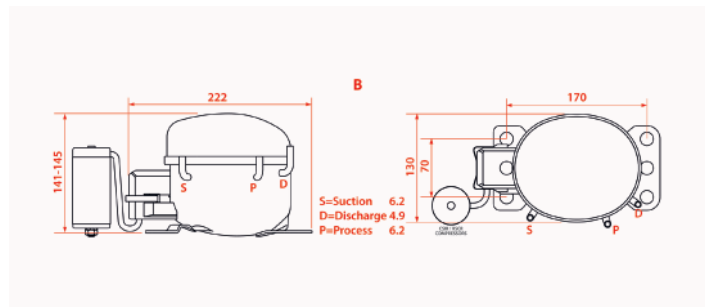
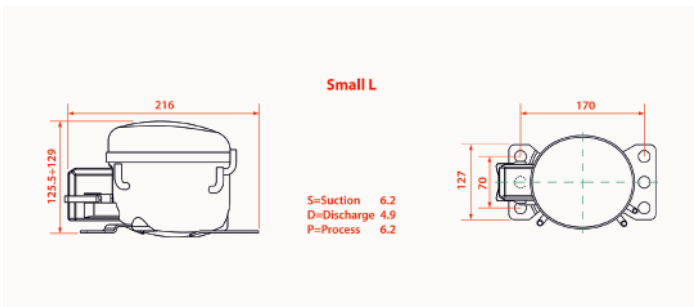


R290
HMBP

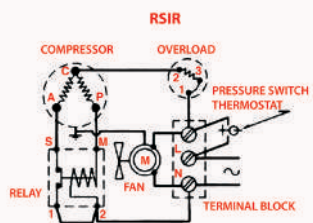
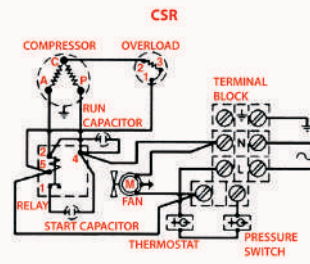
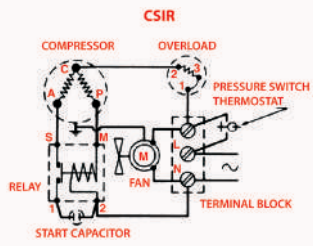
LF code	GEV code	Model	Motor power HP	Displ. cm ³	Electric diagram	LRA	Watt	Ampere	Refrigeration power Watt				Power supply Volt/Ph/Hz	
									Evaporating temp. °C					
									-10	-5	0	+5		
3070405	605365	NBC30RA	1/10	3.10	CSIR	6.5	160	1.14	237	289	349	415	220-240/1/50	
3070397	605356	NUY45RAa	1/5	4.50	CSIR	10.5	219	1.43	348	423	508	602	220-240/1/50	
3070406	605366	NUY60RAa	1/4	6.00	CSIR	12.9	308	1.97	478	580	693	819	220-240/1/50	
3070402	605362	NUY80RAa	1/3	8.10	CSIR		419	2.78	640	775	926	1093	220-240/1/50	
3070508	LF3070508	NLY12RAa	3/8	10.70	CSIR	17.5	594	3.4	838	1010	1201	1411	220-240/1/50	
3070400	605360	NPY12RAa	1/2	12.10	CSIR	20.0	701	4.0	851	1049	1275	1528	220-240/1/50	

Condensation temperature +55°C - Test conditions CECOMAF EN12900

Cubigel compressors



Cubigel compressors



Embraco compressors

COMPRESSORS EMBRACO R134a LBP

embraco



EM



NEK

R134a
LBP

LF code	GEV code	Model	Motor power HP	Displ. cm ³	Electric diagram	LRA	Watt	Ampere	Refrigeration power Watt				Power supply Volt/Ph/Hz
									Evaporating temp. °C	-30	-25	-20	
3070290	LF3070290	EMIE30HER	1/12	2.83	RSIR		63	0.55	43	64	89	154	220-240V/1/50-60
3070375	605017	EMY3109Z	1/10	3.97	RSIR	4.0	75	0.55	63	87	117	196	220-240/1/50
3070295	LF3070295	EMIE40HJP	1/10	3.40	RSIR		83	0.69	65	97	131	193	220/1/50-60
3070372	605313	EMY3111Z	1/8	4.53	RSIR	5.0	91	0.64	90	123	165	237	220-240/1/50
3070376	605314	EMY3115Z	1/6	6.09	RSIR		111	0.9	130	173	224	359	220-240/1/50
3070342	LF3070342	EMIE65HER	1/6	5.19	RSIR		123	1.0	109	146	191	308	220-240/1/50
3070296	LF3070296	EMYE70HEP	1/5	5.96	RSCR		116	0.64	140	183	233	372	220-240/1/50-60
3070237	LF3070237	NEK2116Z	1/5	7.40	CSIR	10	134	0.6	121	166	221	357	220-240/1/50
3070231	LF3070231	NEK1118Z	1/4L	8.40	RSCR	6.9	156	0.7	144	195	256	417	220-240/1/50
3070185	605119	NE2121Z	1/4	9.27	CSIR	12.6	204	1.6	163	217	285	465	220-240/1/50
5063911	LF5063911	NE2130Z	1/3	12.11	CSIR	13.2	260	2.1	227	298	386	613	220-240/1/50
2101596	605265	NE2134Z	1/2	14.28	CSIR	17	291	2.3	234	313	410	662	220-240/1/50
7119817	LF7119817	NEK2140Z	1/2	16.80	CSIR	19			284	377	495	801	220-240/1/50

Condensation temperature +45°C - Test conditions CECOMAF EN12900

COMPRESSORS EMBRACO R134a MBP

embraco



EM



F/GAS

R134a
MLBP

LF code	GEV code	Model	Motor power HP	Displ. cm ³	Electric diagram	Refrigeration power Watt				Power supply Volt/Ph/Hz
						Evaporating temp. °C	-10	-5	0	
3070281	LF3070281	EM30HHR	1/10	3.0	RSIR	164	206	256	312	220-240/1/50
3070282	LF3070282	EM45HHR	1/8	3.8	RSIR	208	247	311	385	220-240/1/50
5029895	LF5029895	EM55HHR	1/6	4.6	RSIR	225	326	399	485	220-240/1/50
3070162	605016	EM65HHR	1/6	5.5	CSIR	304	405	475	567	220-240/1/50
3070285	LF3070285	EGAS90HLR	1/4	7.1	CSIR	424	530	655	780	220-240/1/50
5037602	LF5037602	EGAS100HLR	1/4	7.9	CSIR	483	603	750	895	220-240/1/50
3070286	LF3070286	FFI8.5HAK	1/4	7.2	CSIR	409	509	625	755	220-240/1/50
3070287	LF3070287	FFI10HAK	1/3	9.1	CSIR	510	635	780	940	220-240/1/50
3070288	605244	FFI12HBK	1/3	11.1	CSIR	623	777	949	1136	220-240/1/50

Condensation temperature +54.4°C - Test conditions ASHRAE

Embraco compressors

COMPRESSORS EMBRACO R134a HMBP

embraco



EMT



NEK/NEU



NT



NJ

R134a
HMBP

LF code	GEV code	Model	Motor power HP	Displ. cm ³	Electric diagram	LRA	Watt	Ampere	Refrigeration power Watt				Power supply Volt/Ph/Hz
									Evaporating temp. °C	-10	-5	0 +5	
3070229	LF3070229	EMT37HDP	1/10	3.40	RSIR	4.3	137	0.8	150	189	237	298	220-240/1/50
3070107	605086	EMT45HDR	1/8	3.97	CSIR	5.0	170	1.1	153	194	241	294	220-240/1/50
3070158	605181	EMT50HDP	1/6	4.50	RSIR	6.4	190	1.2	203	257	319	390	220-240/1/50
3070218	605166	EMT6144Z	1/6	5.20	CSIR	8.5	222	1.4	250	313	388	474	220-240/1/50
3070219	605189	EMT6160Z	1/5	6.76	CSIR	9.8	300	1.7	322	403	495	600	220-240/1/50
3070172	605308	NEK6160Z	1/4L	7.28	CSIR	11.5	297	1.9	296	376	472	586	220-240/1/50
3070220	605135	EMT6170Z	1/4L	7.69	CSIR	10.4	356	2.0	358	448	550	663	220-240/1/50
3070173	605001	NEK6170Z	1/4	8.40	CSIR	12.4	347	2.1	360	453	562	689	220-240/1/50
3070174	605209	NEK6187Z	1/3	10.00	CSIR	16.1	410	2.6	402	511	642	793	220-240/1/50
3070175	605208	NEK6210Z	3/8	12.12	CSIR	16.1	497	2.8	480	619	773	942	220-240/1/50
3070326	605263	NEU6210Z	3/8	12.12	CSIR	18.5	381	2.2	531	663	825	1016	220-240/1/50
3070176	605210	NEK6212Z	1/2L	14.30	CSIR	19.5	602	3.5	562	708	881	1081	220-240/1/50
3070327	LF3070327	NEU6212Z	1/2L	14.30	CSIR	20.0	491	3.4	595	767	965	1188	220-240/1/50
3070177	605237	NEK6214Z	1/2	16.80	CSIR	21.2	775	4.7	640	814	1008	1215	220-240/1/50
3070328	LF3070328	NEU6214Z	1/2	16.80	CSIR	22.0	569	3.2	724	909	1124	1367	220-240/1/50
3070178	605079	NT6215Z	1/2	17.40	CSIR	21.0	638	3.9	661	829	1033	1282	220-240/1/50
3070179	LF3070179	NT6217Z	5/8	20.40	CSIR	25.0	773	4.7	791	991	1234	1521	220-240/1/50
3070180	LF3070180	NT6220Z	3/4	22.40	CSIR	28.0	862	5.2	852	1060	1303	1586	220-240/1/50
3070050	605254	NJ6220Z	3/4	26.20	CSIR	35.0	978	5.7	875	1147	1459	1826	220-240/1/50
3070053	LF3070053	NJ6220ZX	3/4	26.20	3 Ph	10.0	875	1.6	875	1147	1459	1826	380-440/3/50-60
3070052	605175	NJ6226Z	1	34.37	CSR	31.0	1232	6.0	1182	1531	1923	2371	220-240/1/50
3070054	LF3070054	NJ6226ZX	1	34.37	3 Ph	12.0	1190	2.3	1182	1531	1923	2371	380-440/3/50-60

Condensation temperature +55°C - Test conditions CECOMAF EN12900

Embraco compressors

COMPRESSORS EMBRACO R404a-R507 LBP

embraco



EMT



NEK/NEU



NT



NJ

R404a R507
LBP

LF code	GEV code	Model	Motor power HP	Displ. cm ³	Electric diagram	LRA	Watt	Ampere	Refrigeration power Watt				Power supply Volt/Ph/Hz
									Evaporating temp. °C	-30	-25	-20	
3070230	LF3070230	EMT2117GK	1/5	4.50	CSIR	7.7	167	1.1	164	210	265	330	220-240/1/50
3070224	605213	EMT2121GK	1/4L	5.20	CSIR	8.5	201	1.3	204	258	322	398	220-240/1/50
3070163	LF3070163	NEK2121GK	1/4L	5.45	CSIR	9.6	204	1.3	184	238	302	377	220-240/1/50
3070225	605206	EMT2125GK	1/4	5.96	CSIR	9.8	230	1.5	238	301	373	462	220-240/1/50
3070164	LF3070164	NEK2125GK	1/4	6.20	CSIR	12.4	279	2.0	213	278	354	439	220-240/1/50
3070315	605264	EMT2130GK	3/8	6.76	CSIR	12.1	270	1.7	257	326	406	500	220-240/1/50
3070165	605334	NEK2130GK	1/3	7.40	CSIR	16.0	264	2.1	254	332	422	524	220-240/1/50
3070166	605152	NEK2134GK	1/3	8.78	CSIR	16.1	328	2.3	302	394	501	611	220-240/1/50
3070325	605256	NEU2140GK	1/2L	8.78	CSIR	13.5	324	1.9	326	421	532	658	220-240/1/50
3070120	605186	NEK2150GK	1/2	12.12	CSIR	19.5	464	3.2	408	522	657	814	220-240/1/50
3070324	LF3070324	NEU2155GK	1/2	12.12	CSIR	18.0	453	2.9	432	557	705	875	220-240/1/50
3070167	605144	NEK2168GK	3/4	14.30	CSR	18.5	520	2.6	466	605	767	955	220-240/1/50
3070299	LF3070299	NEU2168GK	3/4	14.30	CSIR	22.0	519	3.1	496	642	810	1000	220-240/1/50
3070168	605304	NT2168GK	3/4	14.50	CSR	25.0	449	2.3	423	549	698	875	220-240/1/50
3070300	605164	NEU2178GK	3/4	16.80	CSR	21.0	584	2.7	586	753	947	1168	220-240/1/50
3070169	LF3070169	NT2178GK	3/4	17.40	CSR	25.0	578	3.7	513	671	854	1062	220-240/1/50
3070170	605078	NT2180GK	1	20.40	CSR	35.0	664	3.1	625	814	1034	1286	220-240/1/50
3070171	605260	NT2192GK	1.1	22.40	CSR	35.0	708	3.5	672	869	1100	1366	220-240/1/50
3070123	605174	NJ2192GJ	1.2	26.00	CSR	26.0	808	3.7	705	936	1203	1505	220-240/1/50
3070257	LF3070257	NJ2192GK Gemini with oil equalization	1.2	26.00	CSR	26.0	808	3.7	705	936	1203	1505	220-240/1/50
3070226	605235	NT2212GK	1.3	27.80	CSR	33.0	900	4.6	804	1052	1340	1670	220-240/1/50
3070045	605081	NJ2212GK	1.7	34.37	CSR	36.0	1070	5.4	961	1276	1637	2041	220-240/1/50
3070258	LF3070258	NJ2212GK Gemini with oil equalization	1.7	34.37	CSR	36.0	1070	5.4	961	1276	1637	2041	220-240/1/50
3070047	LF3070047	NJ2212GS	1.7	34.37	3 Ph	13.0	1120	1.9	961	1276	1637	2041	380-440/3/50-60

Condensation temperature +45°C - Test conditions CECOMAF EN12900

Embraco compressors

COMPRESSORS EMBRACO R404a-R507 HMBP

embraco



EMT



NEK/NEU



NT



NJ

R404a R507
HMBP

LF code	GEV code	Model	Motor power HP	Displ. cm ³	Electric diagram	LRA	Watt	Ampere	Refrigeration power Watt				Power supply Volt/Ph/Hz
									Evaporating temp. °C	-10	-5	0 +5	
3070215	605130	EMT6144GK	1/5	3.97	CSIR	7.7	284	1.6	303	370	448	535	220-240/1/50
3070216	605004	EMT6152GK	1/4L	4.50	CSIR	8.5	327	1.8	339	413	497	593	220-240/1/50
3070181	605149	NEK6144GK	1/4L	4.52	CSIR	9.6	313	1.8	314	384	465	559	220-240/1/50
3070217	605139	EMT6165GK	1/4	5.20	CSIR	10.4	394	2.2	384	471	570	682	220-240/1/50
3070182	605309	NEK6165GK	1/4	6.20	CSIR	12.4	471	2.5	443	533	639	759	220-240/1/50
3070183	605162	NEK6181GK	1/3	7.28	CSIR	12.0	515	3.0	483	587	711	853	220-240/1/50
3070184	605161	NEK6210GK	3/8	8.78	CSIR	10.1	628	3.5	571	698	849	1021	220-240/1/50
3070331	LF3070331	NEU6212GK	3/8	8.78	CSIR	19.0	533	3.4	643	788	952	1134	220-240/1/50
3070040	605125	NEK6213GK	1/2	12.12	CSIR	20.0	982	5.5	788	958	1150	1366	220-240/1/50
3070330	LF3070330	NEU6215GK	1/2	12.12	CSR	22.0	692	3.3	904	1098	1318	1566	220-240/1/50
3070191	LF3070191	NT6217GK	1/2	12.60	CSR	25.0	813	4.9	732	914	1122	1357	220-240/1/50
3070186	605178	NEK6217GK	5/8	14.30	CSR	21.5	1010	4.9	955	1157	1386	1638	220-240/1/50
3070187	605227	NT6220GK	5/8	14.50	CSR	29.5	930	4.1	861	1067	1305	1574	220-240/1/50
3070188	605132	NT6222GK	3/4	17.40	CSR	37.0	1105	5.8	1040	1294	1583	1903	220-240/1/50
3070274	LF3070274	NT6224GK	1	20.44	CSR	29.0	1271	6.0	1244	1540	1879	2258	220-240/1/50
3070189	605165	NT6226GK	1.1	22.40	CSR	38.0	1376	6.6	1412	1724	2091	2518	220-240/1/50
3070010	605030	NJ9226GK	1.1	21.70	CSR	27.5	1325	5.8	1255	1581	1944	2340	230/1/50
3070020	LF3070020	NJ9226GS	1.1	21.70	3 Ph	10.0	1118	2.4	1255	1581	1944	2340	380-440/3/50-60
3070018	605190	NJ9232GK	1.2	26.20	CSR	33.7	1673	7.2	1414	1817	2271	2771	230/1/50
3070027	S0208393	NJ9232GS	1.2	26.20	3 Ph	13.0	1615	2.9	1414	1817	2271	2771	380-440/3/50-60
3070019	605177	NJ9238GK	1.5	32.70	CSR	43.0	2109	9.6	1895	2323	2804	3347	230/1/50
3070028	LF3070028	NJ9238GS	1.5	32.70	3 Ph	22.0	2000	4.0	1895	2323	2804	3347	380-440/3/50-60

Condensation temperature +55°C - Test conditions CECOMAF EN12900

Embraco compressors

COMPRESSORS EMBRACO R290 LBP

embraco



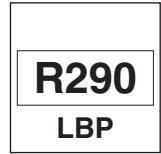
EMT



NEK/NEU



NT



LF code	GEV code	Model	Motor power HP	Displ. cm ³	Electric diagram	LRA	Watt	Ampere	Refrigeration power Watt				Power supply Volt/Ph/Hz
									Evaporating temp. °C	-30	-25	-20	
3070270	LF3070270	EMT2117U	1/5	4.50	CSIR	7.7	143	1.0	146	185	231	284	220-240/1/50
5130990	605344	EM2X1121U	1/3	5.54	RSCR		141	0.74	178	226	283	348	220-240/1/50
3070260	605215	EMT2121U	1/3	5.56	CSIR	7.7	172	1.1	196	249	307	370	220-240/1/50
3070267	LF3070267	EMT2125U	1/3	5.96	CSIR	8.5	184	1.4	212	270	338	416	220-240/1/50
3070261	605346	EMT2130U	1/2	6.76	CSIR	12.4	227	1.6	233	295	366	448	220-240/1/50
3070268	605274	NEK2134U	1/2	9.99	CSIR	14	316	1.9	318	397	494	611	220-240/1/50
3070259	605214	NEK2150U	1/2	13.54	CSIR	19.5	423	2.9	401	512	646	803	220-240/1/50
3070332	605243	NEU2155U	1/2	13.54	CSCR	17.5	390	2.6	455	576	718	882	220-240/1/50
3070269	605204	NEK2160U	3/4	16.80	CSCR	18	478	2.4	510	648	811	998	220-240/1/50
3070301	LF3070301	NEU2168U	3/4	16.80	CSCR	21.0	489	3.3	541	690	865	1067	220-240/1/50
3070487	LF3070487	NEU2178U	1	18.70	CSCR	21.0	566	1.98	625	788	979	1198	220-240/1/50
3070271	605202	NT2170U	3/4	20.44	CSCR	25.0	547	2.7	584	755	953	1179	220-240/1/50
3070272	605199	NT2180U	1	22.37	CSIR	35.0	660	3.1	657	840	1054	1297	220-240/1/50
3070311	605203	NT2210U	1	27.80	CSCR	33.0	795	4.1	822	1047	1313	1622	220-240/1/50
3070515	LF3070515	NTX2213U	1 1/2	33.42	CSCR	34.0	997	5.4	1120	1402	1724	2084	220-240/1/50

Condensation temperature +45°C - Test conditions CECOMAF EN12900

Embraco compressors

COMPRESSORS EMBRACO R290 HMBP

embraco



EMT



NEK/NEU



NT



R290
HMBP

LF code	GEV code	Model	Motor power HP	Displ. cm ³	Electric diagram	Watt	Ampere	Refrigeration power Watt				Power supply Volt/Ph/Hz
								Evaporating temp. °C	-10	-5	0 +5	
3070262	605200	EMT6144U	1/4	4.50	CSIR	184	1.1	343	416	500	596	220-240/1/50
3070263	605201	EMT6152U	1/4	5.19	CSIR	220	1.3	417	500	597	710	220-240/1/50
3070485	LF3070485	NEK6152U	1/4	5.44	CSIR	278	1.7	408	496	597	714	220-240/1/50
3070264	605198	EMT6165U	1/3	5.96	CSIR	262	1.5	483	578	689	819	220-240/1/50
3070486	LF3070486	NEK6165U	1/4	6.20	CSIR	337	2.3	469	569	683	814	220-240/1/50
3070265	LF3070265	NEK6181U	1/3	7.28	CSIR	309	2.2	538	649	779	929	220-240/1/50
3070273	LF3070273	NEK6210U	1/3	8.77	CSIR	358	2.4	653	790	950	1134	220-240/1/50
3070310	LF3070310	NEU6210U	1/3	8.77	CSIR	375	2.9	669	819	991	1186	220-240/1/50
3070333	LF3070333	NEU6212U	1/2	9.99	CSCR	404	2.8	800	968	1159	1372	220-240/1/50
3070266	605305	NEK6213U	1/2	12.11	CSIR	534	3.7	897	1085	1298	1538	220-240/1/50
3070302	LF3070302	NEU6214U	3/4	12.11	CSCR	468	2.5	946	1144	1368	1621	220-240/1/50
3070303	LF3070303	NEU6217U	3/4	14.28	CSIR	624	3.8	1040	1306	1560		220-240/1/50
3070411	LF3070411	NEU6220U	3/4	16.80	CSCR	665	3.4	1312	1581	1886	2226	220-240/1/50
3070304	LF3070304	NT6220U	3/4	17.39	CSCR	651	3.8	1233	1519	1847	2221	220-240/1/50
3070305	605331	NT6222U	1	20.44	CSIR	835	4.2	1387	1709	2074	2485	220-240/1/50
3070306	LF3070306	NT6224U	1	22.37	CSCR	844	3.7	1560	1906	2305	2760	220-240/1/50
3070307	LF3070307	NT6230U	1 1/4	27.80	CSCR	1037	5	2012	2484	3026	3632	220-240/1/50
3070516	LF3070516	NTX6238U	1 1/2	33.42	CSCR	1281	5.60	2172	2634	3152	3727	220-240/1/50

Condensation temperature +45°C - Test conditions CECOMAF EN12900

COMPRESSORS EMBRACO R600a HMBP

embraco



EMT



NEK



R600a
HMBP

LF code	GEV code	Model	Motor power HP	Displ. cm ³	Refrigeration power Watt	Power supply Volt/Ph/Hz
3070384	605083	EMT30CDP	1/12	4.50	269	220-240/1/50
5215388	605085	EMU5132Y	1/7	6.76	396	220-240/1/50
3070359	LF3070359	EMT6144Y	1/5	9.04	541	220-240/1/50
5087248	605248	NEK6160Y	1/4-	12.11	683	220-240/1/50
3070360	LF3070360	NEK6170Y	1/4+	14.28	813	220-240/1/50

Rated point - ASHRAE

Embraco compressors

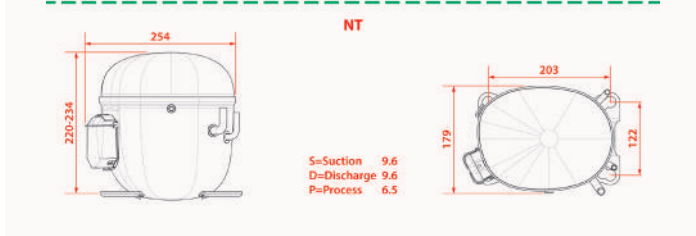
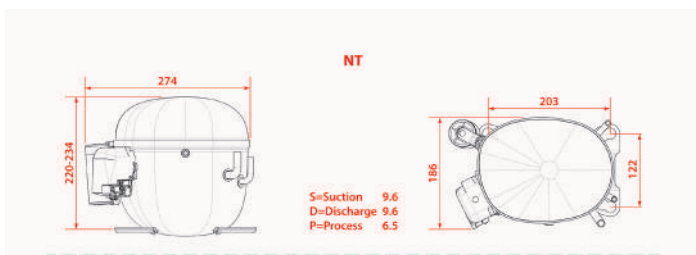
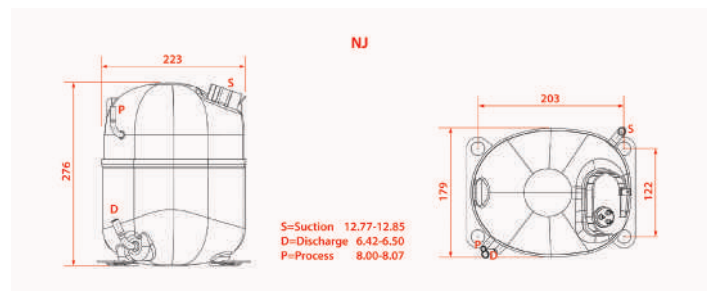
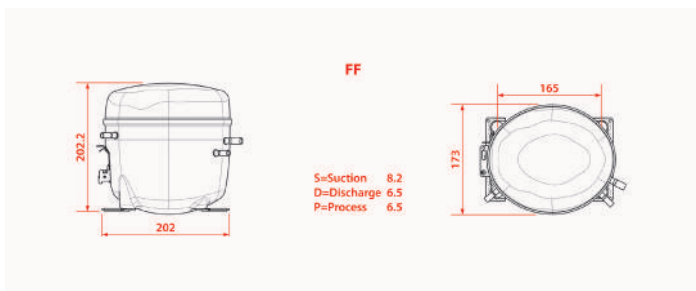
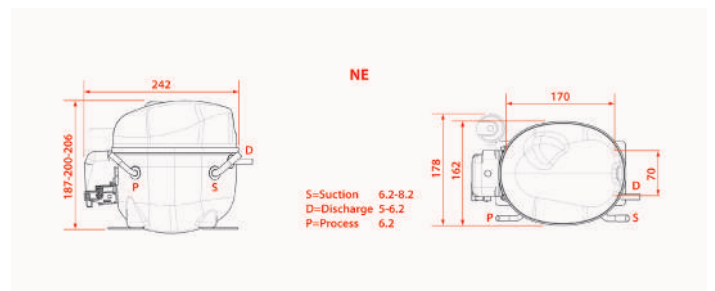
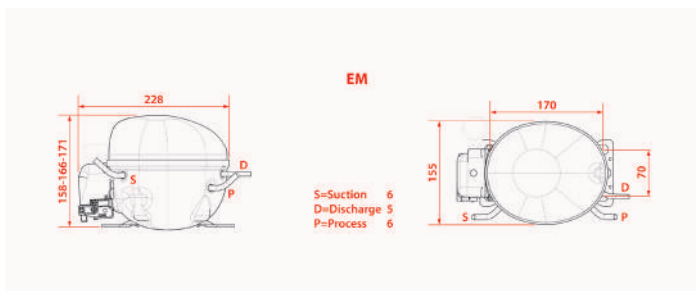
COMPRESSORS EMBRACO R600a LBP

embraco



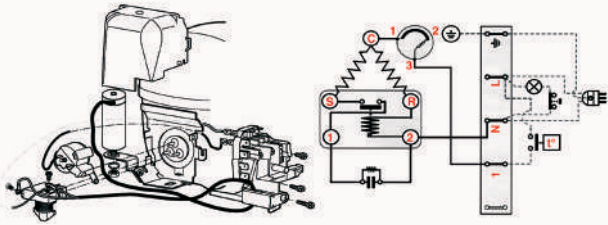
R600a
LBP

LF code	GEV code	Model	Motor power HP	Displ. cm ³	Refrigeration power Watt Rated point - ASHRAE -23.3°C/54.4°C	Power supply Volt/Ph/Hz
3070377	LF3070377	EMX26CLC	1/10	5.19	81	220-240/1/50
3070378	605315	EMX32CLC	1/10	5.96	93	220-240/1/50
3070379	605316	EMC40CLT	1/8	7.23	119	220-240/1/50
3070373	605257	EMD46CLT	1/7	7.96	132	220-240/1/50
3070381	605247	EMX55CLC	1/6	9.04	157	220-240/1/50
5163745	LF5163745	EMY3118Y	1/5	12.21	213	220-240/1/50



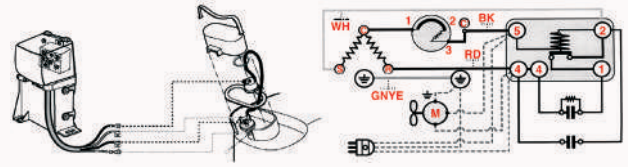
Embraco compressors

CSIR



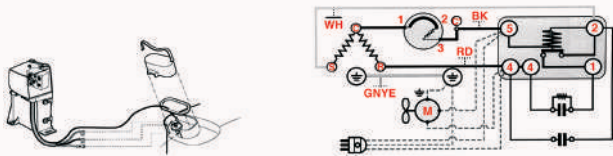
CSR BOX

External protecting device

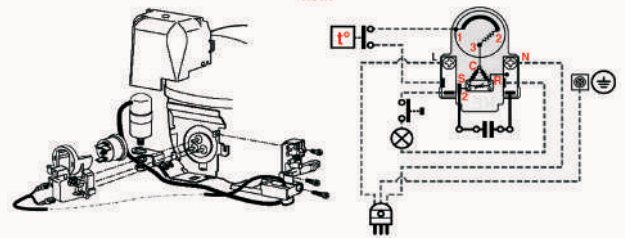


CSR BOX

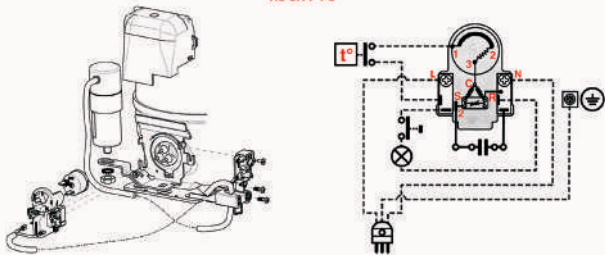
Internal protecting device



RSIR



RSCR PTC



PSC



Secop compressors

COMPRESSORS SECOP R134a HMBP



LF code	GEV code	Model	Motor power HP	Displ. cm ³	Electric diagram	LRA	Watt	Ampere	Refrigeration power Watt				Power supply Volt/Ph/Hz
									Evaporating temp. °C	-10	-5	0 +5	
3070078	605123	TL4G	1/8	3.86	CSIR	5.1	130	0.95	140	180	226	280	220-240/1/50-60
3070077	605052	TL5G	1/6	5.10	CSIR	5.7	167	1.15	178	224	278	341	220-240/1/50-60
3070227	605059	NL6.1MF	1/5L	6.13	CSIR	8.0	206	1.5	245	312	390	482	220-240/1/50-60
3070256	605055	FR6G	1/5L	6.23	CSIR	7.5	194	1.15	226	290	365	452	220-240/1/50-60
3070079	605088	FR7.5G	1/5	6.93	CSIR	8.1	220	1.3	254	325	408	505	220-240/1/50-60
3070221	605063	NL7.3MF	1/5	7.27	CSIR	8.8	250	1.74	304	385	480	591	220-240/1/50-60
3070039	605091	FR8.5G	1/4L	7.95	CSIR	8.2	261	1.55	298	381	478	592	220-240/1/50-60
3070207	605089	NL8.4MF	1/4	8.35	CSIR	10.8	290	2	353	445	553	679	220-240/1/50-60
3070070	605054	FR10G	1/4	9.05	CSIR	10	296	1.94	324	412	516	638	220-240/1/50-60
3070154	605205	FR11G	1/3L	11.15	CSIR	10	357	2.1	395	501	628	780	220-240/1/50
3070208	605060	NL10MF	1/3L	10.10	CSIR	13.1	360	2.4	441	554	687	843	220-240/1/50-60
3070071	605221	SC10G	1/3L	10.29	CSIR	11.1	322	1.85	369	486	618	764	220-240/1/50-60
3070239	605193	NL11MF	1/3	11.15	CSIR	13.1	404	2.5	485	609	756	927	220-240/1/50
3070067	605087	SC12G	1/3	12.87	CSIR	12.6	400	2.4	464	603	768	960	220-240/1/50-60
3070068	605077	SC15G	3/8	15.28	CSIR	14.8	497	3	568	728	908	1110	220-240/1/50-60
3070345	LF3070345	SC15MFX	3/8	15.28	CSIR	14.8	489	3	604	759	961	1196	220-240/1/50
3070069	605076	SC18G	1/2	17.69	CSIR	18.6	568	3.25	684	870	1087	1337	220-240/1/50-60
3070349	LF3070349	SC18MFX	1/2	17.69	CSIR	18.6	585	3.64	709	894	1113	1370	220-240/1/50-60
3070155	605194	SC21G	5/8	20.95	CSR	21.8	643	3.25	792	1012	1268	1560	220-240/1/50-60
7112530	LF7112530	SC21MFX	5/8	20.95	CSIR	23.6	680	4.43	840	1052	1303	1596	220-240/1/50
3070358	LF3070358	GS26MFX	3/4	26.30	CSR	20.2	776	3.5	1266	1591	1970	2411	220-240/1/50
5064841	LF5064841	GS34MFX	1	33.80	CSR	25.7	1008	5.0	1648	2063	2550	3115	220-240/1/50

Condensation temperature +55°C - Test conditions CECOMAF EN12900

Secop compressors

COMPRESSORS SECOP R404a-R507 LBP



LF code	GEV code	Model	Motor power HP	Displ. cm ³	Electric diagram	LRA	Watt	Ampere	Refrigeration power Watt				Power supply Volt/Ph/Hz
									Evaporating temp. °C	-30	-25	-20	
3070350	LF3070350	TL4CL	1/6L	3.86	CSIR	5.7	147	1.1	110	142	182	286	220-240/1/50
3070289	LF3070289	TL4.5CLX	1/6	4.63	CSIR	7.5	188	1.4	139	181	232	366	220-240/1/50
3070214	LF3070214	FR6CL	1/5	6.23	CSIR	8.2	253	1.5	189	243	307	473	220-240/1/50
3070280	LF3070280	FR7.5CL	1/4L	6.93	CSIR	9.1	280	1.8	202	262	333	515	220-240/1/50
3070348	LF3070348	NL7CLX	1/4L	7.27	CSIR	10.4	284	1.7	263	340	430	657	220-240/1/50
3070082	605080	FR8.5CL	1/4	7.95	CSIR	11.5	331	2.0	222	290	372	577	220-240/1/50
3070344	LF3070344	NL8.4CLX	1/4	8.35	CSIR	12.1	317	2.2	287	370	468	715	220-240/1/50
3070159	LF3070159	SC10CL	1/3	10.29	CSIR	12.6	370	2.3	258	365	489	800	220-240/1/50
3070297	605179	SC10CLX	1/3	10.29	CSIR	14.8	369	2.4	255	360	483	789	220-240/1/50
3070073	605057	SC12CL	3/8	12.87	CSIR	14.8	468	2.9	353	490	650	1048	220-240/1/50
3070292	605311	SC12CLX.2	3/8	12.87	CSIR	19.6	495	3.3	399	522	666	1026	220-240/1/50
3070074	605058	SC15CL	1/2	15.28	CSIR	18.6	584	3.6	452	615	792	1208	220-240/1/50
3070293	605330	SC15CLX.2	1/2	15.28	CSIR	19.6	588	3.8	486	637	813	1251	220-240/1/50
3070075	605303	SC18CL	5/8	17.69	CSR	20.0	643	3.7	542	715	918	1425	220-240/1/50
3070294	605056	SC18CLX.2	5/8	17.68	CSIR	23.5	708	4.4	595	780	995	1532	220-240/1/50
3070076	605082	SC21CL	7/8	20.95	CSR	23.4	733	3.9	617	813	1042	1606	220-240/1/50
3070356	LF3070356	GS26CLX	1.2	26.30	CSR	25.7	927	4.0	949	1240	1580	2427	220-240/1/50
3070362	LF3070362	GS34CLX	1.7	33.80	CSR	40.0	1245	6.3	1330	1715	2165	3289	220-240/1/50

Condensation temperature +45°C - Test conditions CECOMAF EN12900

Secop compressors

COMPRESSORS SECOP R404a-R507 HMBP



LF code	GEV code	Model	Motor power HP	Displ. cm ³	Electric diagram	LRA	Watt	Ampere	Refrigeration power Watt				Power supply Volt/Ph/Hz	
									Evaporating temp. °C					
									-10	-5	0	+5		
3070347	LF3070347	NL6.1MLX	1/5	6.13	CSIR	16.6	335	2.4	530	650	789	946	220-240/1/50	
5076895	LF5076895	FR6DL	1/4	6.23	CSIR	10	388	2.2	471	576	698	840	220-240/1/50	
3070361	LF3070361	NF7MLX	1/4P	7.27	CSIR	20	435	3.2	635	777	940	1125	220-240/1/50 208-230/1/60	
3070353	LF3070353	SC10MLX	1/3	10.29	CSIR	18.4	556	3.8	855	1051	1278	1537	220-240/1/50 208-230/1/60	
3070352	605336	SC12MLX	1/2	12.87	CSIR	23.4	667	4.3	1038	1272	1542	1852	220-240/1/50 208-230/1/60	
3070346	605146	SC15MLX	5/8	15.28	CSIR	23.5	845	5.0	1285	1574	1909	2293	220-240/1/50	
3070355	LF3070355	SC18MLX	3/4	17.68	CSR	23.6	931	4.7	1497	1832	2220	2665	220-240/1/50	
3070351	605113	SC18MLX.3	3/4	17.68	CSR	23.6	952	4.6	1557	1898	2292	2743	220-240/1/50	
3070354	LF3070354	GS21MLX	1	21.20	CSR	24.4	1046	4.95	1748	2164	2650	3211	220-240/1/50	
2106262	LF2106262	GS26MLX	1.2	26.30	CSR	34.6	1299	6.6	2365	2854	3401	3990	220-240/1/50	
3070357	LF3070357	GS34MLX	1.5	33.80	CSR	45.7	1885	9.95	2953	3575	4283	5088	220-240/1/50	

Condensation temperature +55°C - Test conditions CECOMAF EN12900

COMPRESSORS SECOP R290 LBP



LF code	GEV code	Model	Motor power HP	Displ. cm ³	Electric diagram	LRA	Watt	Ampere	Refrigeration power Watt					Power supply Volt/Ph/Hz	
									Evaporating temp. °C						
									-30	-25	-20	-15	-10		
3070334	605259	TL5CN	1/5	5.08	CSIR	5.7	167	1.2	143	183	230	283	338	220-240/1/50	
3070335	LF3070335	NL7CN	1/3	7.27	CSIR	10.4	229	1.6	223	290	368	458	539	220-240/1/50	
3070336	LF3070336	NL9CN	3/8	8.35	CSIR	10.4	259	1.7	259	335	423	526	643	220-240/1/50	
3070389	605349	NLE11CNL	1/2	11.15	CSIR	13.8	347	2.15	359	456	570	700	937	220-240/1/50	
3070393	605352	NLE12.6CNL	1/2	12.55	CSIR	12.5	371	2.17	420	524	647	792	1040	220-240/1/50	
3070339	605261	SC12CNX.2	1/2	12.87	CSIR	13.1	393	2.4	346	453	578	725	895	220-240/1/50	
3070329	LF3070329	SC15CNX.2	5/8	15.28	CSIR	14.8	462	2.9	434	560	714	900	1177	220-240/1/50	
3070308	LF3070308	SC18CNX.2	3/4	17.69	CSIR	19.5	559	3.6	531	689	863	1057	1284	220-240/1/50	
3070338	605267	SC21CNX.2	1	20.95	CSIR	23.5	647	4.0	654	828	1020	1233	1481	220-240/1/50	

Condensation temperature +45°C - Test conditions CECOMAF EN12900

Secop compressors

COMPRESSORS SECOP R290 MLBP

SECOP



DLE



NLE



R290
MLBP

LF code	GEV code	Model	Motor power HP	Displ. cm ³	Electric diagram	LRA	Watt	Ampere	Refrigeration power Watt					Power supply Volt/Ph/Hz
									Evaporating temp. °C	-30	-25	-20	-15	
3070390	605350	DLE4CN	1/6	4.00	CSIR	5.4	94	0.75	128	164	207	255	309	220-240/1/50
3070385	605268	DLE4.8CN	1/5	4.80	CSIR	6.5	150	1.0	150	196	247	304	369	220-240/1/50
3070386	605347	DLE5.7CN	1/4	5.70	CSIR	8.8	190	1.24	203	253	309	376	454	220-240/1/50
3070387	605269	DLE6.5CN	1/4	6.50	CSIR	9.3	194	1.2	211	266	330	405	493	220-240/1/50
3070394	605353	DLE7.5CN	1/3	7.48	CSIR	9.3	243	1.54	261	315	390	479	583	220-240/1/50
3070388	605348	NLE8.8CN	3/8	8.76	CSIR	11.3	275	1.73	304	376	462	564	683	220-240/1/50
5128371	605359	NLE10CN	3/8	10.09	CSIR	12.0	328	2.1	343	431	571	661	804	220-240/1/50

Condensation temperature +45°C - Test conditions CECOMAF EN12900

INVERTER COMPRESSORS SECOP R290 LBP/MBP

SECOP



R290
LBP

R290
MLBP

LF code	GEV code	Model	Displacement cm ³	Electric diagram	Power supply Volt/Ph/Hz
3070496	LF3070496	SECOP DLV4.0CN	4.00	VARIABLE SPEED DRIVE	220-240/1/50-60
3070497	LF3070497	SECOP DLV5.7CN	5.70	VARIABLE SPEED DRIVE	220-240/1/50-60
3070500	LF3070500	SECOP NLV12.6CN	12.6	VARIABLE SPEED DRIVE	220-240/1/50-60
3070498	LF3070498	SECOP SLVE18CN	17.70	VARIABLE SPEED DRIVE	220-240/1/50-60

COMPRESSORS SECOP R600a LBP

SECOP



R600a
LBP

LF code	GEV code	Model	Motor power HP	Displ. cm ³	Refrigeration power Watt	Power supply Volt/Ph/Hz
D070005	LFD070005	TLES7,5KK.3	1/6	7,50	Rated point - ASHRAE -23.3°C/54.4°C 126	220-240/1/50
D070006	LFD070006	TLES8.7KK3.3	1/5	8,70	147	220-240/1/50
D070010	LFD070010	NLX15 KK.3	1/3+	15,00	254	220-240/1/50

Secop compressors

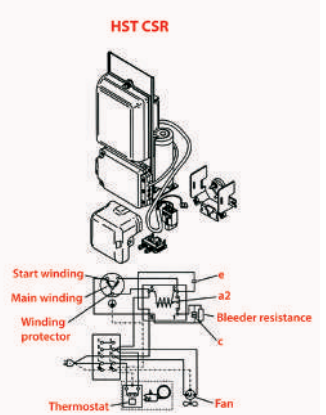
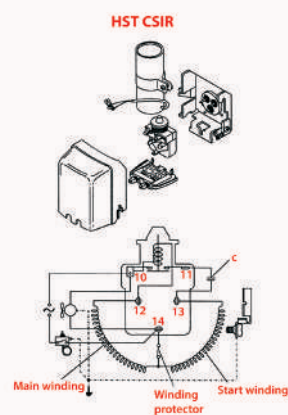
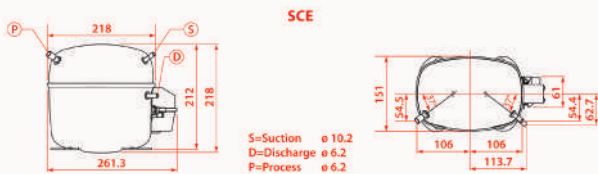
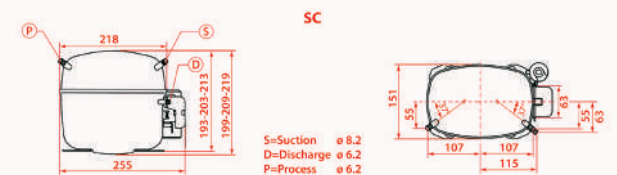
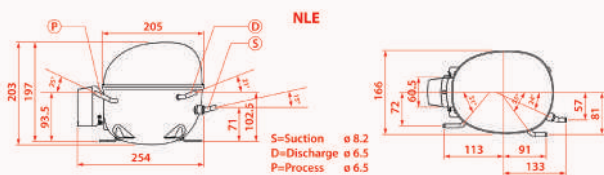
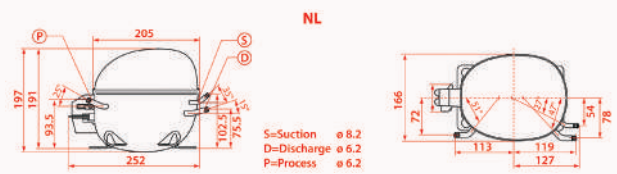
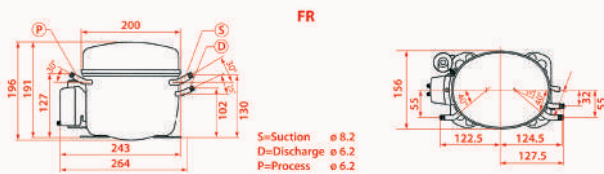
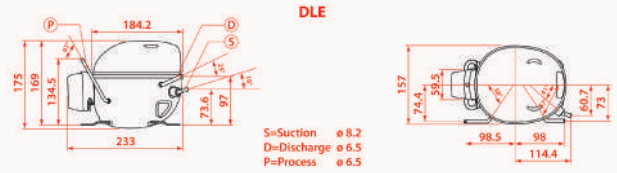
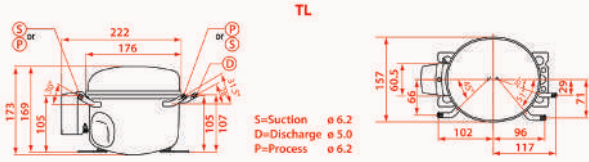
SPARE PARTS FOR COMPRESSORS SECOP

SECOP



LF code	GEV code	Secop Code	Description
5068595	381087	103N0021	PTC starting device
5032701	LF5032701	117U6001	starting relay
5065155	381531	117U6002	starting relay
5031255	380483	117U6003	starting relay
5050000	380077	117U6004	starting relay
5059726	380078	117U6005	starting relay
5036284	380079	117U6010	starting relay
5112516	381548	117U6013	starting relay
5036285	380484	117U6015	starting relay
5112512	381528	117U6016	starting relay
5036287	380058	117U6019	starting relay
5112515	381530	117U6022	starting relay
2102448	365063	117U5014	starting capacitor 60 μ F
5036282	365061	117U5015	starting capacitor 80 μ F

Secop compressors



Tecumseh compressors

COMPRESSORS TECUMSEH R134a HMBP



THB



AE



CAJ/S-TAJ/S



CAJ/R-TAJ/R



LF code	GEV code	Model	Motor power HP	Displ. cm ³	Electric diagram	LRA	W	A	Refrigeration power Watt				Power supply Volt/Ph/Hz	Connection
									-10	-5	0	+5		
3070232	LF3070232	THB4410YFZ	1/10	2.7	CSIR	5	94	0.7	124	156	196	252	220-240/1/50	
3070234	LF3070234	THB4413YFZ	1/8	3.6	CSIR	7	139	0.9	169	211	262	327	220-240/1/50	
3070233	LF3070233	THB4415YFZ	1/8	4.2	CSIR	7	156	1.1	198	245	302	388	220-240/1/50	
3070200	605184	THB4419YFZ	1/6	5.2	CSIR	8.5	172	1.3	241	299	368	464	220-240/1/50	
3070235	LF3070235	THB4422YFZ	1/5	6.1	CSIR	9	206	1.4	308	375	454	566	220-240/1/50	
3070247	605249	AE4425Y	1/5	6.7	CSIR	10.5	279	1.6	324	414	519	644	220-240/1/50	
3070241	605173	AE4430Y	1/4	8.0	CSIR	11.5	312	2.0	382	488	613	760	220-240/1/50	
3070242	605188	AE4440Y	1/3	10.3	CSIR	13.5	412	2.4	508	637	790	968	220-240/1/50	
3070243	605095	AE4450Y	3/8	13.2	CSIR	17	432	2.7	672	843	1042	1273	220-240/1/50	
3070244	605167	AE4456Y	1/2	14.5	CSIR	17.5			737	921	1133	1380	220-240/1/50	
3070254	605098	AE4460Y	1/2	15.1	CSR	18.5	466	2.5	774	967	1190	1449	220-240/1/50	
3070145	605160	CAJ4461Y/R	1/2	18.3	CSIR	19	728	4.1	756	977	1243	1560	220-240/1/50	with valve
3070313	LF3070313	CAJ4476Y/S	5/8	21.8	CSIR	24	849	4.7	888	1163	1484	1856	220-240/1/50	brazed
3070146	LF3070146	CAJ4476Y/R	5/8	21.8	CSIR	24	849	4.7	888	1163	1484	1856	220-240/1/50	with valve
2104055	605172	CAJ4492Y/S	3/4	26.0	CSIR	26	1008	5.6	1115	1452	1847	2307	220-240/1/50	brazed
3070147	605329	CAJ4492Y/R	3/4	26.0	CSIR	26	1008	5.6	1115	1452	1847	2307	220-240/1/50	with valve
3070314	605171	CAJ4511Y/S	1	32.7	CSR	29	1199	5.3	1496	1913	2397	2956	220-240/1/50	brazed
3070148	LF3070148	CAJ4511Y/R	1	32.7	CSR	29	1199	5.3	1496	1913	2397	2956	220-240/1/50	with valve
3070149	LF3070149	TAJ4492Y/R	3/4	26.0	3 Ph	12.6	929	1.6	1115	1452	1847	2307	400/3/50	with valve
3070316	605332	TAJ4511Y/S	1	32.7	3 Ph	13	1199	2.1	1496	1913	2397	2956	400/3/50	brazed
3070150	605273	TAJ4511Y/R	1	32.7	3 Ph	13	1199	2.1	1496	1913	2397	2956	400/3/50	with valve

Condensation temperature +45°C - Test conditions CECOMAF EN12900

Tecumseh compressors

COMPRESSORS TECUMSEH R134a HMBP - 2



FH/S-TFH/S-TAG/S



FH/R-TFH/R-TAG/R



LF code	GEV code	Model	Motor power HP	Displ. cm ³	Electric diagram	LRA	W	A	Refrigeration power Watt				Power supply Volt/Ph/Hz	Connection
									-10	-5	0	+5		
5077061	LF5077061	FH4518Y/S	1.5	53.20	CSR	46.0	1300	6.7	2049	2831	3688	5039	220-240/1/50	brazed
2101211	LF2101211	FH4518Y/R	1.5	53.20	CSR	46.0	1300	6.7	2049	2831	3688	5039	220-240/1/50	with valves
5077063	LF5077063	TFH4518Y/S	1.5	53.20	3Ph	24.0	1260	2.7	2049	2831	3688	5039	400/3/50	brazed
2102058	LF2102058	TFH4518Y/R	1.5	53.20	3Ph	24.0	1260	2.7	2049	2831	3688	5039	400/3/50	with valves
5077066	LF5077066	FH4525Y/S	2	74.25	CSR	55.0	1780	8.3	2913	3822	4884	6654	220-240/1/50	brazed
5077067	LF5077067	FH4525Y/R	2	74.25	CSR	55.0	1780	8.3	2913	3822	4884	6654	220-240/1/50	with valves
5077064	LF5077064	TFH4525Y/S	2	74.25	3Ph	24.0	1730	3.5	2913	3822	4884	6654	400/3/50	brazed
5077065	LF5077065	TFH4525Y/R	2	74.25	3Ph	24.0	1730	3.5	2913	3822	4884	6654	400/3/50	with valves
5077070	LF5077070	TAG4528Y/S	2.5	90.20	3Ph	40.0	1750	3.6	2693	3831	5174	7438	400/3/50	brazed
5077071	LF5077071	TAG4528Y/R	2.5	90.20	3Ph	40.0	1750	3.6	2693	3831	5174	7438	400/3/50	with valves
5077073	LF5077073	TAG4534Y/S	2.75	100.70	3Ph	41.0	2000	4.0	3569	4849	6353	8873	400/3/50	brazed
5077074	LF5077074	TAG4534Y/R	2.75	100.70	3Ph	41.0	2000	4.0	3569	4849	6353	8873	400/3/50	with valves
5077075	LF5077075	TAG4537Y/S	3	112.50	3Ph	42.5	2200	4.2	4112	5534	7210	10029	400/3/50	brazed
5077076	LF5077076	TAG4537Y/R	3	112.50	3Ph	42.5	2200	4.2	4112	5534	7210	10029	400/3/50	with valves
5077078	LF5077078	TAG4543Y/S	3.5	124.40	3Ph	43.5	2380	4.4	4281	5791	7625	10785	400/3/50	brazed
5077079	LF5077079	TAG4543Y/R	3.5	124.40	3Ph	43.5	2380	4.4	4281	5791	7625	10785	400/3/50	with valves

Condensation temperature +45°C - Test conditions CECOMAF EN12900

Tecumseh compressors

COMPRESSORS TECUMSEH R404a-R507 LBP



AE



CAJ/S-TAJ/S



CAJ/R-TAJ/R

R404a R507
LBP

LF code	GEV code	Model	Motor power HP	Displ. cm ³	Electric diagram	LRA	W	A	Refrigeration power Watt				Power supply Volt/Ph/Hz	Connection
									-30 °C	-25 °C	-20 °C	-10 °C		
3070245	LF3070245	AE2415Z	1/3	7.3	CSIR	12.5	290	1.85	251	327	419	660	220-240/1/50	
3070382	LF3070382	AE1420Z	3/8	9.4	CSIR	18.5	340	2.5	334	435	555	872	220-240/1/50	
3070240	605276	AE2425Z	1/2	12.0	CSIR	18.4	460	2.3	450	587	752	1184	220-240/1/50	
3070318	605157	CAJ2428Z/S	5/8	15.2	CSR	22	535	2.4	434	589	773	1246	220-240/1/50	brazed
3070094	LF3070094	CAJ2428Z/R	5/8	15.2	CSR	22	535	2.4	434	589	773	1246	220-240/1/50	with valve
3070319	LF3070319	CAJ2432Z/S	3/4	18.3	CSR	21	563	2.5	542	738	971	1247	220-240/1/50	brazed
3070095	605238	CAJ2432Z/R	3/4	18.3	CSR	21	563	2.5	542	738	971	1247	220-240/1/50	with valve
3070323	LF3070323	CAJ2440Z/S	1	22.8	CSR	27	675	3	647	870	1135	1807	220-240/1/50	brazed
3070096	LF3070096	CAJ2440Z/R	1	22.8	CSR	27	675	3	647	870	1135	1807	220-240/1/50	with valve
3070320	605306	CAJ2446Z/S	1.2	26.1	CSR	29	847	3.8	859	1133	1451	2241	220-240/1/50	brazed
3070097	605134	CAJ2446Z/R	1.2	26.1	CSR	29	847	3.8	859	1133	1451	2241	220-240/1/50	with valve
2101934	605320	CAJ2464Z/S	1.5	34.4	CSR	40	1107	5.2	1116	1459	1864	2882	220-240/1/50	brazed
3070098	605136	CAJ2464Z/R	1.5	34.4	CSR	40	1107	5.2	1116	1459	1864	2882	220-240/1/50	with valve
3070321	LF3070321	TAJ2446Z/S	1.2	26.1	3 Ph	13	873	1.5	859	1133	1451	2241	400/3/50	brazed
3070099	LF3070099	TAJ2446Z/R	1.2	26.1	3 Ph	13	873	1.5	859	1133	1451	2241	400/3/50	with valve
3070322	605187	TAJ2464Z/S	1.5	34.4	3 Ph	16	1100	2.1	1116	1459	1864	2882	400/3/50	brazed
3070100	605324	TAJ2464Z/R	1.5	34.4	3 Ph	16	1100	2.1	1116	1459	1864	2882	400/3/50	with valve

Condensation temperature +40°C - Test conditions CECOMAF EN12900

Tecumseh compressors

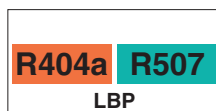
COMPRESSORS TECUMSEH R404a-R507 LBP - 2



FH/S-TFH/S-TAG/S



FH/R-TFH/R-TAG/R



LF code	GEV code	Model	Motor power HP	Displ. cm ³	Electric diagram	LRA	W	A	Refrigeration power Watt				Power supply Volt/Ph/Hz	Connections
									-30 °C	-25 °C	-20 °C	-10 °C		
5076960	LF5076960	FH2480Z/R	2	53,20	CSR	68.0	1680	7.4	1587	2303	2701	4105	220-240/1/50	with valves
2102553	LF2102553	TFH2480Z/S	2	53,20	3Ph	23.0	1590	2.9	1587	2303	2701	4105	400/3/50	brazed
5076947	LF5076947	TFH2480Z/R	2	53,20	3Ph	23.0	1590	2.9	1587	2303	2701	4105	400/3/50	with valves
5077091	LF5077091	FH2511Z/S	3	74,25	CSR	81.0	2130	11.0	2109	3155	3762	6013	220-240/1/50	brazed
5077092	LF5077092	FH2511Z/R	3	74,25	CSR	81.0	2130	11.0	2109	3155	3762	6013	220-240/1/50	with valves
2101708	605335	TFH2511Z/S	3	74,25	3Ph	28.0	1970	3.8	2109	3155	3762	6013	400/3/50	brazed
2102773	LF2102773	TFH2511Z/R	3	74,25	3Ph	28.0	1970	3.8	2109	3155	3762	6013	400/3/50	with valves
5076948	LF5076948	TAG2516Z/S	4	112,50	3Ph	45.0	2800	4.6	3149	4623	5512	8851	400/3/50	brazed
5076950	LF5076950	TAG2516Z/R	4	112,50	3Ph	45.0	2800	4.6	3149	4623	5512	8851	400/3/50	with valves
5076951	LF5076951	TAG2522Z/S	5	134,80	3Ph	63.0	3400	6.0	4127	5855	6903	10853	400/3/50	brazed
5076952	LF5076952	TAG2522Z/R	5	134,80	3Ph	63.0	3400	6.0	4127	5855	6903	10853	400/3/50	with valves

Condensation temperature +40°C - Test conditions CECOMAF EN12900

Tecumseh compressors

COMPRESSORS TECUMSEH R404a-R507 HMBP



AE



CAJ/S-TAJ/S



CAJ/R-TAJ/R

R404a R507
HMBP

LF code	GEV code	Model	Motor power HP	Displ. cm ³	Electric diagram	LRA	W	A	Refrigeration power Watt				Power supply Volt/Ph/Hz	Connection
									-10	-5	0	+5		
3070248	605021	AE4425Z	1/5	4.2	CSIR	11	243	1.7	326	407	502	613	220-240/1/50	
3070249	605025	AE4430Z	1/4	5.2	CSIR	11.4	297	1.9	404	500	611	740	220-240/1/50	
3070250	605151	AE4440Z	1/3	6.7	CSIR	15.5	382	2.5	546	676	826	1000	220-240/1/50	
3070251	605023	AE4450Z	3/8	8.8	CSIR	17.5	530	3.3	720	885	1074	1289	220-240/1/50	
3070252	605219	AE4460Z	1/2	10.3	CSIR	19.4	590	3.7	875	1062	1275	1519	220-240/1/50	
3070253	605158	AE4470Z	1/2	12.0	CSR	19.3	686	3.2	1035	1251	1495	1773	220-240/1/50	
3070317	605026	CAJ9480Z/S	5/8	15.2	CSR	22.6	780	3.4	1159	1434	1752	2117	220-240/1/50	brazed
3070130	605325	CAJ9480Z/R	5/8	15.2	CSR	22.6	780	3.4	1159	1434	1752	2117	220-240/1/50	with valve
5039008	605032	CAJ9510Z/S	1	18.3	CSR	30	953	4.5	1453	1794	2187	2639	220-240/1/50	brazed
3070131	605327	CAJ9510Z/R	1	18.3	CSR	30	953	4.5	1453	1794	2187	2639	220-240/1/50	with valve
5010941	605070	CAJ9513Z/S	1.1	24.2	CSR	33.5	1129	5.6	1827	2290	2819	3422	220-240/1/50	brazed
3070132	LF3070132	CAJ9513Z/R	1.1	24.2	CSR	33.5	1129	5.6	1827	2290	2819	3422	220-240/1/50	with valve
2101715	605027	CAJ4517Z/S	1.2	25.9	CSR	32	1344	6.0	2070	2552	3104	3736	220-240/1/50	brazed
3070133	605328	CAJ4517Z/R	1.2	25.9	CSR	32	1344	6.0	2070	2552	3104	3736	220-240/1/50	with valve
5021390	605065	CAJ4519Z/S	1.5	34.4	CSR	51	1740	8.6	2699	3342	4069	4896	220-240/1/50	brazed
3070134	605326	CAJ4519Z/R	1.5	34.4	CSR	51	1740	8.6	2699	3342	4069	4896	220-240/1/50	with valve
3070135	LF3070135	TAJ9580Z/R	5/8	15.2	3 Ph	13	781	1.6	1464	1791	2351	3093	400/3/50	with valve
3070136	LF3070136	TAJ9510Z/R	1	18.3	3 Ph	13	981	1.9	1453	1794	2187	2639	400/3/50	with valve
3070137	605236	TAJ9513Z/R	1.1	24.2	3 Ph	13	1087	2.2	1827	2290	2819	3422	400/3/50	with valve
3070138	LF3070138	TAJ4517Z/R	1.2	25.9	3 Ph	18	1343	2.7	2070	2552	3104	3736	400/3/50	with valve
5068808	LF5068808	TAJ4519Z/S	1.5	34.4	3 Ph	22	1732	3.6	2699	3342	4069	4896	400/3/50	brazed
3070139	605277	TAJ4519Z/R	1.5	34.4	3 Ph	22	1732	3.6	2699	3342	4069	4896	400/3/50	with valve

Condensation temperature +45°C - Test conditions CECOMAF EN12900

Tecumseh compressors

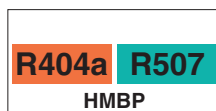
COMPRESSORS TECUMSEH R404a-R507 HMBP - 2



FH/S-TFH/S



FH/R-TFH/R

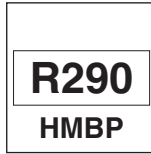


LF code	GEV code	Model	Motor power HP	Displ. cm ³	Electric dia-gram	LRA	W	A	Refrigeration power Watt				Power supply Volt/Ph/Hz	Connection
									-10	-5	0	+5		
5019103	LF5019103	FH4522Z/S	1.8	39.95	CSR	46.0	1740	7.8	2617	3380	4257	5749	220-240/1/50	brazed
3070312	LF3070312	FH4522Z/R	1.8	39.95	CSR	46.0	1740	7.8	2617	3380	4257	5749	220-240/1/50	with valves
5077022	LF5077022	TFH4522Z/S	1.8	39.95	3Ph	24.0	1750	3.6	2617	3380	4257	5749	400/3/50	brazed
5077017	LF5077017	TFH4522Z/R	1.8	39.95	3Ph	24.0	1750	3.6	2617	3380	4257	5749	400/3/50	with valves
5077025	LF5077025	FH4524/S	2	43.50	CSR	49.0	1970	8.8	3048	3889	4833	6388	220-240/1/50	brazed
5077026	LF5077026	FH4524/R	2	43.50	CSR	49.0	1970	8.8	3048	3889	4833	6388	220-240/1/50	with valves
5077027	LF5077027	TFH4524Z/S	2	43.50	3Ph	24.0	1970	3.8	3048	3889	4833	6388	400/3/50	brazed
2102343	LF2102343	TFH4524Z/R	2	43.50	3Ph	24.0	1970	3.8	3048	3889	4833	6388	400/3/50	with valves
5077086	LF5077086	FH4531Z/S	2.5	56.65	CSR	66.0	2550	11.1	3968	4991	6143	8070	220-240/1/50	brazed
5039421	LF5039421	FH4531Z/R	2.5	56.65	CSR	66.0	2550	11.1	3968	4991	6143	8070	220-240/1/50	with valves
5077028	605037	TFH4531Z/S	2.5	56.65	3Ph	27.0	2435	4.3	3968	4991	6143	8070	400/3/50	brazed
5077030	LF5077030	TFH4531Z/R	2.5	56.65	3Ph	27.0	2435	4.3	3968	4991	6143	8070	400/3/50	with valves
5077089	605042	FH4540Z/S	3	74.25	CSR	88.0	3260	15.4	5173	6437	7861	10245	220-240/1/50	brazed
5067384	LF5067384	FH4540Z/R	3	74.25	CSR	88.0	3260	15.4	5173	6437	7861	10245	220-240/1/50	with valves
5077033	LF5077033	TFH4540Z/S	3	74.25	3Ph	44.0	3250	6.8	5173	6437	7861	10245	400/3/50	brazed
5077034	LF5077034	TFH4540Z/R	3	74.25	3Ph	44.0	3250	6.8	5173	6437	7861	10245	400/3/50	with valves
5077031	LF5077031	TAG4546Z/S	4	90.20	3Ph	40.0	3371	6.0	5457	7122	9061	12401	400/3/50	brazed
5077035	LF5077035	TAG4546Z/R	4	90.20	3Ph	40.0	3371	6.0	5457	7122	9061	12401	400/3/50	with valves
5077036	LF5077036	TAG4553Z/S	4.5	100.70	3Ph	45.0	3847	6.6	6220	8062	10202	13895	400/3/50	brazed
5077037	LF5077037	TAG4553Z/R	4.5	100.70	3Ph	45.0	3847	6.6	6220	8062	10202	13895	400/3/50	with valves
5077040	LF5077040	TAG4561Z/S	5	112.50	3Ph	51.0	4338	6.8	7107	9082	11363	15282	400/3/50	brazed
5077043	LF5077043	TAG4561Z/R	5	112.50	3Ph	51.0	4338	6.8	7107	9082	11363	15282	400/3/50	with valves
5077044	LF5077044	TAG4568Z/S	6	124.40	3Ph	54.0	4868	7.9	8477	10702	13253	17588	400/3/50	brazed
5077045	LF5077045	TAG4568Z/R	6	124.40	3Ph	54.0	4868	7.9	8477	10702	13253	17588	400/3/50	with valves
5077046	LF5077046	TAG4573Z/S	6.5	134.80	3Ph	56.0	5406	9.1	9156	11508	14224	18870	400/3/50	brazed
5077051	LF5077051	TAG4573Z/R	6.5	134.80	3Ph	56.0	5406	9.1	9156	11508	14224	18870	400/3/50	with valves

Condensation temperature +45°C - Test conditions CECOMAF EN12900

Tecumseh compressors

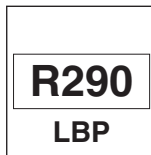
COMPRESSORS TECUMSEH R290 HMBP



LF code	GEV code	Model	Motor power HP	Displ. cm ³	Electric diagram	LRA	Watt	A	Refrigeration power Watt				Power supply Volt/Ph/Hz	
									Evaporating temp. °C					
									-10	-5	0	+5		
3070517	LF3070517	AE4425U	1/5	5.02	CSIR	9.5	188	1.55	341	420	512	615	220-240/1/50	
3070518	LF3070518	AE4430U	1/4	6.12	CSIR	11	239	1.88	437	540	658	791	220-240/1/50	
3070519	LF3070519	AE4440U	1/3	8.02	CSIR	12.5	308	2.38	578	706	854	1023	220-240/1/50	
3070520	LF3070520	AE4450U	3/8	10.33	CSIR	14.5	404	3.14	780	948	1143	1366	220-240/1/50	
3070521	LF3070521	AE4460U	1/2	12.01	CSIR	17.5	468	3.66	841	1044	1277	1544	220-240/1/50	

Condensation temperature +45°C - Test conditions CECOMAF EN12900

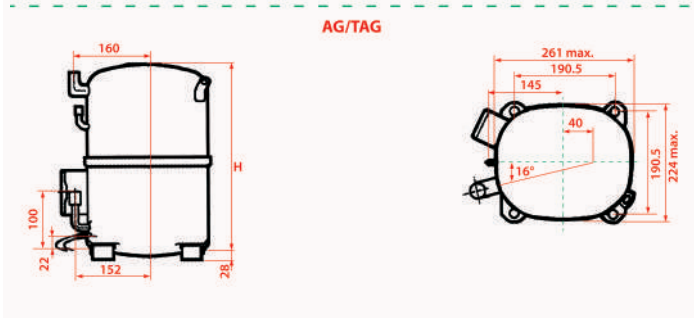
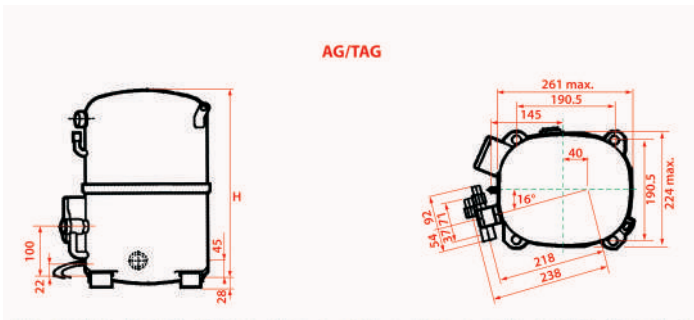
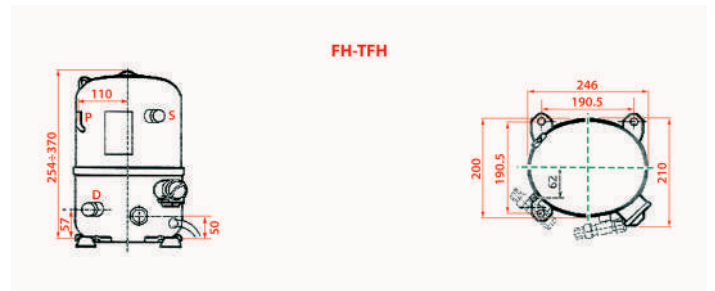
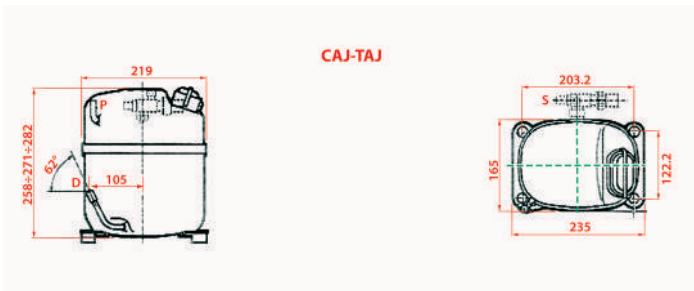
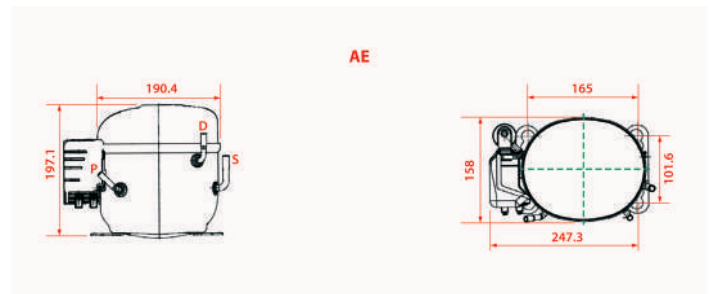
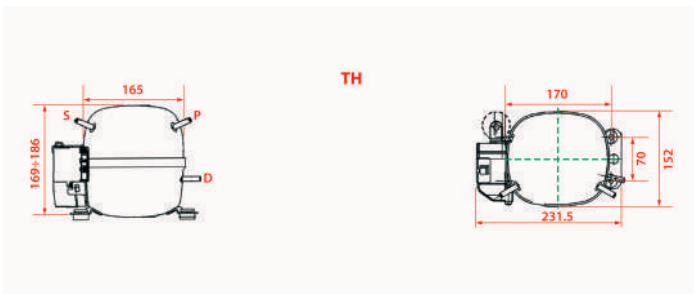
COMPRESSORS TECUMSEH R290 LBP



LF code	GEV code	Model	Motor power HP	Displ. cm ³	Electric diagram	LRA	Watt	A	Refrigeration power Watt					Power supply Volt/Ph/Hz	
									Evaporating temp. °C						
									-30	-25	-20	-15	-10		
3070522	LF3070522	AE2410U	1/5	6.12	CSIR	11.5	187	1.69	153	208	273	350	439	220-240/1/50	
3070524	LF3070524	AE2415U	1/3	8.85	CSIR	12.5	270	1.92	246	328	421	527	647	220-240/1/50	
3070523	LF3070523	AE2420U	1/2	10.96	CSIR	13.5	357	2.5	345	441	552	680	827	220-240/1/50	

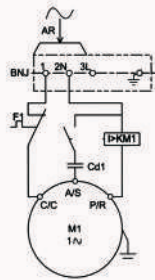
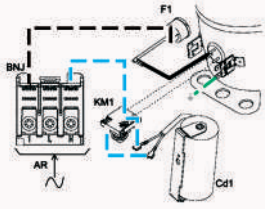
Condensation temperature +45°C - Test conditions CECOMAF EN12900

Tecumseh compressors

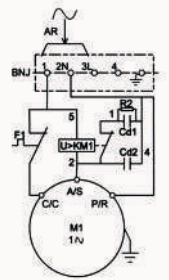
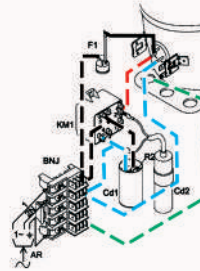


Tecumseh compressors

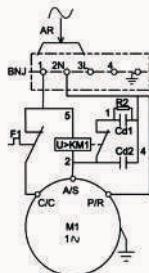
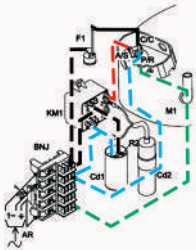
TH-AEZ-AE | CSIR



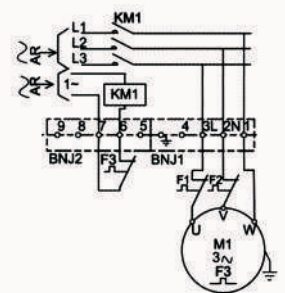
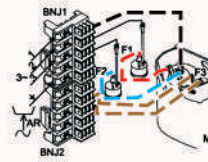
AEZ-AE | CSIR



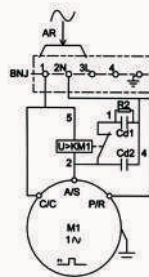
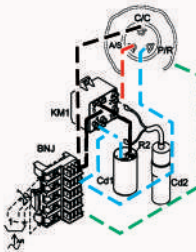
AJ | CSIR



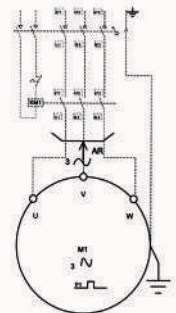
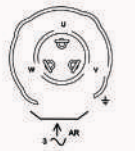
AJ | TRI



FH-AG-VS | CSIR



FH-AG-VS | TRI



Compressors accessories

UNIVERSAL ANTI-VIBRATION FEET FOR COMPRESSORS



LF code	GEV code	Size	Load	ø tapered thread
3313136	LF3313136	Ø40mm X h40mm	max 100kg	M8 - 8mm

ELECTROLYTIC CAPACITORS FOR SINGLE-PHASE MOTOR STARTING



DUCATI energia s.p.a.

Series 4.12.80

LF code	GEV code	Capacity μF	Volt	ø (mm)	Height mm
3068101	365095	43÷52	330V	36.5	68.5
3068102	365153	47÷56	330V	45.5	84
3068104	365057	53÷64	330V	45.5	84
3068070	365094	64÷77	330V	45.5	84
3068103	365096	88÷106	330V	45.5	84
3068067	365111	108÷130	330V	52	105
3068068	365101	124÷149	330V	52	105
3068069	LF3068069	145÷174	330V	52	105

Operating temperature -20+55°C - Tolerance capacity $\pm 10\%$ - Terminal faston 6.3 mm

RUNNING CAPACITORS

DUCATI energia s.p.a.

Voltage:

400V ~ 30000h cl.A 25/100/21
 425V ~ 30000h cl.A 25/85/21
 475V ~ 10000h cl.B 25/85/21
 500V ~ 3000h cl.C 25/85/21

Approved range:

0.8÷10 μF
 0.8÷40 μF
 0.8÷70 μF
 0.8÷40 μF



Series 4.16.33



LF code	GEV code	Capacity μF	ø x H (mm)
3068034	LF3068034	10	40x72
3068039	LF3068039	12	40x72
3068040	LF3068040	15	40x98
3068035	LF3068035	20	40x98
3068036	LF3068036	25	45x98
3068037	LF3068037	30	45x122
3068038	365097	35	45x122

Operating temperature -25+85°C - Tolerance capacity $\pm 5\%$ - Operations frequency 50 ÷ 60 Hz - terminal Faston 6.3 mm

Copeland scroll compressors

COMPRESSORS SCROLL COPELAND



LF code	GEV code	Model	Power supply Volt/Ph/Hz	LUBRICATING OILS	Flow rate
3070432	LF3070432	ZR18K5E PFJ 622	220/240 V 50/60 Hz	POE 32	4.39 m ³ /h
3070433	LF3070433	ZR22K3E PFJ 522	220/240 V 50/60 Hz	POE 32	5.34 m ³ /h
3070434	LF3070434	ZR28K3E PFJ 522	220/240 V 50/60 Hz	POE 32	6.83 m ³ /h
3070435	LF3070435	ZR34K3E PFJ 522	220/240 V 50/60 Hz	POE 32	8.03 m ³ /h
3070436	LF3070436	ZR34K3E TFD 522	400 V / 3ph - 50/60 Hz	POE 32	8.03 m ³ /h
3070438	LF3070438	ZR40K3E TFD 522	400 V / 3 ph - 50/60 Hz	POE 32	4.39 m ³ /h
3070437	LF3070437	ZR40K3E PFJ 522	220/240 V 50/60 Hz	POE 32	9.43 m ³ /h

Semihermetic compressors

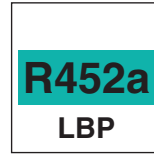
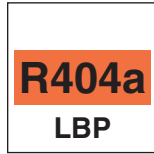
SEMI-HERMETIC COMPRESSORS DORIN



LF code	GEV code	Model	Power supply Volt/Ph/Hz	LUBRICATING OILS	Flow rate
3070526	LF3070526	H51CS	220/240V /3/ 50Hz 380/420V /3/ 50Hz	POE 32	4,42m ³ /h
3070528	LF3070528	H80CC	220/240V /3/ 50Hz 380/420V /3/ 50Hz	POE 32	4,42m ³ /h
3070529	LF3070529	H80CS	220/240V /3/ 50Hz 380/420V /3/ 50Hz	POE 32	5,37m ³ /h
3070441	LF3070441	H101CC	220/240V /3/ 50Hz 380/420V /3/ 50Hz	POE 32	5,37m ³ /h
3070442	LF3070442	H101CS	220/240V /3/ 50Hz 380/420V /3/ 50Hz	POE 32	6,71m ³ /h
3070443	LF3070443	H151CC	220/240V /3/ 50Hz 380/420V /3/ 50Hz	POE 32	6,71m ³ /h
3070444	LF3070444	H151CS	220/240V /3/ 50Hz 380/420V /3/ 50Hz	POE 32	7,50m ³ /h
3070445	LF3070445	H181CC	220/240V /3/ 50Hz 380/420V /3/ 50Hz	POE 32	7,50m ³ /h
3070446	LF3070446	H181CS	220/240V /3/ 50Hz 380/420V /3/ 50Hz	POE 32	9,16m ³ /h
3070447	LF3070447	H201CC	220/240V /3/ 50Hz 380/420V /3/ 50Hz	POE 32	9,16m ³ /h
3070449	LF3070449	H201CS	220/240V /3/ 50Hz 380/420V /3/ 50Hz	POE 32	9,88m ³ /h

Refrigeration units

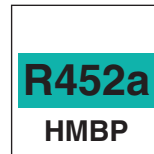
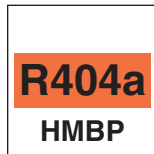
CONDENSING UNITS TECUMSEH BT R452/R404 LBP - THERMOSTATIC VALVE



LF code	GEV code	Model	Compressors	Motor power HP	Displ. cm ³	Power supply Volt/Ph/Hz	Dimensions mm LxDxH	Connections Suction - Liquid	Refrigeration power Watt Evaporating temp. °C			
									-30	-25	-20	-10
3058075	LF3058075	UC404-AEZ2415Z	AE2415Z	1/4	6,69	230 /1 / 50	310x470x270	10-6	288	366	456	655
3058076	LF3058076	UC404AE2425	AE2425Z	1/2	12,1	230 /1 / 50	330x500x235	10-6	459	561	708	1088
3058077	LF3058077	UC404-CAJ2432Z	CAJ2432Z	3/4	18,3	230 /1 / 50	390x490x345	12-10	510	735	958	1350
3058078	LF3058078	UC404CAJ2440Z	CAJ2440Z	1,15	22,5	230 /1 / 50	390x490x345	12-10	626	914	1135	1601
3058079	LF3058079	UC404-CAJ2464Z	CAJ2464Z	1,5	34,5	230 /1 / 50	550x410x370	16-10	1033	1411	1845	2600
3058080	LF3058080	UC404-FH2480Z	FH2480Z XC	2	54,3	230 /1 / 50	520x580x430	16-10	1320	1918	2521	3760
3058081	LF3058081	UC404TAG2513	TAG2513Z	3,7	100,7	400 / 3 / 50	750x780x540	22-12	2732	3311	4561	6700

Environment temperature +32°C - EN 12900

CONDENSING UNITS TECUMSEH TN R452/R404 HMBP - THERMOSTATIC VALVE

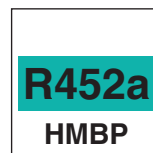
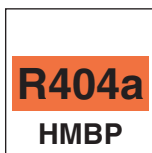


LF code	GEV code	Model	Compressors	Motor power HP	Displ. cm ³	Power supply Volt/Ph/Hz	Dimensions mm LxDxH	Connections Suction - Liquid	Refrigeration power Watt Evaporating temp. °C			
									-10	-5	0	+5
3058086	LF3058086	UC404AE4450Z	AE4450Z	1/3	8,85	230 /1 / 50	310x470x270	10-6	675	826	999	1200
3058087	LF3058087	UC404AE4460Z	AE4460Z	1/2	10,33	230 /1 / 50	330x500x295	10-6	810	992	1180	1400
3058088	LF3058088	UC404CAJ9480	CAJ9480Z	3/4	15,2	230 /1 / 50	390x490x345	12-10	1185	1380	1645	1995
3058089	LF3058089	UC404TAJ9510Z	TAJ9510Z	1	18,3	400 / 3 / 50	390x490x345	12-10	1422	1695	1995	2399
3058090	LF3058090	UC404CAJ4517	CAJ4517Z	1,2	25,95	230 /1 / 50	550x410x370	12-10	2145	2550	3018	3604

Environment temperature +32°C - EN 12900

Refrigeration units

CONDENSING UNITS TECUMSEH TN R452/R404 HMBP - CAPILLARY



LF code	GEV code	Model	Compressors	Motor power HP	Displ. cm ³	Power supply Volt/Ph/Hz	Dimensions mm LxDxH	Connections Suction - Liquid	Refrigeration power Watt Evaporating temp. °C -10 -5 0 +5
3058082	LF3058082	UCC404-AE4425Z	AE4425Z	1/6	4,24	230 / 1 / 50	310x470x270	10-6	299 366 434 550
3058083	LF3058083	UCC404-AE4430Z	AE4430Z	1/4	5,16	230 / 1 / 50	310x470x270	10-6	396 480 590 734
3058084	LF3058084	UCC/404AE4450Z	AE4450Z	1/3	8,85	230 / 1 / 50	310x470x270	10-6	675 826 999 1200
3058085	LF3058085	UCC404-AE4460Z	AE4460Z	1/2	10,33	230 / 1 / 50	330x500x295	10-6	810 992 1180 1400

Environment temperature +32°C - EN 12900

CONDENSING UNITS TECUMSEH TN R134 HMBP - THERMOSTATIC VALVE



LF code	GEV code	Model	Compressors	Motor power HP	Displ. cm ³	Power supply Volt/Ph/Hz	Dimensions mm LxDxH	Connections Suction - Liquid	Refrigeration power Watt Evaporating temp. °C -10 -5 0 +5
3058072	LF3058072	UC134CAJ4476	CAJ4476Y	5/8	22,8	230 / 1 / 50	390x490x345	12-12	955 1244 1471 1836
3058073	LF3058073	UC134CAJ4492	CAJ4492Y	3/4	25,9	230 / 1 / 50	390x490x345	12-12	1185 1465 1745 2223
3058074	LF3058074	UC134TFH4525	TFH4525Y XG	2	63	400 / 3 / 50	520x580x430	12-16	3010 3890 4720 6209

Environment temperature +32°C - EN 12900

CONDENSING UNITS TECUMSEH TN R134 HMBP - CAPILLARY



LF code	GEV code	Model	Compressors	Motor power HP	Displ. cm ³	Power supply Volt/Ph/Hz	Dimensions mm LxDxH	Connections Suction - Liquid	Refrigeration power Watt Evaporating temp. °C -10 -5 0 +5
3058068	LF3058068	UCC134THB4419Y	THB4419Y	1/6	5	230 / 1 / 50	300x420x220	8-6	214 243 303 381
3058069	LF3058069	UCC134AE4440Y	AE4440Y	1/3	10,33	230 / 1 / 50	310x470x270	10-6	511 649 810 975
3058070	LF3058070	UCC134AE4450Y	AE4450Y	3/8+	13,24	230 / 1 / 50	310x470x270	10-6	649 845 1038 1278
3058071	LF3058071	UCC134AE4460Y	AE4460Y	1/2+	15,09	230 / 1 / 50	330x500x295	12-10	757 958 1155 1427

Environment temperature +32°C - EN 12900

Refrigeration units

HERMETIC AIR-COOLED CONDENSING UNITS R134a HMBP CAPILLARY APPLICATION WITH TAPS

embraco



R134a
HMBP

LF code	GEV code	Model	Compressors	Motor power HP	Displ. cm ³	Power supply Volt/Ph/Hz	Dimensions mm LxDxH	Connections Suction - Liquid	Refrigeration power Watt			
									Evaporating temp. °C			
									-15	-10	-5	0
3123042	LF3123042	AC6144Z	EMT6144Z	1/5	5.20	230/1/50	300x420x276	3/8"-10 1/4"-6	254	315	384	397
3123018	LF3123018	AC6160Z	EMT6160Z	1/4L	6.76	230/1/50	300x460x275	3/8"-10 1/4"-6	316	390	471	503
3123005	LF3123005	AC6170Z	EMT6170Z	1/4	7.69	230/1/50	300x460x276	3/8"-10 1/4"-6	359	444	542	561
3123054	LF3123054	AC6187Z	NEK6187Z	1/3	10.00	230/1/50	300x460x276	3/8"-10 1/4"-6	408	500	610	654
3123077	LF3123077	AC6212Z	NEU6212Z	1/2L	14.30	230/1/50	300x480x276	3/8"-10 1/4"-6	563	680	819	894
3123144	LF3123144	AC6214Z	NEU6214Z	1/2	16.80	230/1/50	300x510x276	1/2"-12 1/4"-6	619	760	923	1021

Environment temperature +32°C - EN 12900

HERMETIC AIR-COOLED CONDENSING UNITS R134a HMBP THERMOSTATIC VALVE APPLICATION WITH TAPS

embraco



R134a
HMBP

LF code	GEV code	Model	Compressors	Motor power HP	Displ. cm ³	Power supply Volt/Ph/Hz	Dimensions mm LxDxH	Connections Suction - Liquid	Refrigeration power Watt			
									Evaporating temp. °C			
									-15	-10	-5	0
3123055	LF3123055	AV6144Z	EMT6144Z	1/5	5.20	230/1/50	300x460x276	3/8"-10 1/4"-6	254	315	384	397
3123056	LF3123056	AV6160Z	EMT6160Z	1/4L	6.76	230/1/50	300x460x276	3/8"-10 1/4"-6	316	390	471	503
3123057	LF3123057	AV6170Z	EMT6170Z	1/4	7.69	230/1/50	300x460x276	3/8"-10 1/4"-6	359	444	542	561
3123058	LF3123058	AV6187Z	NEK6187Z	1/3	10.00	230/1/50	300x480x276	3/8"-10 1/4"-6	408	500	610	654
3123076	LF3123076	AV6212Z	NEU6212Z	1/2L	14.30	230/1/50	300x510x276	3/8"-10 1/4"-6	563	680	819	894
3123059	LF3123059	AV6214Z	NEU6214Z	1/2	16.80	230/1/50	300x540x276	3/8"-10 1/4"-6	619	760	923	1021
3123049	LF3123049	AV6215Z	NT6215Z	5/8	17.39	230/1/50	390x480x350	1/2"-12 3/8"-10	695	854	1048	1092
3123030	LF3123030	AV6220Z	NJ6220Z	3/4	26.20	230/1/50	390x510x350	1/2"-12 3/8"-10	856	1054	1275	1517
3123031	LF3123031	AV6226Z	NJ6226Z	1	34.37	230/1/50	390x540x350	5/8"-16 3/8"-10	1222	1508	1808	2120
3123027	LF3123027	AVT6226ZX	NJ6226ZX	1	34.37	400/3/50	390x540x350	5/8"-16 3/8"-10	1222	1508	1808	2120

Environment temperature +32°C - EN 12900

Refrigeration units

HERMETIC AIR-COOLED CONDENSING UNITS R404a/R507 HMBP CAPILLARY APPLICATION WITH TAPS

embraco



R404a R507
HMBP

R452a
HMBP

LF code	GEV code	Model	Compressors	Motor power HP	Displ. cm ³	Power supply Volt/Ph/Hz	Dimensions mm LxDxH	Connections Suction - Liquid	Refrigeration power Watt			
									Evaporating temp. °C			
									-15	-10	-5	0
3123145	LF3123145	AC6144GK	EMT6144GK	1/6	3.97	230/1/50	300x420x276	3/8"-10 1/4"-6	331	395	463	537
3123146	LF3123146	AC6152GK	EMT6152GK	1/5	4.50	230/1/50	300x420x276	3/8"-10 1/4"-6	363	430	502	577
3123147	LF3123147	AC6165GK	EMT6165GK	1/4L	5.20	230/1/50	300x460x276	3/8"-10 1/4"-6	429	512	602	699
3123148	LF3123148	AC6181GK	NEK6181GK	1/3L	7.28	230/1/50	300x460x276	3/8"-10 1/4"-6	511	603	705	810
3123149	LF3123149	AC6212GK	NEU6212GK	1/3	8.78	230/1/50	300x480x276	3/8"-10 1/4"-6	629	733	852	980

Environment temperature +32°C - EN 12900

HERMETIC AIR-COOLED CONDENSING UNITS R404a/R507 HMBP THERMOSTATIC VALVE APPLICATION WITH TAPS

embraco



R404a R507
HMBP

R452a
HMBP

LF code	GEV code	Model	Compressors	Motor power HP	Displ. cm ³	Power supply Volt/Ph/Hz	Dimensions mm LxDxH	Connections Suction - Liquid	Refrigeration power Watt			
									Evaporating temp. °C			
									-15	-10	-5	0
3123053	LF3123053	AV6144GK	EMT6144GK	1/6	3.97	230/1/50	300x460x276	3/8"-10 1/4"-6	331	395	463	537
3123016	LF3123016	AV6152GK	EMT6152GK	1/5	4.50	230/1/50	300x460x276	3/8"-10 1/4"-6	363	430	502	577
3123029	LF3123029	AV6165GK	EMT6165GK	1/4L	5.20	230/1/50	300x460x276	3/8"-10 1/4"-6	429	512	602	699
3123025	LF3123025	AV6181GK	NEK6181GK	1/4	7.38	230/1/50	300x460x276	3/8"-10 1/4"-6	511	603	705	810
3123017	LF3123017	AV6212GK	NEU6212GK	1/3	8.78	230/1/50	300x510x276	3/8"-10 1/4"-6	629	733	852	980
3123043	LF3123043	AV6215GK	NEU6215GK	1/2	12.12	230/1/50	300x510x298	3/8"-10 1/4"-6	828	964	1117	1278
3123028	LF3123028	AV6217GK	NEK6217GK	5/8	14.30	230/1/50	390x510x350	1/2"-12 3/8"-10	984	1162	1351	1543
3123044	LF3123044	AV6222GK	NT6222GK	3/4	17.40	230/1/50	390x510x350	5/8"-16 3/8"-10	1114	1329	1558	1785
3058005	LF3058005	AV6224GK	NT6224GK	1	20.44	230/1/50	390x510x350	5/8"-16 3/8"-10	1300	1552	1815	2082
3123050	LF3123050	AV6226GK	NT6226GK	1.1	22.40	230/1/50	390x540x350	5/8"-16 3/8"-10	1429	1688	1956	2224
3123033	LF3123033	AV6226GK2V	NT6226GK	1.1	22.40	230/1/50	650x480x280	5/8"-16 3/8"-10	1429	1688	1956	2224
3123045	LF3123045	AV9232GK	NJ9232GK	1.2	26.20	230/1/50	450x540x375	5/8"-16 3/8"-10	1540	1875	2209	2525
3123034	LF3123034	AV9232GK2V	NJ9232GK	1.2	26.20	230/1/50	650x480x330	5/8"-16 3/8"-10	1540	1875	2209	2525
3123036	LF3123036	AVT9232GS2V	NJ9232GS	1.2	26.20	400/3/50	650x480x330	5/8"-16 3/8"-10	1540	1875	2209	2525
3123041	LF3123041	AV9238GK	NJ9238GK	1.5	32.70	230/1/50	520x580x440	5/8"-16 3/8"-10	2076	2497	2924	3349
3123035	LF3123035	AV9238GK2V	NJ9238GK	1.5	32.70	230/1/50	650x480x330	5/8"-16 3/8"-10	2076	2497	2924	3349
3123037	LF3123037	AVT9238GS2V	NJ9238GS	1.5	32.70	400/3/50	650x480x330	5/8"-16 3/8"-10	2076	2497	2924	3349

Environment temperature +32°C - EN 12900

Refrigeration units

HERMETIC AIR-COOLED CONDENSING UNITS R404a/R507 LBP CAPILLARY APPLICATION WITH TAPS

embraco



R404a R507
LBP

R452a
LBP

LF code	GEV code	Model	Compressors	Motor power HP	Displ. cm ³	Power supply Volt/Ph/Hz	Dimensions mm LxDxH	Connections Suction - Liquid	Refrigeration power Watt			
									Evaporating temp. °C			
									-30	-25	-20	-10
3123150	LF3123150	AC2140GK	NEU2140GK	1/3	8.78	230/1/50	300x480x276	3/8"-10 1/4"-6	344	437	538	755
3123151	LF3123151	AC2155GK	NEU2155GK	1/2	12.12	230/1/50	300x480x276	3/8"-10 1/4"-6	448	556	675	936
3123152	LF3123152	AC2168GK	NEK2168GK	3/4	14.30	230/1/50	300x480x276	1/2"-10 3/8"-6	517	649	796	1124
3123153	LF3123153	AC2178GK	NT2178GK	1	17.40	230/1/50	300x480x276	1/2"-12 3/8"-10	602	747	907	1248

Environment temperature +32°C - EN 12900

HERMETIC AIR-COOLED CONDENSING UNITS R404a/R507 LBP THERMOSTATIC VALVE APPLICATION WITH TAPS

embraco



R404a R507
LBP

R452a
LBP

LF code	GEV code	Model	Compressors	Motor power HP	Displ. cm ³	Power supply Volt/Ph/Hz	Dimensions mm LxDxH	Connections Suction - Liquid	Refrigeration power Watt			
									Evaporating temp. °C			
									-30	-25	-20	-10
3123051	LF3123051	AV2130GK	NEK2130GK	1/4	7.40	230/1/50	300x460x276	3/8"-10 1/4"-6	273	343	418	572
3123026	LF3123026	AV2140GK	NEU2140GK	1/3	8.78	230/1/50	300x510x276	3/8"-10 1/4"-6	344	437	538	755
3123052	LF3123052	AV2155GK	NEU2155GK	1/2	12.11	230/1/50	300x540x276	3/8"-10 1/4"-6	448	556	675	936
3123048	LF3123048	AV2168GK	NEU2168GK	3/4	14.28	230/1/50	390x480x350	1/2"-12 3/8"-10	517	649	796	1124
3123032	LF3123032	AV2178GK	NT2178GK	1	17.40	230/1/50	390x480x350	1/2"-12 3/8"-10	602	747	907	1248
3058004	LF3058004	AV2180GK	NT2180GK	1.1	20.44	230/1/50	390x480x350	1/2"-12 3/8"-10	679	842	1014	1386
3123046	LF3123046	AV2192GK	NJ2192GK	1.2	26.00	230/1/50	390x510x350	1/2"-12 3/8"-10	783	987	1203	1626
3123040	LF3123040	AV2212GK	NJ2212GK	1.5	34.37	230/1/50	450x540x375	5/8"-16 3/8"-10	1070	1352	1645	2195
3123038	LF3123038	AV2212GK2V	NJ2212GK	1.5	34.37	230/1/50	650x480x330	5/8"-16 3/8"-10	1070	1352	1645	2195
3123047	LF3123047	AVT2212GS	NJ2212GS	1.5	34.37	400/3/50	450x540x375	5/8"-16 3/8"-10	1070	1352	1645	2195
3123039	LF3123039	AVT2212GS2V	NJ2212GS	1.5	34.37	400/3/50	650x480x330	5/8"-16 3/8"-10	1070	1352	1645	2195

Environment temperature +32°C - EN 12900

Refrigeration units

AIR-COOLED CONDENSING UNITS SECOP R134a HMBP CAPILLARY APPLICATION



LF code	GEV code	Model	Compressors	HP	Displ. cm ³	Power supply Volt/Ph/Hz	Dimensions mm LxDxH	Refrigeration power Watt			
								Evaporating temp. °C			
								-15	-10	-5	0
3058040	LF3058040	CUTL5G00000C	TL5G	1/6	5.1	187-254/1/50-60	380x300x230	175	218	266	321
3058041	LF3058041	CUNL6.1MF00C	NL6.1MF	1/5L	6.1	187-254/1/50-60	380x300x230	237	296	361	434
3058042	LF3058042	CUFR6G00000C	FR6G	1/5L	6.2	187-254/1/50-60	380x300x230	221	275	337	406
3058043	LF3058043	CUFR7.5G000C	FR7.5G	1/5	6.9	187-254/1/50-60	380x300x230	240	299	366	441
3058045	LF3058045	CUFR8.5G000C	FR8.5G	1/4L	7.95	187-254/1/50-60	380x300x230	281	346	419	499
3058047	LF3058047	CUFR10G0000C	FR10G	1/4	9.1	187-254/1/50-60	380x300x275	306	379	462	554
3058049	LF3058049	CUNL11MF000C	NL11MF	1/3	11.1	187-254/1/50	450x350x300	457	562	681	812
3058050	LF3058050	CUFR11G0000C	FR11G	1/3L	11.2	187-254/1/50	380x300x275	379	463	555	660
3058053	LF3058053	CUSC15G0000C	SC15G	3/8	15.3	187-254/1/50-60	450x350x300	530	664	810	967
3058052	LF3058052	CUSC15MFX00C	SC15MFX	3/8	15.3	198-254/1/50	450x350x300	546	687	841	1005
3058055	LF3058055	CUSC18G0000C	SC18G	1/2	17.7	187-254/1/50-60	450x350x300	629	784	957	1149
3058054	LF3058054	CUSC18MFX00C	SC18MFX	1/2	17.7	187-254/1/50-60	450x350x300	655	810	986	1181
3058056	LF3058056	CUSC21G0000C	SC21G	5/8	21.0	187-254/1/50-60	490x390x350	776	963	1169	1394

Environment temperature +32°C - EN 12900

AIR-COOLED CONDENSING UNITS SECOP R134a HMBP THERMOSTATIC VALVE APPLICATION



LF code	GEV code	Model	Compressors	HP	Displ. cm ³	Power supply Volt/Ph/Hz	Dimensions mm LxDxH	Refrigeration power Watt			
								Evaporating temp. °C			
								-15	-10	-5	0
3058057	605286	CUNL10MF000V	NL10MF	1/3L	10.1	187-254/1/50-60	450x350x300	427	528	643	772
3058060	605295	CUSC18MFX00V	SC18MFX	1/2	17.7	198-254/1/50	450x350x300	655	810	986	1181
3058061	605296	CUSC21MFX00V	SC21MFX	5/8	21.0	198-254/1/50	490x390x350	787	965	1167	1392
3058062	LF3058062	CUGS26MFX00V	GS26MFX	3/4	26.3	198-254/1/50	490x390x350	1011	1249	1509	1785
3058063	LF3058063	CUGS34MFX00V	GS34MFX	1	33.8	198-254/1/50	530x430x375	1323	1624	1959	2325

Environment temperature +32°C - EN 12900

Refrigeration units

AIR-COOLED CONDENSING UNITS SECOP R404a/R507 HMBP CAPILLARY APPLICATION



LF code	GEV code	Model	Compressors	HP	Displ. cm ³	Power supply Volt/Ph/Hz	Dimensions mm LxDxH	Refrigeration power Watt			
								Evaporating temp. °C -15 -10 -5 0			
3058012	LF3058012	CUTL4DL0000C	TL4DL	1/6	3.9	198-254/1/50	380x300x230	236	277	330	389
3058013	LF3058013	CUNL6.1MLX0C	NL6.1MLX	1/5	6.1	187-254/1/50-60	380x300x275	403	480	561	646
3058015	LF3058015	CUNF7MLX000C	NF7MLX	1/4	7.3	187-254/1/50-60	450x350x300	517	620	731	851
3058016	LF3058016	CUSC10MLX00C	SC10MLX	1/3	10.3	187-254/1/50-60	450x350x300	651	773	902	1036
3058017	LF3058017	CUSC12MLX00C	SC12MLX	1/2	12.9	187-254/1/50-60	450x350x300	801	949	1107	1270
3058018	LF3058018	CUSC15MLX00C	SC15MLX	5/8	15.3	198-254/1/50	490x390x350	1015	1207	1416	1637
3058019	LF3058019	CUSC18MLX00C	SC18MLX	3/4	17.7	198-254/1/50	530x430x375	1179	1399	1638	1892

Environment temperature +32°C - EN 12900

AIR-COOLED CONDENSING UNITS SECOP R404a/R507 HMBP THERMOSTATIC VALVE APPLICATION



LF code	GEV code	Model	Compressors	HP	Displ. cm ³	Dimensions mm LxDxH	Absorption Watt Ampere	Refrigeration power Watt			
								Evaporating temp. °C -15 -10 -5 0			
3058020	605297	CUNF7MLX000V	NF7MLX	1/4	7.3	450x350x300	467W 3.5A	517	620	731	851
3058021	605298	CUSC10MLX00V	SC10MLX	1/3	10.3	450x350x300	592W 4.1A	651	773	902	1036
3058022	605299	CUSC12MLX00V	SC12MLX	1/2	12.9	450x350x300	693W 4.6A	801	949	1107	1270
3058023	605300	CUSC15MLX00V	SC15MLX	5/8	15.3	490x390x350	861W 5.1A	1015	1207	1416	1637
3058024	605301	CUSC18MLX00V	SC18MLX	3/4	17.7	530x430x375	927W 4.9A	1179	1399	1638	1892
3058025	LF3058025	CUGS21MLX00V	GS21MLX	1	21.2	530x430x375	1058W 5.0A	1405	1680	1975	2283
3058026	LF3058026	CUGS26MLX00V	GS26MLX	1.2	26.3	530x430x375	1315W 6.5A	1741	2058	2388	2724
3058027	LF3058027	CUGS34MLX00V	GS34MLX	1.5	33.8	530x530x430	1880W 10A	2365	2775	3202	3638

Environment temperature +32°C - EN 12900

Refrigeration units

AIR-COOLED CONDENSING UNITS SECOP R404a/R507 LBP CAPILLARY APPLICATION



LF code	GEV code	Model	Compressors	HP	Displ. cm ³	Power supply Volt/Ph/Hz	Dimensions mm LxDxH	Refrigeration power Watt			
								Evaporating temp. °C -35 -30 -20 -10			
3058028	LF3058028	CUTL4CL0000C	TL4CL	1/6	3.9	198-254/1/50	380x300x230	102	129	196	283
3058029	LF3058029	CUNL7CLX000C	NL7CLX	1/5	7.3	198-254/1/50	380x300x275	215	275	416	577
3058030	LF3058030	CUNL8.4CLX0C	NL8.4CLX	1/4	8.4	198-254/1/50	380x300x275	231	294	441	606
3058031	LF3058931	CUSC12CLX.2C	SC12CLX.2	3/8	12.3	198-254/1/50-60	450x350x300	323	414	626	872
3058032	LF3058032	CUSC15CLX.2C	SC15CLX.2	1/2	15.3	198-254/1/50-60	450x350x300	395	507	771	1078
3058033	LF3058033	CUSC18CL000C	SC18CL	5/8	17.7	198-254/1/50	490x390x350	452	583	888	1238

Environment temperature +32°C - EN 12900

AIR-COOLED CONDENSING UNITS SECOP R404a/R507 LBP THERMOSTATIC VALVE APPLICATION



LF code	GEV code	Model	Compressors	HP	Displ. cm ³	Power supply Volt/Ph/Hz	Dimensions mm LxDxH	Refrigeration power Watt			
								Evaporating temp. °C -35 -30 -20 -10			
3058034	605288	CUNL8.4CLX0V	NL8.4CLX	1/4	8.4	198-254/1/50	450x350x275	231	294	441	606
3058035	605289	CUSC12CLX.2V	SC12CLX.2	3/8	12.3	198-254/1/50-60	450x350x300	323	414	626	872
3058036	605290	CUSC15CLX.2V	SC15CLX.2	1/2	15.3	198-254/1/50	450x350x300	395	507	771	1078
3058037	605291	CUSC21CL000V	SC21CL	3/4	21.2	198-254/1/50	490x390x350	511	650	969	1340
3058038	LF3058038	CUGS26CLX00V	GS26CLX	1.2	26.3	198-254/1/50	530x430x375	690	887	1338	1842
3058039	LF3058039	CUGS34CLX00V	GS34CLX	1.7	33.8	198-254/1/50	530x430x375	961	1222	1817	2481

Environment temperature +32°C - EN 12900

Refrigeration units

CONDENSING UNITS CUBIGEL TN R134 HMBP - CAPILLARY

cubigel
compressors

R134a
HMBP



LF code	GEV code	Model	Compressors	Motor power HP	Displ. cm ³	Power supply Volt/Ph/Hz	Refrigeration power Watt Evaporating temp. °C -10 -5 0 +5
3058134	LF3058134	CGL60TB2N	GL60TB	1/5	5,70	230V / 1 / 50	222 284 356 437

Condensation temperature +55°C

CONDENSING UNITS CUBIGEL TN R134 HMBP - THERMOSTATIC VALVE

cubigel
compressors

R134a
HMBP



LF code	GEV code	Model	Compressors	Motor power HP	Displ. cm ³	Power supply Volt/Ph/Hz	Refrigeration power Watt Evaporating temp. °C -10 -5 0 +5
3058145	LF3058145	CGL60TB3N	GL60TB	1/5	5,70	230V / 1 / 50	222 284 356 437
3058146	LF3058146	CGLY12RAa3N	GLY12RA	3/8	10,7	230V / 1 / 50	438 555 698 867

Condensation temperature +55°C

CONDENSING UNITS CUBIGEL TN R404/R507 HMBP - CAPILLARY

cubigel
compressors

R404a R507
HMBP

LF code	GEV code	Model	Compressors	Motor power HP	Displ. cm ³	Power supply Volt/Ph/Hz	Refrigeration power Watt Evaporating temp. °C -10 -5 0 +5
3058147	LF3058147	CML45TB2N	ML45TB	1/5	4,56	230V / 1 / 50	295 362 439 525
3058148	LF3058148	CML80TB2N	ML80TB	1/3	7,57	230V / 1 / 50	484 600 730 875

Condensation temperature +55°C

Refrigeration units

CONDENSING UNITS CUBIGEL TN R404/R507 HMBP - THERMOSTATIC VALVE

cubigel
compressors

R404a R507
HMBP

LF code	GEV code	Model	Compressors	Motor power HP	Displ. cm ³	Power supply Volt/Ph/Hz	Refrigeration power Watt Evaporating temp. °C -10 -5 0 +5
3058149	LF3058149	CML45TB3N	ML45TB	1/5	4,56	230V / 1 / 50	295 362 439 525
3058150	LF3058150	CML90TB3N	ML90TB	3/8	8,85	230V / 1 / 50	579 717 873 1049

Condensation temperature +55°C

CONDENSING UNITS CUBIGEL BT R404/R507 LBP - CAPILLARY

cubigel
compressors

R404a R507
LBP

LF code	GEV code	Model	Compressors	Motor power HP	Displ. cm ³	Power supply Volt/Ph/Hz	Refrigeration power Watt Evaporating temp. °C -30 -25 -20 -10
3058151	LF3058151	CMLY90LAa2N	MLY90LAa	1/3	9,09	230V / 1 / 50	236 311 399 612

Condensation temperature +55°C

CONDENSING UNITS CUBIGEL BT R404/R507 LBP - THERMOSTATIC VALVE

cubigel
compressors

R404a R507
LBP

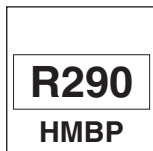
LF code	GEV code	Model	Compressors	Motor power HP	Displ. cm ³	Power supply Volt/Ph/Hz	Refrigeration power Watt Evaporating temp. °C -30 -25 -20 -10
3058152	LF3058152	CMLY90LAa3N	MLY90LAa	1/3	9,09	230V / 1 / 50	236 311 399 612
3058153	LF3058153	CMPT14LA3N	MPT14LA	1/2	14,32	230V / 1 / 50	419 534 666 984

Condensation temperature +55°C

Refrigeration units

CONDENSING UNITS TN R290 MHBP - CAPILLARY

embraco



LF code	GEV code	Model	Compressors	Motor power HP	Displ. cm ³	Power supply Volt/Ph/Hz	Dimensions mm LxDxH	Connections Suction - Liquid	Refrigeration power Watt Evaporating temp. °C
3058121	LF3058121	UCS HU/20A SA EMT6144U	EMT6144U	1/5	4.50	230 /1 / 50	400x300x270	6-6	343 413 501 639
3058122	LF3058122	UCS HU/25A SA EMT6165U	EMT6165U	1/4	5.96	230 /1 / 50	400x300x270	6-6	485 571 691 881
3058123	LF3058123	UCS HU/33A SA NEK6210U	NEK6210U	1/3	8.77	230 /1 / 50	450x340x300	8-6	640 850 1025 1312
3058124	LF3058124	UCS HU/50A SA NEK6217U	NEK6217U	1/2	14.28	230 /1 / 50	500x400x350	8-6	1018 1233 1481 2118
3058125	LF3058125	UCS HU/75A SA NT6220U	NT6220U	3/4	17.40	230 /1 / 50	500x400x350	10-6	1193 1610 1961 2527

Environment temperature +32°C - EN 12900

CONDENSING UNITS EMBRACO BT R290 LBP - CAPILLARY

embraco



LF code	GEV code	Model	Compressors	Motor power HP	Displ. cm ³	Power supply Volt/Ph/Hz	Dimensions mm LxDxH	Connections Suction - Liquid	Refrigeration power Watt Evaporating temp. °C
3058126	LF3058126	UCS U/20A SA EMT2117U	EMT2117U	1/5		230 /1 / 50	400x300x270	6-6	84 112 145 202
3058127	LF3058127	UCS U/25A SA EMT2121U	EMT2121U	1/4		230 /1 / 50	400x300x270	6-6	110 169 188 301
3058128	LF3058128	UCS U/33A SA EMT2130U	EMT2130U	1/3		230 /1 / 50	400x300x270	6-6	137 180 233 323
3058129	LF3058129	UCS U/50A SA NEK2134U	NEK2134U	1/2		230 /1 / 50	450x340x300	8-6	208 281 315 483
3058130	LF3058130	UCS U/75A SA NT2170U	NT2170U	3/4		230 /1 / 50	500x400x350	10-6	333 492 577 908
3058131	LF3058131	UCS U/100A SA NT2180U	NT2180U	1			500x400x350	10-6	380 559 653 1023
3058132	LF3058132	UCS U/125A SA NT2210U	NT2210U	1.25			500x400x350	10-6	482 698 813 1276

Environment temperature +32°C - EN 12900

Refrigeration units

WATER CONDENSING UNITS EMBRACO BT R404/R452 LBP - VALVE

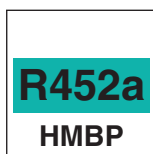
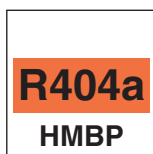
embraco



LF code	GEV code	Model	Compressors	Motor power HP	Displ. cm ³	Power supply Volt/Ph/Hz	Dimensions mm LxDxH	Connections Suction - Liquid	Refrigeration power Watt		
									Evaporating temp. °C		
3058116	LF3058116	UCG W 25 A	EMT 2121 GK	1/3	5.19	230 /1 / 50	500x340x270		142	203	304
3058117	LF3058117	UCG W 50 A	NEK 2134 GK	1/2	8.77	230 /1 / 50	500x340x300		256	369	559
3058118	LF3058118	UCG W 75 A	NEK 2168 GK	3/4	14.28	230 /1 / 50	540x400x350		406	545	806
3058119	LF3058119	UCG W 90 A	NT 2180 GK	1	20.44	230 /1 / 50	540x400x350		494	661	959
3058111	LF3058111	UCG W 120 A	NT 2192 GK	1,2	22.37	230 /1 / 50	540x400x350		631	858	1249

Condensing temperature +35°C, Ambient temperature +32°, Superheat 6K, Subcooling 8K

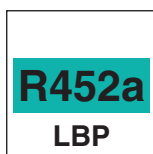
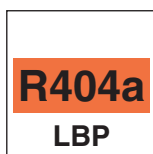
SILENCED CONDENSING UNITS TECUMSEH TN R404/R452 HBP - VALVE



LF code	GEV code	Model	Compressors	Motor power HP	Displ. cm ³	Power supply Volt/Ph/Hz	Dimensions mm LxDxH	Refrigeration power Watt			
								Evaporating temp. °C			
3058133	LF3058133	LEOCAR9460MUTA	AE4460Z	1/2	10.33	230 /1 / 50	850x360x770	674	805	959	1170
3058135	LF3058135	LEOCAR9480MUTA	CAJ9480Z	3/4	15.20	230 /1 / 50	850x360x770	959	1185	1380	1645
3058136	LF3058136	LEOCAR9510MUTA	CAJ9510Z	1	18.30	230 /1 / 50	850x360x770	1189	1422	1695	1995
3058137	LF3058137	LEOCAR4519MUTA	CAJ4519Z	1,5	34.50	230 /1 / 50	850x360x770	2260	2735	3245	3810
3058138	LF3058138	LEOCAR4524MUTA	FH4524Z XC	2	43.30	230 /1 / 50	1200x400x810	2410	2959	3565	4221

Environment temperature +36°C

SILENCED CONDENSING UNITS TECUMSEH BT R404/R452 LBP - VALVE



LF code	GEV code	Model	Compressors	Motor power HP	Displ. cm ³	Power supply Volt/Ph/Hz	Dimensions mm LxDxH	Refrigeration power Watt			
								Evaporating temp. °C			
3058139	LF3058139	LEOCAR2432MUTA	CAJ2432Z	3/4	18.30	230 /1 / 50	850x360x770	510	735	858	1390
3058140	LF3058140	LEOCAR2464MUTA	CAJ2464Z	1,5	34.50	230 /1 / 50	850x360x770	1033	1411	1845	2600
3058141	LF3058141	LEOCAR2480MUTA	FH2480Z XC	2	54.30	230 /1 / 50	1200x400x810	1620	2118	2521	3460

Environment temperature +38°C

Refrigeration units

SILENCED CONDENSING UNITS TECUMSEH TN R134 HBP - VALVE



LF code	GEV code	Model	Compressors	Motor power HP	Displ. cm ³	Power supply Volt/Ph/Hz	Dimensions mm LxDxH	Refrigeration power Watt Evaporating temp. °C -15 -10 -5 0
3058142	LF3058142	LEOCAR4461MUTA	CAJ4461Y	1/2+	18.30	230 /1 / 50	850x360x770	630 805 1050 1245
3058143	LF3058143	LEOCAR4511MUTA	CAJ4511Y	1	32.70	230 /1 / 50	850x360x770	1248 1559 2000 2380
3058144	LF3058144	LEOCAR4518MUTA	FH4518Y XC	1,5	48.50	230 /1 / 50	1200x400x810	1505 2255 2850 3600

Environment temperature +36°C

COOLING UNITS TECO



LF code	GEV code	Model	Gas	Compress.	Power cooling	Defro- sting	Volume refrigerated	Range	Weight	Dimensions mm	Hole mm	Power supply
3058006	LF3058006	STA E-PLV	R290	EMC3119U	348W (*)	Hot gas	700l	-2/+8°C	18Kg	610x690x290	510x385	230V 50Hz
3058007	LF3058007	STA E-PHV	R290	EMC3134U	535W (*)	Hot gas	1400l	-2/+8°C	21Kg	610x690x290	510x385	230V 50Hz
3058008	LF3058008	STA E-NLV	R290	NEU2155U	560W (*)	Hot gas	700l	-15/-20°C	26Kg	610x690x320	510x385	230V 50Hz
3058009	LF3058009	STA E-NHV	R290	NT2180U	820W (*)	Hot gas	1400l	-15/-20°C	36Kg	610x690x320	510x385	230V 50Hz
3058010	LF3058010	STB E-PLV Rh	R290	EMC3119U	348W (*)	Hot gas	1-4 Doors	-2/+8°C	22Kg	490x285x630	390x305	230V 50Hz
3058011	LF3058011	STB E-PLV Lh	R290	EMC3119U	348W (*)	Hot gas	1-4 Doors	-2/+8°C	22Kg	490x285x630	390x305	230V 50Hz

(*)Room temp. +35°C - Evap.temp. -8°C(NT) -28°C(LT) - Cond.temp. +55°C

GRID FOR COOLING UNITS TECO



LF code	GEV code	Description	Dimensions mm
3185133	LF3185133	plastic grid for evaporator air flow direction STB	50x122
3185134	LF3185134	stainless steel grid for STB	330x400
3185135	LF3185135	stainless steel grid for STA	525x400

Evaporators Luve SHS

EVAPORATORS LUVE SHS



LF code	GEV code	Model	Length	Axial fan no. x ø mm	Refrigeration power Watt DT1=10K	Fin spacing mm
3123199	LF3123199	EVAPORATOR LUVE SHS 8	493mm	1 x 230mm	700	5
3123201	LF3123201	EVAPORATOR LUVE SHS13	647mm	1 x 230mm	950	5
3123202	LF3123202	EVAPORATOR LUVE SHS22	803mm	2 x 230mm	1570	5
3123203	LF3123203	EVAPORATOR LUVE SHS26	1126mm	2 x 230mm	2050	5
3123204	LF3123204	EVAPORATOR LUVE SHS32	1126mm	3 x 230mm	2290	5

Evaporators for counter

VENTILATED EVAPORATORS FOR COUNTER



EVC



EVP

LF code	GEV code	Model	Dimensions mm LxDxH	Axial fan no. x ø mm	Refrigeration power Watt DT1=8K
3123019	750778	EVC1N	400x83x365	2x120	312
3123020	750779	EVC2N	400x83x415	2x120	384
3123021	LF3123021	EVC3N	400x83x465	2x120	432
3123022	LF3123022	EVC4N	400x83x515	2x120	480
3123023	750781	EVP1N	400x83x365	2x120	312
3123024	750780	EVP2N	400x83x415	2x120	384

EVC = Central version for counters EVP = Wall mounted version for counters and cabinets

Heating elements

CARTRIDGE HEATING ELEMENTS PTC UNIVERSAL



LF code	GEV code	Power supply	Cartridge length mm	ø mm	Evaporation capacity	Power	Power in absence of water	Coupling	Cable length mm
3455466	417570	230V	120	12	0.11 Kg/h	110W	10W	3/8"G	1000
3455467	417571	230V	180	12	0.2 Kg/h	230W	20W	3/8"G	1000
3455468	417572	230V	240	12	0.3 Kg/h	330W	30W	3/8"G	1000

HEATING ELEMENTS CARTER



LF code	GEV code	Power supply	Power	ø min. mm	ø max. mm
3455469	696599	230V	35W	110	180
3455470	696600	230V	45W	150	290
3455476	696601	230V	65W	210	330

HEATING ELEMENTS ETCHED FOIL IN SILICONE



LF code	GEV code	Power supply	Power	Dimension mm	Thermostat
3355661	416315	230V	80W	470x65	100°C
3355689	418855	230V	100W	210x60	130°C
3355688	418856	230V	200W	210x117	130°C
5039574	419331	230V	700W	290x300	

with adhesive side

Heating elements

HEATING ELEMENTS WITH METAL MESH



Photo	LF code	GEV code	Hot zone length mm	Cable length mm	Volt	Watt	Braiding coat	Max. temperature (°C)
2	3355925	416324	3010	1500+1500	230V	43	CuSt	120
4	3355916	418755	3330	1000+1000	230V	100	CuSt	120
5	3355974	LF3355974	3500	2700+2700	230V	100	CuSt	120
1	3355968	LF3355968	4200	600+600	230V	42	Fiberglass	110
1	3355969	LF3355969	4480	1000+1000	230V	44.8	Fiberglass	110
3	3355955	418592	4400	1900+1900	230V	52	CuSt	120
2	3355926	416323	4510	1500+1500	230V	45.2	CuSt	120
6	3355970	416747	4600	1000+1000	230V	46	CuSt	120
4	3355919	419109	4700	1150+1150	230V	150	CuSt	120
3	3355956	418591	5500	1900+1900	230V	68	CuSt	120
1	3355973	LF3355973	6400	600+600	230V	64	Fiberglass	110

HEATING ELEMENTS IN SILICONE



LF code	GEV code	Hot zone length mm	Cable length mm	Volt	Watt	Silicone insulation ø (mm)
3355684	418807	1210	1755+1755	230	18	3
3355681	LF3355681	1980	600+600	230	9	3
3355690	LF3355690	2300	300+300	230	45	3
3355683	418809	2680	1740+1740	230	41	3
3355698	420372	3000	500+500	230	54	3
3355699	LF3355699	3500	500+500	230	63	3
3355700	420373	4000	500+500	230	72	3
3355705	LF3355705	4500	500+500	230	81	3
3355706	420374	5000	500+500	230	90	3
3355728	LF3355728	5500	500+500	230	99	3
3355932	416311	6000	800+800	230	46	3
3355729	420375	6000	500+500	230	108	3
3355730	417805	6500	500+500	230	117	3
3355734	420376	7000	500+500	230	126	3
3355735	LF3355735	7500	500+500	230	135	3
3355738	420377	8000	500+500	230	144	3

HEATING ELEMENTS IN SILICONE FOR CONDENSATE DRAIN



LF code	GEV code	Hot zone length mm	Cable length mm	Volt	Watt
3356180	416336	500	2400	230	16
3355967	419345	970	1500	230	30
3455043	LF3455043	1000	500	230	20
3355941	417518	1000	1000	230	50
3355964	LF3355964	1870	1300	230	28.8
3355942	417519	2000	1000	230	100
3355943	417520	3000	1000	230	150
3355944	417521	4000	1000	230	200
3355945	417522	5000	1000	230	250
3355946	417523	6000	1000	230	300

HEATING ELEMENTS FOR AIR EVAPORATORS LU-VE SHP



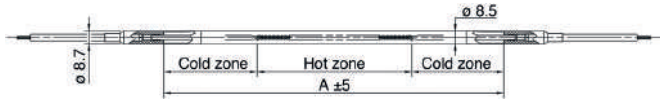
RCE 051

RCE 061

LF code	GEV code	Model	Power Watt	Length mm	Width mm
3455430	LF3455430	RCE 051	250	345	50
3455431	LF3455431	RCE 061	500	630	50

Heating elements

HEATING ELEMENTS SHEATHED, TUBULAR, FLEXIBLE



LF code	GEV code	Model	Length A mm	Hot zone length mm	Watt
3455432	LF3455432	RSV-050	500	486	150
3455433	LF3455433	RSV-060	600	586	200
3455434	LF3455434	RSV-100	1000	860	350
3455435	LF3455435	RSV-125	1250	1110	450
3455436	LF3455436	RSV-150	1500	1360	550
3455437	LF3455437	RSV-175	1750	1610	600
3455438	LF3455438	RSV-200	2000	1860	700
3455439	LF3455439	RSV-225	2250	2110	800
3455440	LF3455440	RSV-250	2500	2360	900
3455441	LF3455441	RSV-275	2750	2610	1000
3455442	LF3455442	RSV-300	3000	2860	1100
3455443	LF3455443	RSV-325	3250	3110	1200
3455444	LF3455444	RSV-350	3500	3360	1300
3455455	LF3455455	RSV-375	3750	3610	1400
3455445	LF3455445	RSV-400	4000	3860	1500
3455446	LF3455446	RSV-450	4500	4360	1700
3455447	LF3455447	RSV-500	5000	4860	1900
3455448	LF3455448	RSV-550	5500	5360	2100
3455449	LF3455449	RSV-600	6000	5860	2200
3455450	LF3455450	RSV-650	6500	6360	2400
3455451	LF3455451	RSV-725	7250	7110	2650

Drip trays

CONDENSATE EVAPORATION TRAYS UNIVERSAL



LF code	GEV code	Capacity	Dimensions mm	Features	Photo
3015079	750430	1.65 L	294x35xh200	vertical	1
3015080	LF3015080	1.5 L	325x200xh35	horizontal	2
3016004	750431	2.8 L	300x140xh100	horizontal	3

with hole for cartridge element PTC(fitting 3/8"G)

CONDENSATE EVAPORATION TRAYS



LF code	GEV code	Model	Capacity	Volt	W	A	Evaporating capacity	Dimensions	Features
3016011	750001	BDE/16	1.5 l	230	160	0.7	2.3 l/day	315x120 mm	
3016007	750002	BDE/30	1.5 l	230	300	1.3	4.5 l/day	315x120 mm	
3015042	750807	D70	1.5 l	230	300	1.3	4.5 l/day	315x120 mm	with PTC control

Condensers

COUNTERFLOW WATER COOLED CONDENSERS



LF code	GEV code	Model	Dimensions mm LxDxH	Refrigeration power Watt DT1=15K	Gas pipe ø mm	Water pipe ø mm
3123061	750798	CHS1	110x135x180	1000	6	10
3123060	LF3123060	CHS2	130x160x220	2000	8	10
3123062	LF3123062	CHS3	162x200x220	3000	8	10
3123063	LF3123063	CHS4	180x240x225	4000	10	12

AIR COOLED CONDENSERS LU-VE



STFT



STN

LF code	GEV code	Model	Dimensions mm LxDxH	Refrigeration power Watt DT1=15K	Fan diameter no. x ø mm	Surface m ²	Conveyors of plastic
5021793	LF5021793		140x60x185	655			
3123093	LF3123093	STFT 12118	190x30x185	470	1x170	0.55	CF18
3123088	LF3123088	STFT 12218	190x60x185	745	1x170	1.1	CF18
3123092	LF3123092	STFT 14121	220x30x215	665	1x200	0.75	CF21
3123089	750797	STFT 14221	220x60x215	1000	1x200	1.5	CF21
3123125	LF3123125	STFT 16124	250x30x245	925	1x230	1	CF24
3123090	750409	STFT 16224	250x60x245	1385	1x230	2	CF24
3068901	750249	STN 8324	290x90x245	1125	1x230	2.66	C24
3123091	LF3123091	STFT 18227	280x60x275	1935	1x254	2.5	CF27

CONVEYORS OF PLASTIC



LF code	GEV code	Model
3123094	LF3123094	CF18
3123095	LF3123095	CF21
3123096	LF3123096	CF24
3123097	LF123097	CF27

Condensers

AIR COOLED CONDENSERS



LF code	GEV code	Model	Dimensions mm LxDxH	Refrigeration power Watt DT1=15K	Fan diameter no. x ø mm	Fin spacing mm
3030005	LF3030005	CCV1024/3	300x130x256	1170	1x230	3.6
3123064	LF3123064	CCV1024/4	300x130x256	1740	1x230	3.6
3123006	LF3123006	CCV1127/4	320x135x280	1930	1x250	3.6
3123009	LF3123009	CCV1438/4	410x165x355	3539	1x300	3.6
3123010	LF3123010	CCV1643/4	520x162x415	5810	1x350	3.2
3123011	LF3123011	CCV1258/3	650x140x308	4380	2x250	3.2
3123012	LF3123012	CCV1258/4	650x160x308	5240	2x250	3.2
3123014	LF3123014	CCV1470/4	780x185x360	7500	2x300	3.2
3123015	LF3123015	CCV1682/4	908x173x420	10050	2x350	3.2

Axial motor fans

AXIAL FANS COMPACT



LF code	GEV code	Model	Manufacturer	Dimensions mm LxDxH	Volt	Hertz	Watt	rpm	Air flow m ³ /h	Bearing type
7108241	LF7108241	EE60251S1-1000U-999	SUNON	60x60x25	12Vdc	---	1.56	4500	40	sleeve
3540038	601154	AD0612HB-A71GL	ADDA	60x60x25	12Vdc	---	2.76	4500	40	ball
3240630	LF3240630	EE60252B3-000U-A99	SUNON	60x60x25	24Vdc	---	0.65	3000	24	ball
3540028	601679	MF60252V1-A99-A	SUNON	60x60x25	24Vdc	---	1.25	4500	40	vapo
3540027	LF3540027	MA2062-HVL	SUNON	60x60x25	230V	50/60	4	4100	30	vapo
3540040	601670	AD08012HB-257104	ADDA	80x80x25	12Vdc	---	3	3000	69	ball
5004018	LF5004018	PF80251V3-000U-A99	SUNON	80x80x25	12Vdc	---	2.7	4200	90	vapo
3540041	601439	AD08024HB-257104	ADDA	80x80x25	24Vdc	---	3.84	3100	66	ball
3540042	601130	AA8252HB-AT	ADDA	80x80x25	230	50/60	15	2300	29	ball
3240502	LF3240502	SF23080AT-2082HBL.GN	SUNON	80x80x25	230	50/60	14	2450	31	ball
3540072	602322	A08A23HWSF00	COSTECH	80x80x25	230	50/60	16	2600	32	sleeve
3540003	602244	MA2082-HVL.GN	SUNON	80x80x25	230	50/60	4.6	3200	68	vapo
3540043	601081	AA8382HB-AT	ADDA	80x80x38	230	50/60	13.6	2400	41	ball
3240337	LF3240337	SF23080A-2083HBL.GN	SUNON	80x80x38	230	50/60	18	2400	41	ball
3540056	LF3540056	EE92251B3-000U-A99	SUNON	92x92x25	12Vdc	---	1.3	2400	67	ball
3540044	601747	AD0912HB-A71GL	ADDA	92x92x25	12Vdc	---	3.0	2900	83	ball
3540045	601680	AD0924HB-A71GL	ADDA	92x92x25	24Vdc	---	3.6	2900	83	ball
3540046	601055	AA9252HB-AT	ADDA	92x92x25	230	50/60	13.4	2000	47	ball
3240503	LF3240503	SF23092A-2092HBT.GN	SUNON	92x92x25	230	50/60	14.5	2350	51	ball
1540001	LF1540001	PMD2409PMB1-A(2).GN	SUNON	92x92x38	24Vdc	---	12.2	4900	204	ball
3540047	601158	AD1212HB-A71GL	ADDA	120x120x25	12Vdc	---	4.44	2200	149	ball
3540048	601159	AD1224HB-A71GL	ADDA	120x120x25	24Vdc	---	3.12	2000	149	ball
3340156	LF3340156	DP201AT-2212HBT.GN	SUNON	120x120x25	230	50/60	19	2150	112	ball
3540049	601131	AA1252MB-AT	ADDA	120x120x25	230	50/60	21.6	2200	110	ball
3540050	601712	AD1212HB-F51	ADDA	120x120x38	12Vdc	---	4.7	2800	178	ball
3340133	LF3340133	PMD1212PMB2-A	SUNON	120x120x38	12Vdc	---	14.4	3800	289	ball
3540012	LF3540012	PMD1212PMB1-A(2).GN	SUNON	120x120x38	12Vdc	---	19.2	4200	323	ball
3540051	601705	AD1224HB-F51	ADDA	120x120x38	24Vdc	---	6.2	2800	178	ball
4088034	601604	AA1282HS-AW	ADDA	120x120x38	230	50/60	16	2600	141	sleeve
7121448	601080	AA1282HB-AT	ADDA	120x120x38	230	50/60	16	2600	141	ball
3540073	602323	A12B23HWBWF0	COSTECH	120x120x38	230	50/60	20	2750	148	ball
3240501	601692	DP200A-2123XBT.GN	SUNON	120x120x38	230	50/60	22	2850	165	ball
3540052	601457	AD1312UB-F51	ADDA	127x127x38	12Vdc	---	12.72	3500	328	ball
3540060	601132	FP-108C	COMMON-WEALTH	162x150x55	230	50/60	46	2700	356	ball
3240504	602271	C17B23HTBF00	COSTECH	172x150x38	230	50/60	27	2850	300	ball
3540053	601706	AK1652HB	ADDA	172x150x51	230	50/60	59.8	2600	292	ball
3340157	602263	A2175-HBT-TC.GN	SUNON	172x150x51	230	50/60	25	2800	345	ball

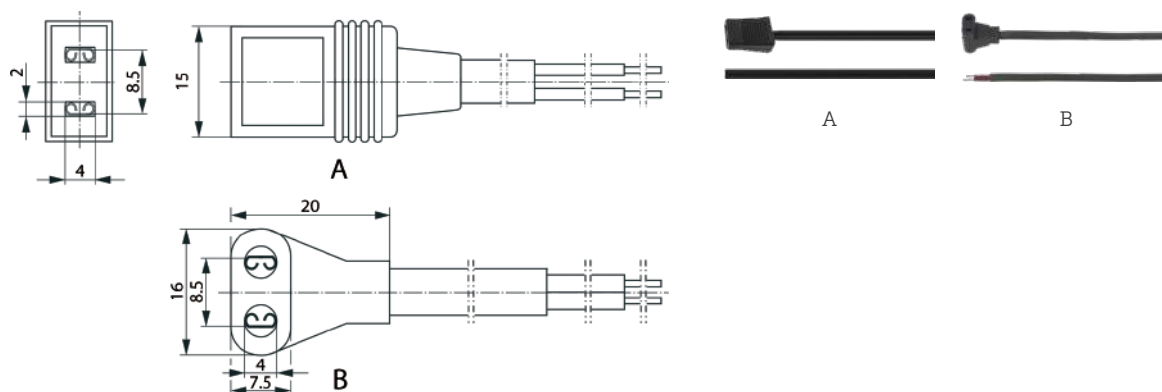
Axial motor fans

ACCESSORIES FOR COMPACT AXIAL FANS



LF code	GEV code	Description
3240880	LF3240880	Rubber anti-vibration
3540002	LF3540002	Filter fan guards 119x119 mm

CABLES FOR COMPACT AXIAL FANS



LF code	GEV code	Length mm	Features	Connection	Application
3240521	551318	610	Angled plug (B)	2.8x0.5	DC
3805036	LF3805036	1500	Straight plug (A)	2.8x0.5	AC
3805037	550898	2000	Straight plug (A)	2.8x0.5	AC
2101758	LF2101758	3000	Straight plug (A)	2,8x0.5	AC

AXIAL FANS



Photo	LF code	GEV code	Model	Diameter mm	Volt	Hertz	Watt	rpm
1	3240666	602247	NMB 4715MS-23W-B5AK	114	230	50/60	15	2600
2	3240686	LF3240686	EBM 4656 TZ	108	230	50	19	2600
3	3240685	602063	EBM 4586 TZR	108	230	50	13	2600

Axial motor fans

AXIAL FANS COMPACT EBM-PAPST

ebmpapst

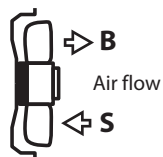


LF code	GEV code	Model	Dimensions mm LxHxD	Volt	Hertz	Watt	rpm	Air flow m ³ /h	Connection	Temp. range °C	Bearing type
1240052	LF1240052	612NGH	60x60x25	12Vdc	---	2.6	5600	46	2 wires L=310 mm	-20..+70	sleeve
1240053	LF1240053	8412N	80x80x25	12Vdc	---	2	3100	69	2 wires L=310 mm	-20..+70	ball
1240140	602061	8414NM	80x80x25	24Vdc	---	1.4	2600	58	2 wires L=310 mm	-20..+70	ball
1240208	LF1240208	8414N	80x80x25	24Vdc	---	2	3100	69	2 wires L=310 mm	-20..+70	ball
3540034	601908	8550N	80x80x38	230	50	12	2700	50	2 wires L=310 mm	-10..+70	sleeve
3540037	601826	8556V	80x80x38	230	50	12	2700	50	2 flat plug 2.8x0.5	-40..+90	ball
3240515	601038	8556N	80x80x38	230	50	12	2700	50	2 wires L=310 mm	-40..+90	ball
3540009	602234	3412N	92x92x25	12Vdc	---	2.2	2700	84	2 wires L=310 mm	-20..+70	ball
3240518	601074	3414N	92x92x25	24Vdc	---	2.3	2700	84	2 wires L=310 mm	-20..+70	ball
3240660	601082	3956	92x92x25	230	50	11	2650	59	2 flat plug 2.8x0.5	-40..+80	ball
2102290	LF2102290	3856U	92x92x38	230	50	9	1950	54	2 wires L=1500 mm	-40..+90	ball
3240613	601633	3656	92x92x38	230	50	12	2700	75	2 wires L=310 mm	-40..+75	ball
5074596	602241	4412FGM	119x119x25	12Vdc	---	3.2	2400	140	2 wires L=310 mm	-20..+75	sleeve
3540023	602245	4412F	119x119x25	12Vdc	---	5.3	2900	170	2 wires L=310 mm	-20..+60	ball
3540035	602053	4414F	119x119x25	24Vdc	---	5	2900	170	2 wires L=310 mm	-20..+60	ball
3240517	LF3240517	9956MR	119x119x25	230	50	10	2250	104	2 flat plug 2.8x0.5	-40..+80	ball
3240614	601634	9956	119x119x25	230	50	14	2450	117	2 flat plug 2.8x0.5	-40..+70	ball
7108502	LF7108502	4314L	119x119x32	24Vdc	---	1.2	1550	95	2 wires L=310 mm	-20..+75	ball
5082543	LF5082543	4314R	119x119x32	24Vdc	---	5	2800	170	cable with connector	-20..+75	ball
1240313	602157	4414ML	119x119x38	24Vdc	---	3.2	3000	168	2 wires L=310 mm	-20..+80	ball
3540036	601656	4114NHH	119x119x38	24Vdc	---	12.4	5000	260	2 wires L=310 mm	-20..+65	ball
3340129	601754	4856Z	119x119x38	230	50	13	1700	100	2 flat plug 2.8x0.5	-40..+75	ball
3540008	LF3540008	ACi 4420 MLU-008	119x119x38	230	50/60	1.7	1850	100	cable with connector	-20..+75	ball
3540004	LF3540004	4586Z	119x119x38	230	50	13	1900	115	2 flat plug 2.8x0.5	-40..+75	ball
1240390	601089	4650N	119x119x38	230	50/60	19	2650	160	2 flat plug 2.8x0.5	-10..+55	sleeve
3240519	601458	4656N	119x119x38	230	50	19	2650	160	2 flat plug 2.8x0.5	-40..+85	ball
2102517	LF2102517	4656NU	119x119x38	230	50	19	2650	160	2 flat plug 2.8x0.5	-40..+85	ball
3340001	601030	4656Z	119x119x38	230	50	19	2650	160	2 flat plug 2.8x0.5	-40..+75	ball
3540032	LF3540032	4656ZW	119x119x38	230	50	19	2650	160	2 wires L=310 mm	-40..+75	ball
2101757	602257	4656ZU	119x119x38	230	50	19	2650	160	2 flat plug 2.8x0.5	-40..+85	ball
5063246	602211	4656ZWU	119x119x38	230	50	19	2650	160	2 wires L=310 mm	-40..+85	ball
3540069	LF3540069	ACi 4420 HU-014	119x119x38	230	50/60	3.9	3000	160	cable with connector	-20..+75	ball
3540071	LF3540071	ACi 4420 HH	119x119x38	230	50/60	4.6	3300	180	2 flat plug 2.8x0.5	-20..+75	ball
3240563	601635	5958	127x127x38	230	50	18	2750	180	2 flat plug 2.8x0.5	-30..+60	ball
3540033	601793	5656S	135x135x38	230	50	30	2700	235	2 flat plug 2.8x0.5	-35..+70	ball
3240634	601113	7056ES W2E142-BB01-01	172x150x38	230	50	29	2800	330	2 flat plug 2.8x0.5	-25..+55	ball
3240520	601088	7855ES W2S130-AA03-01	150x55	230	50/60	45	2800	325	2 wires L=330 mm	-25..+50	ball
5101588	LF5101588	W2S130-AA03-08	150x55	230	50/60	45/39	2800	325	2 wires L=1050 mm	-25..+50	ball
3240593	601631	7450ES W2S130-BM03-01	150x55	230	50	47	2700	380	2 wires L=330 mm	-25..+50	ball
3340130	601755	6058ES W2E143-AA09-01	172x51	230	50	24	2800	375	2 flat plug 2.8x0.5	-25..+70	ball
3540013	LF3540013	W2E250-HQ52-12	280x280x80	230	50	136	2500	1230	terminal strip w/ capacitor 3µF	-40..+80	ball

Axial motor fans

AXIAL FANS EBM

ebmpapst



LF code	GEV code	Model	Diameter mm	Volt	Hertz	Watt	Ampere	rpm	Air direction
3240594	LF3240594	A4E250-AA04-01	250	230	50/60	32	0.15	1420	S
5065202	LF5065202	A4S250-AH02-01	250	230	50/60	69	0.53	1390	S
3340169	LF3340169	A4E300-AS72-01	300	230	50/60	72	0.32	1380	S
3540054	602152	A4E300-AS72-19	300	230	50/60	72	0.32	1320	S
3340054	LF3340054	A4D300-AS34-01	300	400	50/60	68	0.14	1300	S
3240488	601622	A4E315-AC08-18	315	230	50	95	0.42	1370	B
3240484	601623	A4E315-AC08-19	315	230	50/60	95	0.42	1370	S
2102390	LF2102390	A4E315 AS20-01	315	230	50/60	110	0.52	1350	S
7102134	LF7102134	S4E315 DB74-09	315	230	50/60	100	0.45	1340	S
5073754	LF5073754	A6E330-AA02-10	330	230	50/60	70	0.33	910	S
3240549	601625	A4E330-AP18-01	330	230	50/60	110	0.54	1400	S
2102318	LF2102318	A4E330 AB16-19	330	230	50/60	100	0.45	1350	B
3340053	602010	A4E350-AQ02-09	350	230	50/60	180	0.8	1420	S
3540011	LF3540011	A4E350-AN02-01	350	230	50	165	0.73	1340	S
3240486	LF3240486	A4E400-AP02-01	400	230	50/60	160	0.73	1430	S
2101975	LF2101975	A4E400-AP02-02	400	230	50/60	160	0.73	1430	B
2101782	LF2101782	A4E400-AQ12-02	400	230	50	150	0.66	1400	B
3340147	LF3340147	A4D400-AP12-01	400	400	50/60	135	0.44	1450	S
3240388	602045	A4E450-AP01-01	450	230	50/60	245	1.1	1400	S
3340148	LF3340148	A4D450-AP01-01	450	400	50/60	200	0.48	1380	S
3340146	601628	A4D500-AM03-01	500	400	50	720-550	1.41-0.95	1390-1180	S

Axial motor fans

BASKET GUARD GRILLS FOR EBM FANS

ebmpapst



LF code	GEV code	Fan diameter mm	Height (mm)	Distance between fixing holes mm	Version	Photo
3240557	601954	250	62	300	Sucking	1
3240558	LF3240558	250	45	300	Blowing	1
2102231	LF2102231	300	57	360	Sucking	2
3240560	601949	300/315	65	368	Sucking	1
3240559	LF3240559	330	85	405	Sucking	2
3240561	LF3240561	350	85	422	Blowing/Sucking	2
2102235	LF2102235	400	80	470	Blowing/Sucking	2
3240562	601956	400	80	490	Blowing/Sucking	2
3240492	601957	450	85	522	Blowing/Sucking	2
3085001	LF3085001	450	95	522	Blowing/Sucking	2
3340145	601953	500	92.5	565	Blowing/Sucking	2

AXIAL FANS ZIEHL-ABEGG

ZIEHL-ABEGG



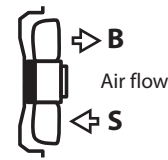
IA0300 5P28



FN



FB

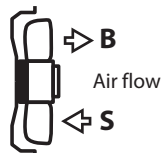


LF code	GEV code	Model	Diameter mm	Volt	Hertz	Watt	rpm	Air direction
2103992	LF2103992	IA0300 5P28	300	230	50	34	1330	B
3540088	LF3540088	FB035-4EK.WD.V5	350	230	50	150	1290	S
3240776	601972	FN040-4EK.0F.V7P1	400	230	50	240	1340	S
3540089	LF3540089	FN040-VDK.0F.V7P1	400	400	50	230	1360	S
3240615	601973	FB045-4EK.4F.V4P	450	230	50	480	1325	S
3240587	601974	FB045-VDK.4C.V4P	450	400	50	450	1360	S
3540031	LF3540031	FN050-4EK.4I.V7P1	500	230	50	720	1240	S
3240616	601976	FB050-VDK.4I.V4P	500	400	50	650	1340	S
3340128	601975	FN050-VDK.4I.V7	500	400	50	770	1300	S
3540030	LF3540030	FN050-6EK.4F.V7P3	500	230	50	270	900	S
3540029	LF3540029	FN050-SDK.4F.V7P1	500	400	50	290	880	S
3540090	LF3540090	FN050-VDS.4I.V7P1	500	400	50	490	1300	S
3540091	LF3540091	FB056-VDK.4I.V4L	560	400	50	640	1360	S
3540015	LF3540015	FB063-SDK.4I.V4P	630	400	50	480	860	S
3340189	601977	FN063-SDK.4I.V7	630	400	50	620	900	S
3540092	LF3540092	FN063-VDK.6N.V7P7	630	400	50	1750	1330	S

Complete with basket guard grill, electric box and starting capacitor

Axial motor fans

AXIAL FANS WEIGUANG



LF code	GEV code	Model	Diameter mm	Volt	Hertz	Watt	rpm	Air direction
3540068	LF3540068	YWF4E-250S	250	230	50	50	730	S
3240654	601880	YWF4E-300S	300	230	50	85	1350	S
5098706	LF5098706	YWF4E-300B	300	230	50	85	1350	B
3240655	601881	YWF4E-315S	315	230	50	95	1350	S
3240656	601882	YWF4E-330S	330	230	50	100	1300	S
3240657	601883	YWF4E-350S	350	230	50	126	1420	S
3240658	601884	YWF4E-400S	400	230	50	180	1380	S
3540084	LF3540084	YWF4D-400S	400	400	50	180	1420	S
3540061	601885	YWF6E-450S	450	230	50	110	875	S
5181720	LF5181720	YWF6D-450S	450	400	50	250	1350	S
3540085	LF3540085	YWF6E-500S	500	230	50	208	1320	S
3540086	LF3540086	YWF6D-500S	500	400	50	210	900	S
3540087	LF3540087	YWF6D-630S	630	400	50	550	900	S

Complete with basket guard grill, electric box and starting capacitor

Fan motors

ALUMINUM FANS FOR MOTORS



LF code	GEV code	Fan diameter mm	Pitches	Version
3240960	601566	154	28°	Sucking
3240961	601553	172	28°	Sucking
1240373	LF1240373	172	40°	Sucking
3240220	601070	200	28°	Sucking
3240222	601283	230	28°	Sucking
3240964	601567	254	28°	Sucking
3240965	601410	300	28°	Sucking
3240411	601568	154	28°	Blowing
3240412	601569	172	28°	Blowing
3240393	601570	200	28°	Blowing
3240394	601571	230	28°	Blowing
3240395	601573	254	28°	Blowing
3240403	601574	300	28°	Blowing

RINGS FOR MOTORS



LF code	GEV code	Fan diameter mm	External diameter mm	Height (mm)
3240408	601585	154	200	49
3240969	601586	172	220	49
3240970	601587	200	248	49
3240409	601588	230	278	49
3240971	601589	254	302	49
3240972	601590	300	350	49

ADJUSTABLE UNIVERSAL SUPPORT



LF code	GEV code	Height (mm)
3805029	LF3805029	72-150

MOTOR BRACKETS STRAIGHT



LF code	GEV code	Height (mm)	Distance between fixing holes mm
3240950	601597	39	81
3240951	601075	52	81
3240221	601576	72	81
3240223	601076	84	81
3240954	601578	109	78

MOTOR BRACKETS CROSS



LF code	GEV code	Height (mm)
3805024	LF3805024	59
3805025	LF3805025	73
3805026	LF3805026	82
3805027	LF3805027	112
3805028	LF3805028	120

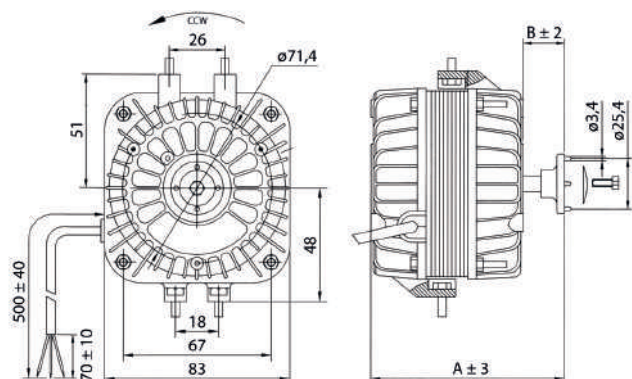
GRIDS FOR PENTAVALENT MOTORS



LF code	GEV code	Fan diameter mm	Height (mm)	Distance between fixing holes mm
3185088	601581	200	25	236
3185093	601582	230	27	266
3185089	602226	254	25	290
3185949	LF3185949	254	50	300
3185090	602227	300	28	344

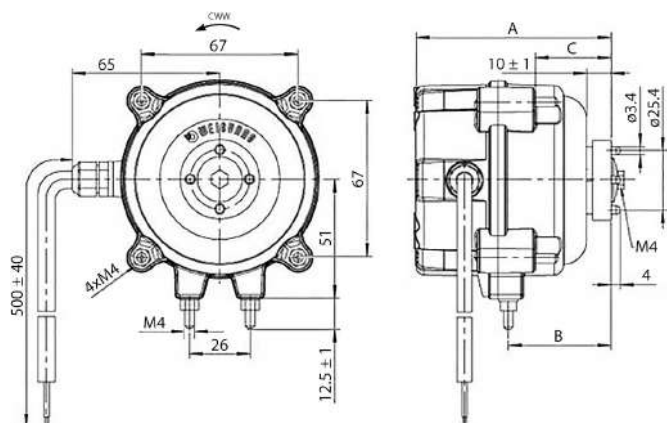
Fan motors

MOTORS WEIGUANG YZF PENTAVALENT



LF code	GEV code	Model	Watt in	Watt out	Volt	Hertz	Nominal speed rpm	A mm	B mm
3240910	601020	YZF 5-13-26	33	5	230	50/60	1300	83	15
3240911	601022	YZF 10-20-26	40	10	230	50/60	1300	89	15
3240912	601023	YZF 16-25-26	70	16	230	50/60	1300	94	14
3240913	601024	YZF 25-40-26	95	25	230	50/60	1300	113.5	18.5
3240914	601050	YZF 34-45-26	120	34	230	50/60	1300	122.5	22.5

ELECTRONIC MOTORS WEIGUANG ECM

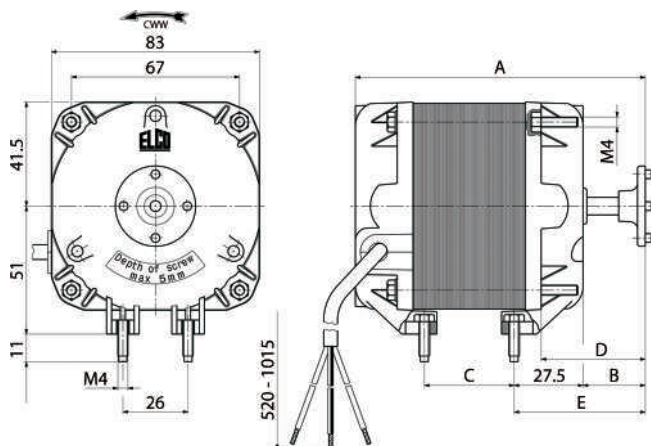


LF code	GEV code	Model	Power supply	Power Watt	Nominal speed rpm	A mm	B mm	C mm
3340256	601877	7108	220-240V 50/60Hz	7	1300	83	43.5	32.5
3340257	601878	7112	220-240V 50/60Hz	24	1300	87	43.5	32.5
3340258	601879	7120	220-240V 50/60Hz	32	1300	95	43.5	32.5

Energy saving

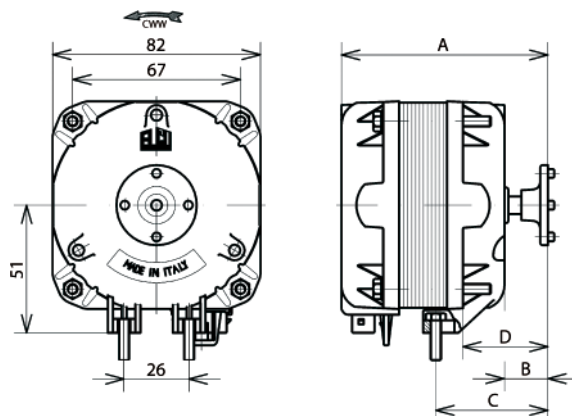
Fan motors

MOTORS ELCO N T3



LF code	GEV code	Model	Watt in	Watt out	Power supply	Nominal speed rpm	A mm	B mm	C mm	D mm	E mm
3240413	602222	N 25-40/1286	95	25	230V 50/60Hz	1300	101.5	15.5	31	32	43
3240414	602221	N 34-45/389	120	34	230V 50/60Hz	1300	119	28	36	45	55.5

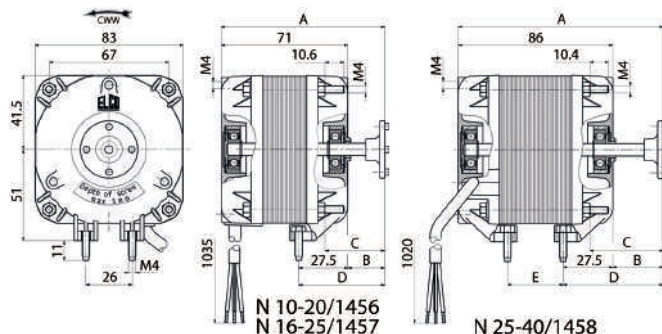
MOTORS ELCO N T4 PLUG-IN



LF code	GEV code	Model	Watt in	Watt out	Power supply	Nominal speed rpm	A mm	B mm	C mm	D mm
3340113	601890	N 10-20/079	38	10	230V 50/60Hz	1300	87	22	49	38
3340114	601891	N 16-25/110	65	16	230V 50/60Hz	1300	92	21	48	38

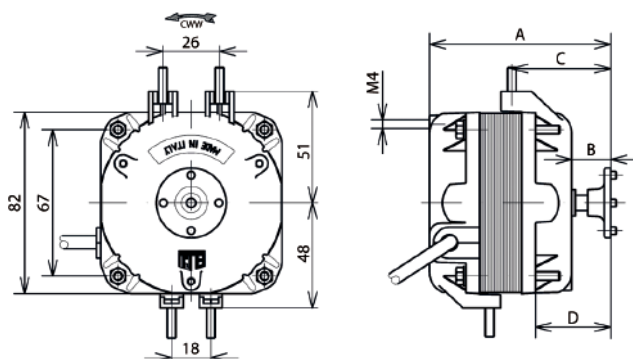
Fan motors

MOTORS ELCO N T4 WITH BEARING



LF code	GEV code	Model	Watt in	Watt out	Power supply	Nominal speed rpm	A mm	B mm	C mm	D mm	E mm
3340110	601762	N 10-20/1456	38	10	230V 50/60Hz	1300	86.5	21.5	34	49	
3340111	601763	N 16-25/1457	65	16	230V 50/60Hz	1300	91.5	20.5	33.5	48	
3340112	601764	N 25-40/1458	95	25	230V 50/60Hz	1300	114	28	40.5	55.5	31

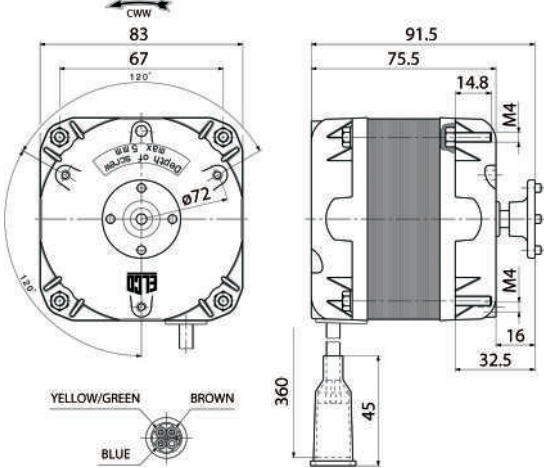
MOTORS ELCO N T5 PENTA VALENT



LF code	GEV code	Model	Watt in	Watt out	Power supply	Nominal speed rpm	A mm	B mm	C mm	D mm
3240210	601430	N 5-13	32	5	230V 50/60Hz	1300	80	21	48	38
3240211	601427	N 10-20	38	10	230V 50/60Hz	1300	87	22	48	38
3240902	601528	N 16-25	65	16	230V 50/60Hz	1300	92	21	48	38
3242829	602057	N 18-30	73	18	230V 50/60Hz	1300				
3240903	601529	N 25-40	95	25	230V 50/60Hz	1300	112	26	53	42
3240904	601530	N 34-45	120	34	230V 50/60Hz	1300	119	28	56	45

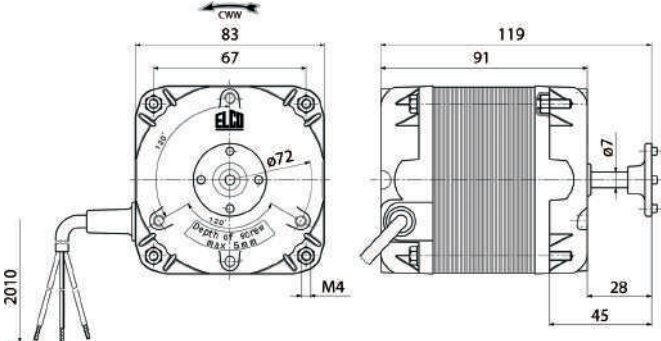
Fan motors

MOTORS ELCO N T7



LF code	GEV code	Model	Watt in	Watt out	Power supply	Nominal speed rpm	Shaft length mm
3340125	602220	N 25-30/839 (W26/A)	90	25	230V 50/60Hz	1300	16

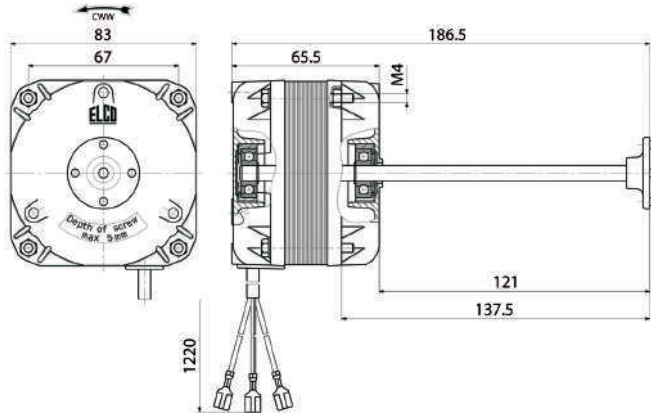
MOTORS ELCO N T7



LF code	GEV code	Model	Watt in	Watt out	Power supply	Nominal speed rpm	Shaft length mm
3340123	602218	N 25-45/1327	95	25	230V 50/60Hz	1300	28

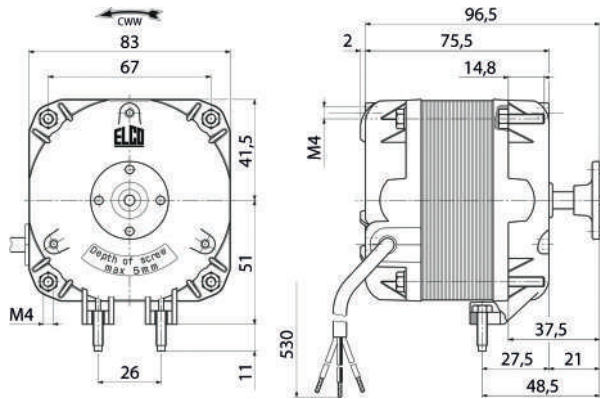
Fan motors

MOTORS ELCO N T7



LF code	GEV code	Model	Watt in	Watt out	Power supply	Nominal speed rpm	Shaft length mm
3340106	LF3340106	N 10-20/1796	38	10	230V 50/60Hz	1300	121

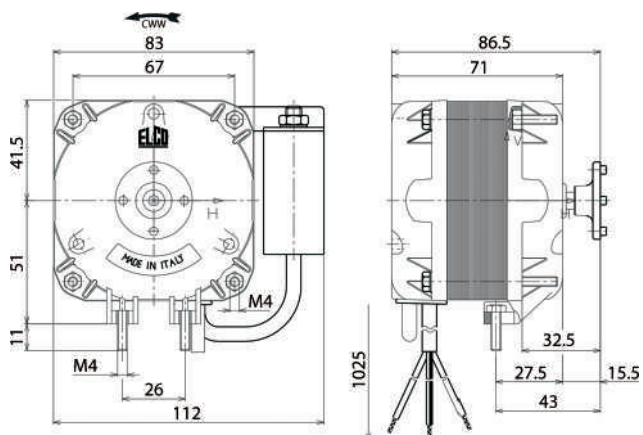
MOTORS ELCO N T8



LF code	GEV code	Model	Watt in	Watt out	Power supply	Nominal speed rpm	Shaft ø mm	Shaft length mm
7103478	602251	VNT 18-30/723	73	18	230V 50/60Hz	1300	21	7

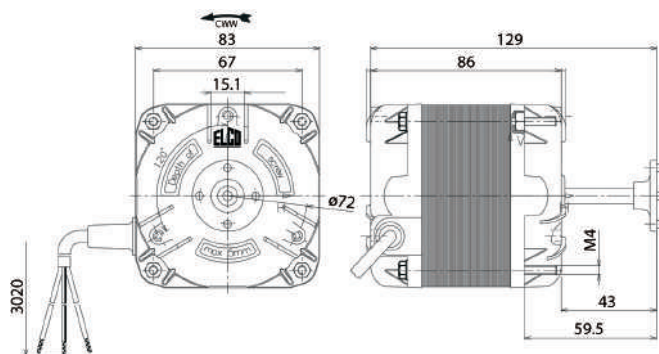
Fan motors

MOTORS ELCO R



LF code	GEV code	Model	Watt in	Watt out	Power supply	Nominal speed rpm	Capacitor μ F	Shaft length mm
3240383	601608	R 18-25/002	62	18	230V 50/60Hz	2600	2	15.5

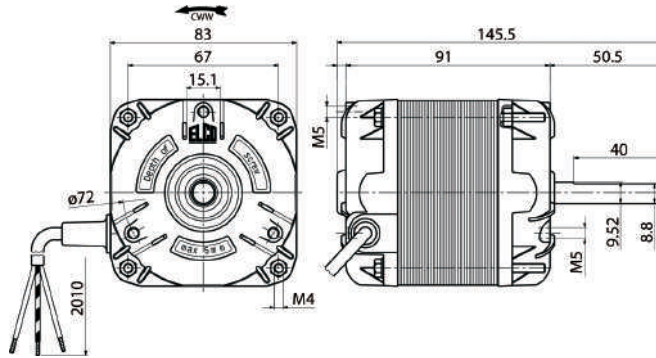
MOTORS ELCO N T8



LF code	GEV code	Model	Watt in	Watt out	Power supply	Nominal speed rpm	Shaft ϕ mm	Shaft length mm
3240428	602212	N 25-40/716	105	25	230V 50/60Hz	1300	43	7

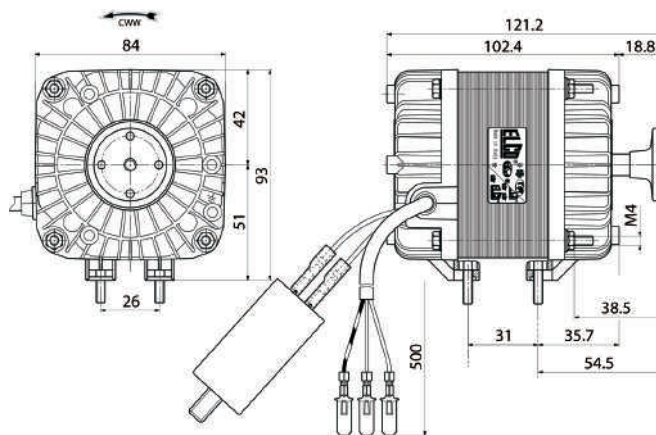
Fan motors

MOTORS ELCO N T8



LF code	GEV code	Model	Watt in	Watt out	Power supply	Nominal speed rpm	Shaft ø mm	Shaft length mm
3340048	LF3340048	N 25-45/887	95	25	230V 50/60Hz	1300	50.5	9.52

MOTORS ELCO 3FBT

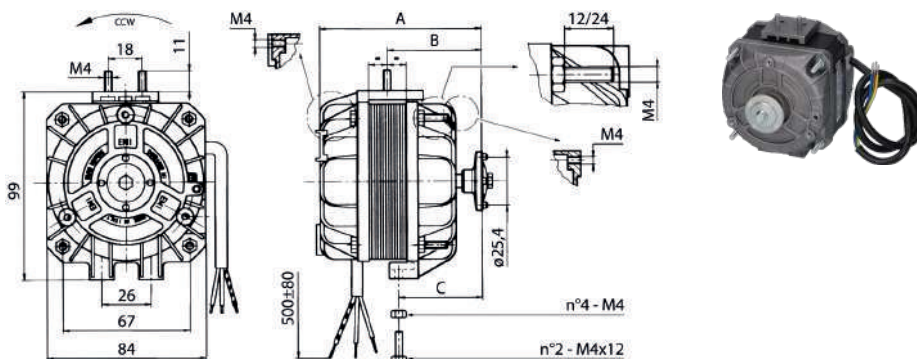


LF code	GEV code	Model	Watt in	Watt out	Power supply	Nominal speed rpm	Capacitor μF	Shaft ø mm	Shaft length mm
3240490	601420	3FBT 50-40/15	120	45	230V 50/60Hz	1300	2	19	9.52

Fan motors

MOTORS EMI 5-82 CE PENTAVALENT

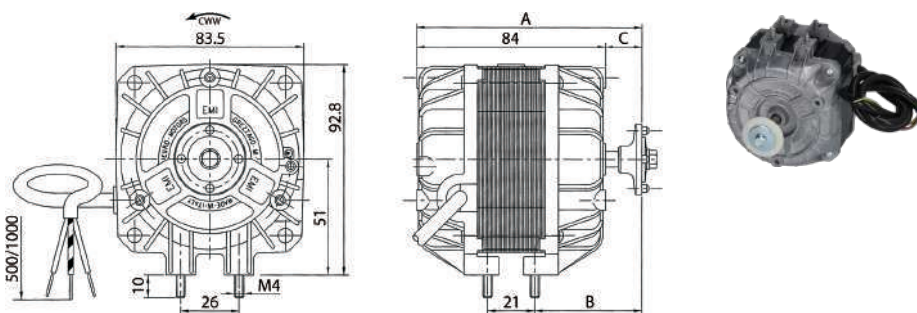
**EURO
MOTORS
ITALIA**



LF code	GEV code	Model	Power supply	Watt in	Watt out	Nominal speed rpm	A mm	B mm	C mm
3240637	602214	5-82-CE 1305	30	5	230V 50/60Hz	1300	79	46	44.5
3240635	602213	5-82-CE 2010	40	10	230V 50/60Hz	1300	86	50	44.5
3340218	LF3340218	5-82-CE 2010/4	40	10	230V 50/60Hz	1300	97.5	60.5	55
3240636	602273	5-82-CE 3016	70	16	230V 50/60Hz	1300	96	55	44.5
3340126	602064	5-82-CE 3016/4	70	16	230V 50/60Hz	1300	106	65	54.5
3340124	602215	5-82-CE 4025	115	25	230V 50/60Hz	1300	106	60	44.5
3340127	602216	5-82-CE 4025/5	115	25	230V 50/60Hz	1300	124	78	62.5

MOTORS EMI 82E

**EURO
MOTORS
ITALIA**

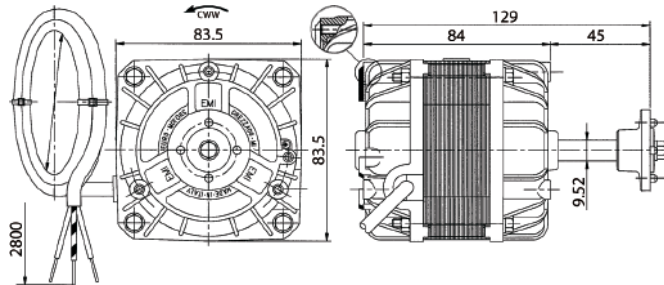


LF code	GEV code	Model	Watt in	Watt out	Power supply	Nominal speed rpm	A mm	B mm	C mm
5004173	LF5004173	83E-3016/11	75	16	230V 50/60Hz	1300	97.5	45	13.5
1240122	LF1240122	82E-3016/55	75	16	230V 50/60Hz	1300	114	61.5	30

Fan motors

MOTORS EMI 82CE

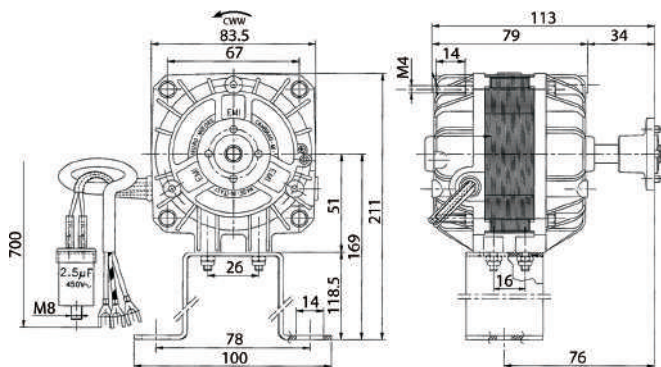
**EURO
MOTORS
ITALIA**



LF code	GEV code	Model	Watt in	Watt out	Power supply	Nominal speed	Shaft ø mm	Shaft length mm
3340195	LF3340195	82CE-3025/G1	120	25	230V 50/60Hz	1300	9.52	45

MOTORS EMI 83D

**EURO
MOTORS
ITALIA**

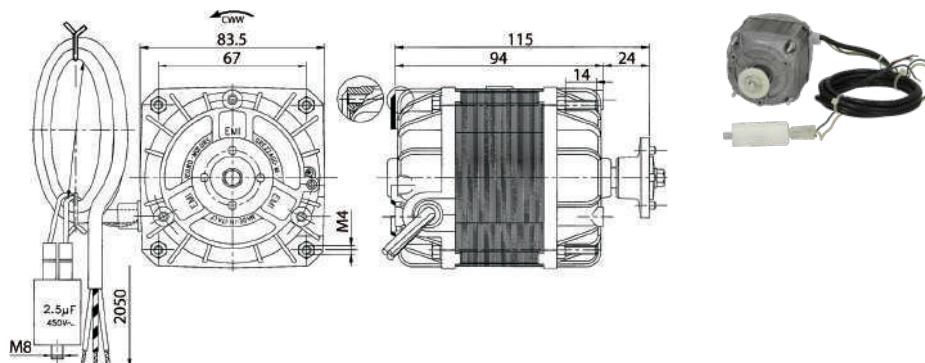


LF code	GEV code	Model	Watt in	Watt out	Power supply	Nominal speed rpm	Capacitor µF	Shaft ø mm	Shaft length mm
3240631	601524	83D-2535/23	95	35	230V 50/60Hz	1300	2.5	9.52	34

Fan motors

MOTORS EMI 83D

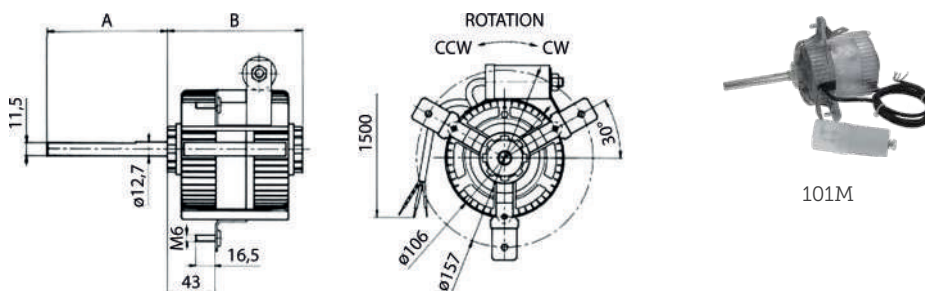
**EURO
MOTORS
ITALIA**



LF code	GEV code	Model	Watt in	Watt out	Power supply	Nominal speed rpm	Capacitor μ F	Shaft ϕ mm	Shaft length mm
3240905	LF3240905	83D-4050/16	100	50	230V 50/60Hz	1300	2.5	9.52	24

MOTORS EMI 101M

**EURO
MOTORS
ITALIA**

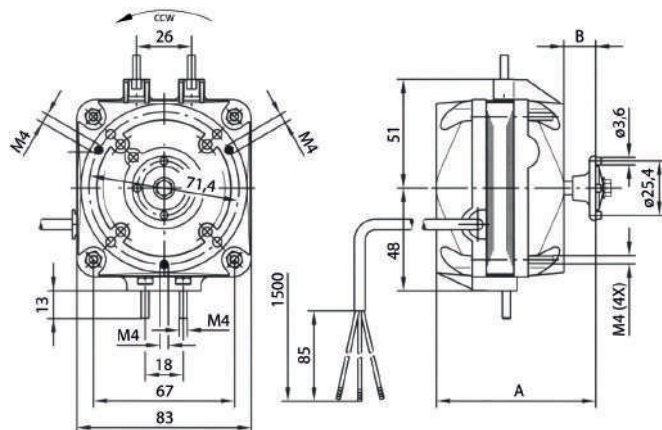


LF code	GEV code	Model	Power supply	Watt IN	Watt OUT	Ampere	Speed rpm	Capacitor μ F	A mm	B mm	Rotation
3340198	LF3340198	101M-3070/R	230V 50Hz	145	70	0.7	1300	5	60	120	CW/CCW
3340197	LF3340197	101M-40120/R	230V 50Hz	245	120	1	1300	10	80	141	CW/CCW
3240881	601554	101M-50130/3	230V 50/60Hz	190	130	0.8	1300	3.15	80	141	CCW
3340196	LF3340196	101M-50150/R	230V 50Hz	270	150	1.3	1300	12.5	110	141	CW/CCW

Fan motors

MOTORS EBM M4Q045 PENTA VALENT

ebmpapst

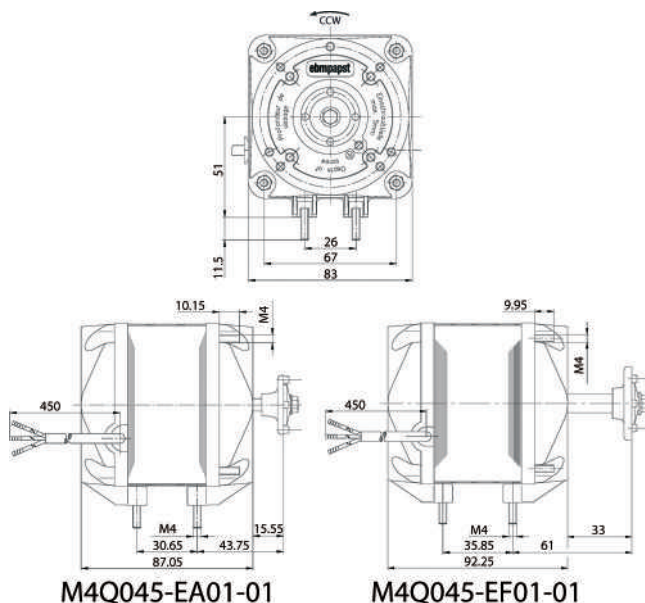


M4Q045

LF code	GEV code	Model	Watt in	Watt out	Volt	Hertz	Nominal speed rpm	A mm	B mm
3240581	601756	M4Q045-BD01-75	29	5	230	50/60	1300	76	15
3240580	601757	M4Q045-CA03-75	36	10	230	50/60	1300	82	15
3240626	601758	M4Q045-CF01-75	60	16	230	50/60	1300	87	15
3240627	601759	M4Q045-DA01-75	70	18	230	50/60	1300	93	15
3240628	601760	M4Q045-EA01-75	90	25	230	50/60	1300	103	15.5
3240629	601761	M4Q045-EF01-75	110	34	230	50/60	1300	125	33

MOTORS EBM M4Q045

ebmpapst



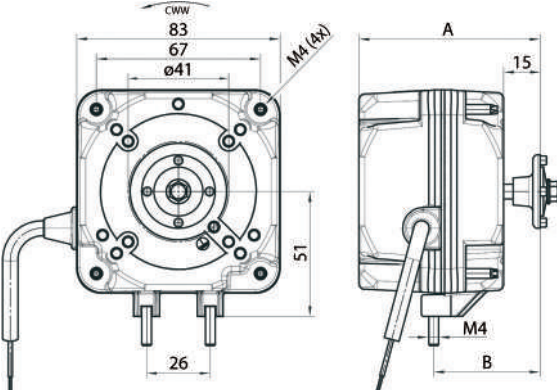
M4Q045-EA01-01

M4Q045-EF01-01

LF code	GEV code	Model	Watt in	Watt out	Volt	Hertz	Nominal speed rpm
3805015	601952	M4Q045-EA01-01	90	25	230	50/60	1300

Fan motors

ELECTRONIC MOTORS EBM iQ



iQ

LF code	GEV code	Model	Power supply	Power Watt	Nominal speed rpm	A mm	B mm
3340055	601893	iQ3612	230V 50/60Hz	10	1300	82	43.5

Energy saving

Telethermometers

TELETHERMOMETERS 11x62 mm



LF code	GEV code	Model	Colour	Bulb	Temperature range	Capillary mm
3441069	541160	ARTHERMO RN2	Black	ø 8.5x20 mm	-30..+40°C	1500
3441079	541414	CEWAL TRR 62.11	White	ø 8.5x20 mm	-40..+40°C	1500

TELETHERMOMETERS 58x25 mm



Photo	LF code	GEV code	Brand	Colour	Model	Bulb	Temperature range	Capillary mm
1	3441090	LF3441090	ARTHERMO	Black	ROF-88	ø 8.4x25 mm	-30..+40°C	1500
1	3441001	541080	ARTHERMO	Black	ROF-88	ø 8.4x25 mm	-40..+40°C	2500
2	3441913	541191	ARTHERMO	Black	ROF-88	ø 6x60 mm	-40..+40°C	2500
3	3441078	LF3441078	ARTHERMO	Black	ROF-88	ø 6x30 mm	-40..+40°C	2000
4	3441081	541081	CEWAL	White	TR58.25 P	ø 8.4x20 mm	-40..+40°C	1000
5	3441082	LF3441082	WIKA	White		ø 8.5x29 mm	-40..+40°C	700

TELETHERMOMETERS ø 52 mm



Photo	LF code	GEV code	Bulb	Temperature range	Capillary mm
1	3441901	542479	ø 6x50 mm	-40..+40°C	1500
2	3441002	LF3441002	ø 7,5x40 mm	-40..+40°C	2500
3	3441077	LF3441077	ø 6x50 mm	-40..+40°C	1500

Telethermometers

TELETHERMOMETERS ø 60 mm



1

Photo	LF code	GEV code	Bulb	Temperature range	Capillary mm
1	3441003	541082	ø 6x150 mm	-40..+40°C	2000

TELETHERMOMETERS F87R WITH REVERSIBLE FLANGE



LF code	GEV code	Body diameter mm	Bulb	Temperature range	Capillary mm
3441931	542489	60	ø 7.5x30 mm	-40..+40°C	1500
3441932	LF3441932	80	ø 7.5x30 mm	-40..+40°C	1500
3441933	LF3441933	100	ø 7.5x30 mm	-40..+40°C	1500

Thermostats

THERMOSTATS RANCO SERIES K VARIFIX

RANCO



LF code	GEV code	Model	Warm	Capillary length mm	Used for	Cold
D444072	391054	K50 P1110	+2°C	1200	Refrigerators	-14.5/-23.5°C
3444918	390545	K50 P1125	+8.5°C	1200	Refrigerators	-9.5/-18°C
3444887	LF3444887	K60 P1013	-4/-10°C	1200	Refrigerators with manual defrost	-25°C
D444075	391056	K54 P1102	-12/-16.5°C	2000	Freezers active signal	-34°C
3444956	390272	K50 P1117	-12/-16.5°C	2000	Freezers without signal	-34°C
D444068	391064	K59 L1102	+3.5/-11°C	1200	Refrigerators with automatic defrost	+3.5/-26°C
3444919	390285	K50 P1115	+11°C	2000	Liquid / bottle coolers	+4/+1.5°C
3444819	LF3444819	K50 P1118	+12.5°C	1200	Liquid / bottle coolers	+2/-3°C

THERMOSTATS PRODIGY

PRODIGY
italiana



F2000



2000A



TR711N

LF code	GEV code	Model	Range	Capillary length mm
3444993	390536	F2000	-35/+35°C	1500
3444976	390537	F2000	0/+40°C	1500
3444800	LF3444800	F2000	0/+60°C	1500
3444801	390595	F2000	+30/+90°C	1500
3444799	390952	F2000	+30/+120°C	1500
3444996	390538	2000A	-35/+35°C	-
3444977	LF3444977	2000A	0/+40°C	-
3444172	390534	TR711N	-35/+35°C	1500
3744235	390535	TR711N	0/+40°C	1500

Thermostats

THERMOSTATS



1



2

Photo	LF code	GEV code	Range	Capillary length mm
1	3744129	390012	-35/+35°C	1500
2	3744130	390011	-35/+35°C	-
3	3744231	390674	0/+40°C	1500
4	3744229	390010	-35/+35°C	1500
5	3744230	390673	0/+40°C	1500

THERMOSTATS ARTERMO

ARTHERMO®



ARTH093/096



ARTH094/095



ARTH090

LF code	GEV code	Model	Range	Capillary mm
3744127	LF3744127	ARTH093	-35..+35°C	1500
3744128	LF3744128	ARTH094	-35..+35°C	
3744131	LF3744131	ARTH096	0..40°C	1500
3744133	LF3744133	ARTH090	0..40°C	spiral
3744132	LF3744132	ARTH095	0..40°C	

THERMOSTATS ARTERMO

ARTHERMO®



TR2



TSC 093C



TSC 094C



TSC 093C+24W

LF code	GEV code	Model	Range	Capillary mm
3444989	391082	TR2	-35..+35°C	1500
3444987	LF3444987	TSC 093C	-35..+35°C	1500
3444988	LF3444988	TSC 094C	-35..+35°C	
3444986	LF3444986	TSC 093C+24W	-35..+35°C	1000

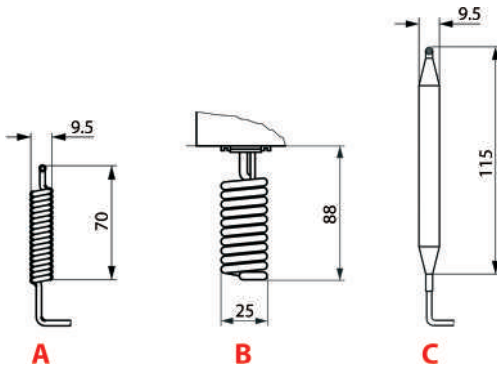
Thermostats

THERMOSTATS DANFOSS SERVICE KIT



LF code	GEV code	Model	Warm	Cold	Capillary length mm	Used for
3444879	390552	077B-7001	+2/-5.5°C	1300	Refrigerators	-13.5/-25°C
3444880	390553	077B-7002	+0/-7.5°C	1300	Refrigerators with manual defrost	-12/-22°C
3444881	390554	077B-7003	+3.5/-11°C	1600	Refrigerators with automatic defrost	+3.5/-27.5°C
3444882	390555	077B-7004	+3.5/-1°C	1600	Absorption coolers	-5.5/-11°C
3444883	390556	077B-7005	-7.8/-15°C	2300	Freezers without signal	-21/-32.5°C
3444951	390557	077B-7006	-10/-17°C	2300	Freezers active signal	-24/-34.5°C
3444884	390558	077B-7007	-10/-17°C	2300	Freezers passive signal	-24/-34.5°C
3444533	390559	077B-7008	+11.5/+6°C	2000	Liquid / bottle coolers	-1/-8.5°C
3444541	390677	077B-0028	+10.5/+5°C	1200	Liquid / bottle coolers	+3/-4.5°C

THERMOSTATS DANFOSS KP



KP

LF code	GEV code	Model	Calibration range	Bulb type	Reset	Differential
3744103	390487	KP61-060L1128	-30..+13°C	A	aut w/hand switch	2..10°C
3744163	LF3744163	KP61-060L1182	-30..+13°C	A	aut	2..10°C
3444890	390494	KP62-060L1110	-30..+15°C	B	aut w/hand switch	2..10°C
3444544	390491	KP71-060L1115	-5..+20°C	C	man	-
3444895	390490	KP71-060L1113	-5..+20°C	C	aut	2..10°C

Electronic controllers

ACCESSORIES FOR CONTROLLERS



Photo	LF code	GEV code	Description
1	7101290	LF7101290	plastic protection
2	3445442	LF3445442	Plastic protection for standard formats (71x29) on terminal blocks

ADAPTERS FOR CONTROLLERS

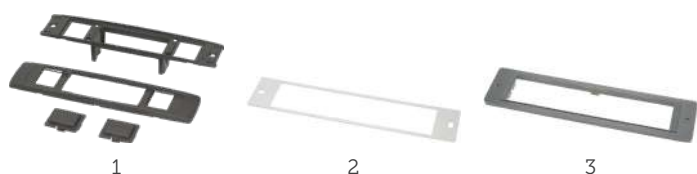


Photo	LF code	GEV code	Description
1	3445305	378551	plastic adapter reduce hole from 150x31 mm to 71x29 mm
2	3445407	LF3445407	aluminium adapter reduce hole from 150x31 mm to 138x29 mm
3	3445406	381303	plastic adapter EVCO for EVS

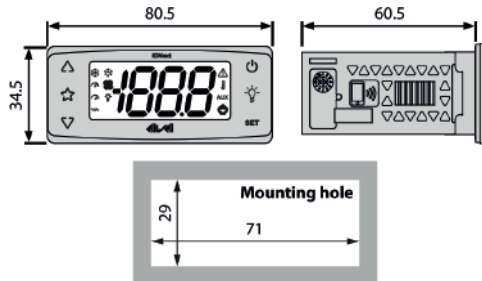
DIGITAL THERMOMETERS



LF code	GEV code	Model	Power supply	Probe	Display	Mounting hole	Depth	Features
3445294	379778	EUREMA TE01	230V	PTC	59x26 mm	58 mm		2 red digits
5060764	378472	EUREMA TE01DEF	230V	PTC	59x26 mm	73 mm	output df 230V	
3445160	379518	AKO D14023	230V	NTC (included)	71x29 mm	43 mm		3 red digits
3445537	378274	ARTHERMO ROF-DIG	230V	NTC (included)	59x26 mm			3 red digits
7101730	LF7101730	DIXELL XT11S-0010N	12Vac/dc	NTC (included)	59x26 mm	20 mm	1 min delay time - offset adjustment +/-10°C	3 red digits
3445351	378693	DIXELL XT11S-5000N	230V	NTC (included)	59x26 mm	20 mm	offset adjustment +/-10°C	3 red digits
2101714	LF2101714	ELIWELL EM300LX	12Vac/dc	NTC	71x29 mm	30 mm	serial port TTL	3 red digits
3445259	378701	ELIWELL EM300LX	230V	NTC	71x29 mm	30 mm	serial port TTL	3 red digits

Electronic controllers

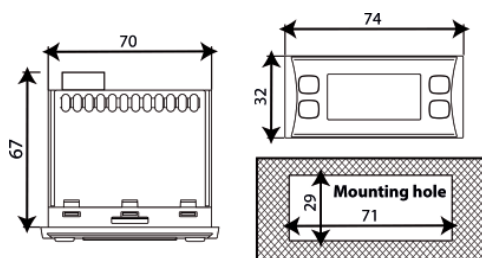
ELECTRONIC CONTROLLERS ELIWELL ID NEXT



IDNEXT

LF code	GEV code	Model	Relay outputs	Power supply	Probe	Digital input	RTC
3445600	LF3445600	IDNEXT902P	10A Comp	12Vac/dc	1-NTC/PTC/PT1000	1	
3445601	LF3445601	IDNEXT902P	10A Comp	230V	1-NTC/PTC/PT1000	1	
3445602	LF3445602	IDNEXT961P	20A Comp	12Vac/dc	1-NTC/PTC/PT1000	1	
3445603	LF3445603	IDNEXT961P	20A Comp	230V	1-NTC/PTC/PT1000	1	
3445604	LF3445604	IDNEXT971P/B	20A Comp-8A Def	12Vac/dc	2-NTC/PTC/PT1000	2	
3445605	LF3445605	IDNEXT971P/B	20A Comp-8A Def	230V	2-NTC/PTC/PT1000	2	
3445606	LF3445606	IDNEXT974P/B	20A Comp-8A Def-5A Fan	12Vac/dc	2-NTC/PTC/PT1000	2	
3445607	LF3445607	IDNEXT974P/B	20A Comp-8A Def-5A Fan	230V	2-NTC/PTC/PT1000	2	
3445608	LF3445608	IDNEXT974P/C	20A Comp-8A Def-5A Fan	230V	2-NTC/PTC/PT1000	2	X
3445609	LF3445609	IDNEXT974P/CI	VSC 16Vdc-8A Def-10A Fan	230V	2-NTC/PTC/PT1000	2	X
3445611	LF3445611	IDNEXT978P/B	10A Comp-8A Def-5A Fan-5A Alarm	230V	2-NTC/PTC/PT1000	2	
3445612	LF3445612	IDNEXT978P/C	10A Comp-8A Def-5A Fan-5A Alarm	230V	2-NTC/PTC/PT1000	2	X
3445610	LF3445610	IDNEXT978P/CI	VSC 16Vdc-8A Def-10A Fan-5A Alarm	230V	2-NTC/PTC/PT1000	2	X

ELECTRONIC CONTROLLERS ELIWELL ID-ID PLUS



ID PLUS

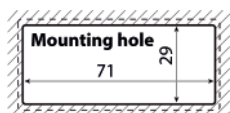


ID

LF code	GEV code	Model	Relay outputs	Power supply	Probe	Digital input	RTC
3445399	378644	IDPLUS 902	8A Comp	12Vac/dc	1-NTC/PTC/PT1000	1	
3445375	378303	IDPLUS 902	8A Comp	230V	1-NTC/PTC/PT1000	1	
3445400	379837	IDPLUS 961	20A Comp	12Vac/dc	1-NTC/PTC/PT1000	1	
3445376	378298	IDPLUS 961	20A Comp	230V	1-NTC/PTC/PT1000	1	
3445401	378437	IDPLUS 971	20A Comp-8A Def	12Vac/dc	2-NTC/PTC/PT1000	2	
3445377	378304	IDPLUS 971	20A Comp-8A Def	230V	2-NTC/PTC/PT1000	2	
3445402	379836	IDPLUS 974	20A Comp-8A Def-5A Fan	12Vac/dc	2-NTC/PTC/PT1000	2	
3445378	378299	IDPLUS 974	20A Comp-8A Def-5A Fan	230V	2-NTC/PTC/PT1000	2	
3445066	378136	ID975LX	8A Comp-8A Def-5A Fan-5A Alarm	12Vac/dc	2-NTC/PTC	1	
3445389	378436	IDPLUS 978	16A Comp-8A Def-5A Fan-5A Alarm	230V	2-NTC/PTC/PT1000	2	
3445067	LF3445067	ID985LX	8A Comp-8A Def-8A Fan-5A Alarm	12Vac/dc	3-NTC/PTC	2	x

Electronic controllers

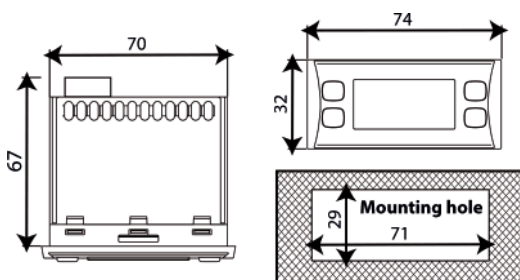
ELECTRONIC CONTROLLERS ELIWELL IC PLUS



IC

LF code	GEV code	Model	Relay outputs	Power supply	Probe	Unit of measurement
3445088	379790	IC PLUS 915	8A Out1-8A Out2	12Vac/dc	1-NTC/PTC	°C
3445089	379832	IC PLUS 915	8A Out1-8A Out2	230V	1-NTC/PTC	°C
3445043	378380	IC915LX/P	8A Out1-8A Out2	230V	0-20 mA/4-20 mA	Bar
3445044	379830	IC PLUS 902	8A Conf.	230V	0-1V 0-5V 0-10V 0-20mA 4-20mA	%RH

ELECTRONIC CONTROLLERS ELIWELL EW-EW PLUS



EW

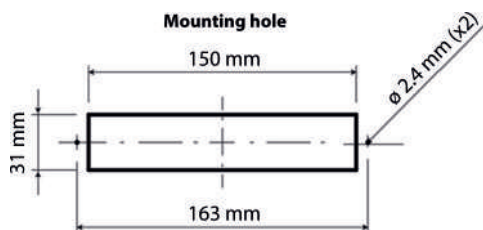


EW PLUS

LF code	GEV code	Model	ELIWELL code	Relay outputs	Power supply	Probe	Digital input	Suitable for
3445478	LF3445478	EW961	EW17DI0XCH705	2Hp Comp	230V	1-NTC	1	configured TECNODOM
3445414	381403	EWPlus 974	EW2EDI0XC4715	2Hp Comp-8A Aux-5A Aux	230V	2-NTC	1	configured ISA TASSELLI
3445415	381546	EWPlus 974	EW2EDI0XC4716	12A Comp-8A Aux-5A Aux	230V	2-NTC	1	configured ISA TASSELLI

Electronic controllers

ELECTRONIC CONTROLLERS ELIWELL IWC



IWC-S

IWC

LF code	GEV code	Model	Relay outputs	Power supply	Probe	Digital input	Depth mm
3445079	LF3445079	IWC720S	16A Comp-8A Light	230V	1-NTC Faston 2.8 mm	1	45
3445525	378142	IWC720S	16A Comp-8A Light	230V	1-NTC JST	1	45
3445085	378141	IWC730S	16A Comp-20A Def-8A Fan	230V	2-NTC	1	45
3445078	378139	IWC750	16A Comp-20A Def-8A Fan-8A Alarm-8A Aux/Light	230V	2-NTC	1	69
5115983	378520	IWC750 C.L.	16A Comp-20A Def-8A Fan-8A Alarm-8A Aux/Light	230V	2-NTC	1	69

BOARDS DISPLAY ELIWELL IWK WIDE



LF code	GEV code	Model	Features
3445388	378216	IWK WIDE	6 buttons keyboard

ELECTRONIC CONTROLLERS ELIWELL IS-EWEM



IS



EWEM



Cable

LF code	GEV code	Model	Description	Relay outputs	Power supply	Probe	DI	Depth mm	Dimensions LxHxD mm
3445037	379398	IS972LX				1	30		Remote display
3445038	379533	EWEM233	15A Comp-10A Fan-16A Def	230V	2-NTC/PTC			70x85x53	Power unit
2102327	378138	IS974LX				1	30		Remote display
5061869	378140	EWEM243	15A Comp-10A Def-8A Fan-8A Aux/Alarm	230V	2-NTC/PTC			70x85x53	Power unit
3445027	379534	10 poles							telephone cable 1000 mm
2111317	381400	10 poles							telephone cable 3000 mm

Electronic controllers

ELECTRONIC CONTROLLERS ELIWELL EWDR

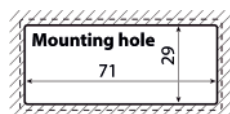


EWDR

LF code	GEV code	Model	Relay outputs	Power supply	Probe	Digital input	Serial port RS-485	RTC	Dimensions LxHxW mm
3445069	378205	EWDR 981	16A Comp	230V	2-NTC/PTC	2			70x85x61
3445071	378696	EWDR 983	16A Comp-8A Def	230V	3-NTC/PTC	2			70x85x61
2102027	378378	EWDR 983 CS LX	16A Comp-8A Def	230V	3-NTC/PTC	2	x	x	70x85x61
3445526	378206	EWDR 985	16A Comp-8A Def-8A Fan-8A Light	230V	3-NTC/PTC	2			70x85x61
3445072	378379	EWDR 985 CS LX	16A Comp-8A Def-8A Fan-8A Light	230V	3-NTC/PTC	2	x	x	70x85x61

mounting on DIN slideway

ELECTRONIC CONTROLLERS DIXELL XR-CX E-CLASS

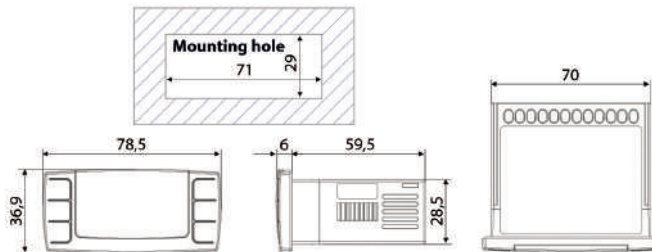


XR-CX SHORT

LF code	GEV code	Model	Relay outputs	Power supply	Probe	Digital input
3445440	378267	XR02CX-5N0C1	20A Comp	230V	1-NTC	1
3445443	LF3445443	XR03CX-5N0C1	20A Comp-8A Aux	230V	1-NTC	1
3445444	LF3445444	XR04CX-5N0C1	20A Comp-8A Defr	230V	2-NTC	
3445207	LF3445207	XR04CX-5N0C1	20A Comp-8A Fan	230V	2-NTC	
3445441	378273	XR06CX-5N0C1	20A Comp-8A Def-5A Fan	230V	2-NTC	1

Electronic controllers

ELECTRONIC CONTROLLERS DIXELL XR-CX



XR-CX

LF code	GEV code	Model	Relay outputs	Power supply	Probe	Digital input
2102676	402192	XR10CX-5N0C1	20A Comp	230V	1-NTC/PTC	1
3445170	378700	XR20CX-0N0C1	20A Comp	12Vac/dc	1-NTC/PTC	1
3445171	378000	XR20CX-5N0C1	20A Comp	230V	1-NTC/PTC	1
3445172	378736	XR30CX-0N0C1	20A Comp-8A Aux/Alarm	12Vac/dc	1-NTC/PTC	1
3445173	379665	XR30CX-5N0C1	20A Comp-8A Aux/Alarm	230V	1-NTC/PTC	1
3445174	LF3445174	XR40CX-0N0C1	20A Comp-8A Def	12Vac/dc	2-NTC/PTC	1
3445175	378384	XR40CX-5N0C1	20A Comp-8A Def	230V	2-NTC/PTC	1
3445412	LF3445412	XR44CX-0N0C8	16A Comp1-16A Comp2-16A Def1-16A Def2	12Vac/dc	3-NTC/PTC	1
3445298	LF3445298	XR60CX-0N0C3	16A Comp-8A Def-8A Fan	12Vac/dc	2-NTC/PTC	1
5030321	378224	XR60CX-5N0C0	8A Comp-8A Def-5A Fan	230V	2-NTC/PTC	1
3445297	402144	XR60CX-5N0C1	20A Comp-8A Def-5A Fan	230V	2-NTC/PTC	1
5072543	LF5072543	XR64CX-5N0C0	8A Comp-8A Def1-8A Def2-5A Fan	230V	3-NTC/PTC	1
3445248	LF3445248	XR70CX-0N0C8	16A Comp-16A Def-16A Fan-16A Light/Alarm	12Vac/dc	2-NTC/PTC	1
3445390	378221	XR70CX-5N0C3	16A Comp-8A Def-5A Fan-8A Light/Alarm	230V	2-NTC/PTC	1
3445428	378492	XR72CX-0N0C8-U	16A Comp1-16A Comp2-16A Def-16A Fan	12Vac/dc	2-NTC	1
7106793	LF7106793	XR72CX-0N0C8	16A Comp1-16A Comp2-16A Def-16A Fan	12Vac/dc	2-NTC	1
5140068	LF5140068	XR75CX-5N7I3	16A Comp-8A Def-8A Light/Aux-5A Fan	230V	4-NTC	2
7106545	378730	XR80CX-5N0C1	20A Comp-8A Agt	230V	1-NTC	1

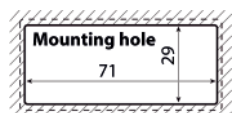
ELECTRONIC CONTROLLER DIXELL UNIVERSAL R4



LF code	GEV code	Model	Relay outputs	Power supply	Probe	Digital input
3445396	381408	UNIVERSAL R4	8A Comp-8A Def-7A Fan-8A Aux/Alarm	12Vac/dc-230V	2-NTC/PTC	2

Electronic controllers

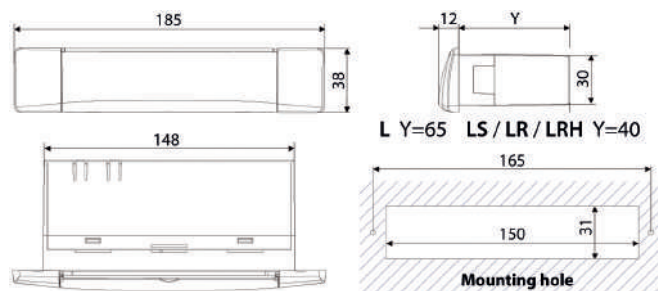
ELECTRONIC CONTROLLERS DIXELL XR-CH



XR-CH

LF code	GEV code	Model	Relay outputs	Power supply	Probe	Digital input
3445518	LF3445518	XR10CH-5N2C1	20A Comp	230V	1-NTC	1
5116646	378532	XR20CH-5N0C1	20A Comp	230V	1-NTC	1
3445451	LF3445451	XR20CH-5R0C1	20A Comp	230V	1-NTC	1
3445543	378488	XR20CH-5G0C3	16A Comp	230V	1-NTC	1
5116757	378558	XR30CH-5N0C1	20A Comp-8A Light/Allarm	230V	1-NTC	1
3445412	LF3445412	XR44CH-0N0C8	16A Comp1-16A Comp2-16A Def1-16A Def2	12Vac/dc	3-NTC	1
3445452	LF3445452	XR60CH-5R0C1	20A Comp-8A Def-5A Fan	230V	2-NTC	1
3445519	LF3445519	XR60CH-5N2C1	20A Comp-8A Def-5A Fan	230V	2+1-NTC	1
3445520	LF3445520	XR70CH-5N2C3	16A Comp-8A Def-5A Fan-8A Alarm	230V	2+1-NTC	1

ELECTRONIC CONTROLLERS DIXELL XW-L/LS/LR/LRH



XW-LH

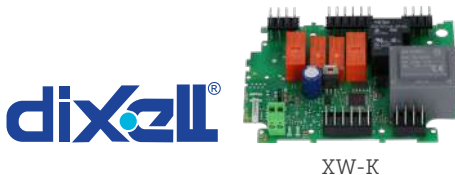
LF code	GEV code	Model	Relay outputs	Power supply	Probe	Digital input	X-REP
5049126	378697	XW20LS-5N0C0	20A Comp-8A Conf	230V	2-NTC		
5075191	LF5075191	XW20LS-5N6C3-W	20A Comp-8A Conf	230V	2-NTC		
3445178	378222	XW20LS-5N0C1	20A Comp-8A Light	230V	1-NTC	1	
3445449	378703	XW20LR-5N0C0	20A Comp-8A Light	230V	2-NTC	1	
3445453	LF3445453	XW20LRH-5N0C0-D	16A Comp-8A Light	230V	2-NTC	2	
3445180	378228	XW20L-5N0C1	20A Comp-8A Light	230V	1-NTC	2	
2104028	LF2104028	XW30LS-5N0C1	20A Comp-8A Fan-8A Light	230V	1-NTC		
5078111	LF507811	XW30LSH-5N0W3-D	20A Comp-8A Light/Def-8A Fan	230V	1-NTC		
5069423	LF5069423	XW30LS-5N0C0-N	20A Comp-8A Conf-8A Conf	230V	2-NTC		

Electronic controllers

LF code	GEV code	Model	Relay outputs	Power supply	Probe	Digital input	X-REP
2106197	378706	XW30LS-5N6C3-W	20A Comp-8A Conf-8A Conf	230V	2-NTC		
3445197	402193	XW30L-00000	20A Comp-8A Fan-8A Light	230V	2-NTC		
5075984	LF5075984	XW30L-5N0C0	20A Comp-8A Def-8A Fan	230V	2-NTC	1	
5066444	378526	XW30LRH-5N1D0-D	16A Comp-5A Fan-8A Light	230V	2-NTC	2	
3445236	378387	XW40LS-5N0C1	20A Comp-8A Def-8A Light	230V	2-NTC	1	
3445384	LF3445384	XW40LS-5N0D3-X	20A Comp-8A Fan-8A Light	230V	1-NTC		
3445230	379655	XW40L-5N0C1	20A Comp-8A Def-8A Light	230V	2-NTC	2	
3445391	402159	XW40L-5L0D8-X	16A Comp-16A Def-16A Light	230V	2-NTC		
3445179	378223	XW60LS-5N0C1	20A Comp-8A Def-8A Fan	230V	2-NTC	1	
3445450	LF3445450	XW60LR-5N0C0	20A Comp-8A Def-5A Fan-5A Light	230V	3-NTC	2	
3445454	LF3445454	XW60LRH-5N0C0-D	16A Comp-16A Def-5A Fan-5A Light	230V	2-NTC	2	
5063222	378689	XW60L-5N0C0	20A Comp-8A Def-8A Fan-8A Light	230V	3-NTC	2	
3445181	378229	XW60L-5N0C1	20A Comp-8A Def-8A Fan-8A Light	230V	2-NTC	2	
3445521	378735	XW60LH-5N6C1-D	20A Comp-8A Def-8A Fan-8A Light	230V	2-NTC	1	x
3445392	379699	XW60L-5L0D0-X	20A Comp-8A Def-8A Fan-16A Light	230V	2-NTC	1	
3445435	378691	XW60L-5N0D1-X	20A Comp-8A Aux-8A Fan-8A Light	230V	1+1-NTC	2	
2104961	LF2104961	XW60L-5N0D1-X	20A Comp-8A Def-8A Fan-8A Light	230V	2-NTC	1	
7107867	LF7107867	XW70L-5N0C1	20A Comp-8A Def-8A Fan-8A Light-8A Aux	230V	3-NTC	2	x
3445539	378530	XW70LH-5N0W0-B	20A Comp-8A Def-8A Fan-8A Light-8A On/Off	230V	3-NTC	2	
5088030	LF5088030	XW70LT-5N7W0-R	20A Comp-12A Def-8A Fan-8A Light-8A Aux	230V	2+2-NTC	2	
3445257	378388	XW220L-5N0C1	20A Comp-16A Light	230V	2-NTC	1 ds+1 conf	x
3445322	378389	XW230L-5N0C0	20A Comp-16A Light-16A Aux-8A Alarm	230V	2-NTC	1 ds+1 conf	
3445231	381580	XW260L-5N0C5	20A Comp-8A Def-8A Fan-16A Light	230V	3-NTC	1 ds+1 conf	x
3445413	LF3445413	XW260L-5N0D0-X	20A Comp-16A Def-8A Fan-8A Aux	230V	3-NTC	1 ds+1 conf	
3445251	378386	XW264L-5N0C5	20A Comp-8A Def-8A Def2-8A Fan-16A On/Off-16A Light	230V	3-NTC	1 ds+1 conf	x
7105111	LF7105111	XW270L-5N0C0	20A Comp-8A Def-8A Fan-8A Alarm-16A Aux-16A Light	230V	3-NTC	1 ds+1 conf	
3445237	LF3445237	XW271L-5N0C1	20A Comp-8A Def-8A Fan-8A Alarm-16A Heater-16A Light	230V	3-NTC	1 ds+1 conf	x

ds = door switch

ELECTRONIC CONTROLLERS DIXELL XW-K



XW-K

LF code	GEV code	Model	Relay outputs	Power supply	Probe	Digital input	RTC
3445246	379660	XW220K-5N0C0	20A Comp-16A Light	230V	2-NTC	1 ds+1 conf	
3445247	378225	XW260K-5N0C0	20A Comp-16A Light-8A Def-8A Fan	230V	3-NTC	1 ds+1 conf	
3445347	378385	XW270K-5N0C0	20A Comp-16A Light-8A Def-8A Fan-8A Alarm-16A Aux	230V	3-NTC	1 ds+1 conf	
7100499	LF7100499	XW271K-5N0C0	20A Comp-16A Light-8A Def-8A Fan-8A Alarm-16A Heater	230V	3-NTC	1 ds+1 conf	
2101982	LF2101982	XW570K-5N0C4	20A Comp-16A Light-8A Def-8A Fan-8A Alarm-16A Aux	230V	3-NTC	1 ds+1 conf	x

ds = door switch

Electronic controllers

ELECTRONIC CONTROLLERS DIXELL XM-K

dixell[®]



XM-K

LF code	GEV code	Model	Relay outputs	Power supply	Probe	Digital input	RTC	X-REP
3445418	378745	XM470K-510C1	8A Comp-16A Light-8A Fan-20A Def-8A Aux	230V	3-NTC	1 es+1 conf	x	x
3445420	LF3445420	XM470K-510C1	20A Comp-16A Light-8 Fan-8 Def-8A Aux	230V	2-NTC	1 ds+ ts	x	x

ds = door switch es = energy saving ts = touch sensor

ELECTRONIC CONTROLLERS DIXELL XW-K

dixell[®]



LF code	GEV code	Model	Relay outputs	Power supply	Probe	Digital input
5072143	378555	XW60K-5N2C0	20A Comp-16A Light-16A Def-8A Fan	230V	4-NTC	1
2102991	LF2102991	XW60K-5L2C0	20A Comp-16A Light neon-Aux-16A Def-8A Fan	230V	4-NTC	1
5030856	LF5030856	XW764K-5L2C0	8A Comp-16A Light neon-8A Def1-8A Def2-8A Fan-16A On/off	230V	3-NTC	3

DISPLAY BOARDS DIXELL C-T-V

dixell[®]



X-REP



CX



T



V

LF code	GEV code	Model	Features
2102254	378645	X-REP-00000	display remote
5068548	378640	CX620-000N0	6 buttons keyboard
3445245	379658	T620-000C0	6 buttons keyboard
5052544	378278	T640-000C0	6 buttons keyboard
5054626	LF5054626	T670-000C1	6 buttons keyboard
3445348	378442	T820-000C0	8 buttons keyboard
7100498	381591	T821-000C0	8 buttons keyboard
3445417	LF3445417	T840-100D0-X	8 buttons keyboard
5074970	LF5074970	V620-100C0	6 buttons keyboard

Electronic controllers

ACCESSORIES DIXELL



LF code	GEV code	Model
3445232	402818	HOTKEY DIXELL

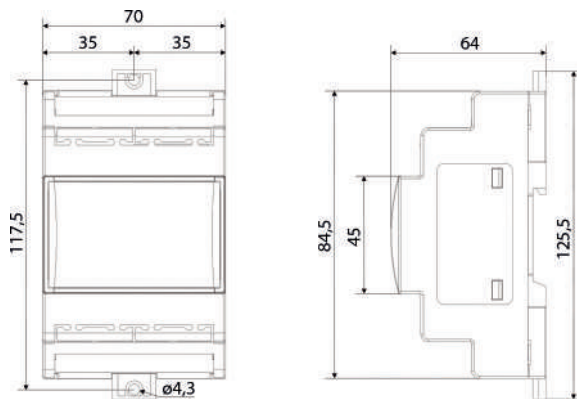
Key for a quick and easy Dixell's controllers programming. Dimensions 0,8x16x46mm

ELECTRONIC CONTROLLERS DIXELL XW-V/VS



LF code	GEV code	Model	Relay outputs	Power supply	Probe	Digital input
3445182	378377	XW20VS-5N0C0 SHORT	16A Comp-16A Light	2-NTC	1	230V
5051507	LF5051507	XW30V-5N0C1	20A Comp-8A Light-16A Fan/Heater	2-NTC		230V
3445299	LF3445299	XW35VS-5N0C0 SHORT	16A Comp-16A Light-8A Fan	2-NTC	1	230V
3445300	378422	XW60VS-5N0C0 SHORT	16A Comp-16A Def-8A Fan	3-NTC	1	230V
3445301	378423	XW60V-5N0C1	20A Comp-16A Light-8A Def-8A Fan	2-NTC	1	230V

ELECTRONIC CONTROLLERS DIXELL XR-D



XR-D

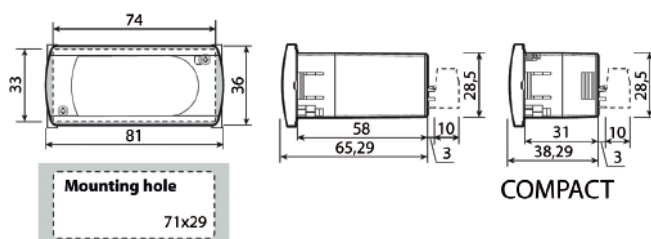
LF code	GEV code	Model	Relay outputs	Power supply	Probe	Digital input
3445368	LF3445368	XR20D-5N0C1	20A Comp	230V	1-NTC/PTC	1
3445369	LF3445369	XR30D-5N0C1	20A Comp-8A Aux/Alarm	230V	1-NTC/PTC	1
3445370	LF3445370	XR40D-5P0C1	20A Comp-8A Def	230V	2-NTC/PTC	1
3445371	381567	XR60D-5N0C1	20A Comp-8A Def-8A Fan	230V	2-NTC/PTC	1
3445372	LF3445372	XR160D-5N0C1	8A Comp-8A Def-8A Fan	230V	3-NTC/PTC	1 ds+1 conf

ds = door switch

Electronic controllers

ELECTRONIC CONTROLLERS CAREL PJ-PY

CAREL



PJ COMPACT

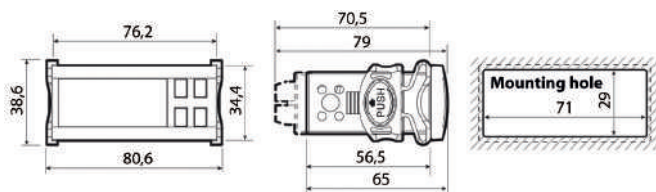
PJ

LF code	GEV code	Model	Relay outputs	Power supply	Probe	Digital input	RTC	Light switch
2102955	LF2102955	PJEZSNH0E0 COMPACT	30A Comp	230V	1-NTC			
5104943	378030	PJEZSNH000 COMPACT	30A Comp	230V	2-NTC			
3445215	370886	PJEZS00000	8A Comp	230V	2-NTC		1	
5057406	378721	PJEZS0P000	16A Comp	230V	2-NTC		1	
5058938	378329	PYAO1C0522	12A Comp	230V	1-NTC			
5055066	378673	PYCO1SN59F	12A Comp	230V	1-NTC		1	
5040535	378705	PJEZS0H000	30A Comp	230V	2-NTC		1	
3445216	LF3445216	PJEZS0A000	8A Comp-8A Aux	230V	2-NTC		1	
3445249	LF3445249	PJS1Y0P000	16A Comp-8A Agt	230V	2-NTC		1	
2101745	LF2101745	PJEZS0G000	30A Comp-8A Aux	230V	2-NTC		1	
2102337	LF2102337	PJEZY0H000	30A Comp-8A Def	230V	2-NTC		1	
3445217	378690	PJEZC00000	8A Comp-8A Def-8A Fan	230V	2-NTC		1	
5051488	379779	PYCO1LO51G	12A Comp-8A Def-8A Fan	230V	2-NTC		1	
3445523	378370	PYAO1R0523	10A Comp-8A Def-8A Fan	230V	2-NTC	x		
3445439	LF3445439	PYIA1Z055P	12A Comp-8A Fan-8A Light	230V	2-NTC		1	
3445416	378491	PYIA1Z052N	12A Comp-8A Def-8A Fan	230V	2-NTC			
5068601	378475	PJEZC0P000	16A Comp-8A Def-8A Fan	230V	2-NTC		1	
7100643	378283	PYIL1U0525	16A Comp-8A Def-8A Fan	230V	2-NTC		1	
7106435	LF7106435	PJEZC0H000	30A Comp-8A Def-8A Fan	230V	2-NTC		1	
3445332	LF3445332	PJEZC0M000	30A Comp-8A Def-8A Fan	230V	2-NTC	x	1	
3445425	LF3445425	PJS2C0H000	30A Comp-8A Def-8A Light	230V	2-NTC	x	1	x

Electronic controllers

ELECTRONIC CONTROLLERS CAREL IR33

CAREL

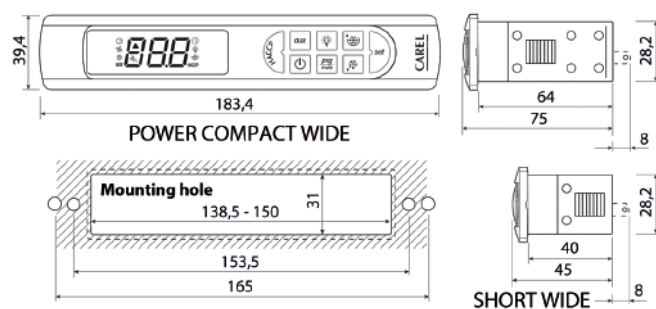


IR

LF code	GEV code	Model	Relay outputs	Power supply	Probe	RTC	IR	Digital input
3445225	LF3445225	IR33S00N00	16A Comp	12Vac	2-NTC			2
3445908	LF3445908	IR33S0LN00	16A Comp	12/24Vac	2-NTC			2
3445210	378143	IR33S0LR00	16A Comp	12/24Vac	2-NTC		x	2
3445204	378144	IR33S0ER00	8A Comp	230V	2-NTC		x	1
3445209	378643	IR33S0EP00	16A Comp	230V	2-NTC			1
3445226	378183	IR33Y00N00	16A Comp-8A Def	12Vac	2-NTC			2
4091609	379512	IRELFOEN215	8A Comp-8A Def-5A Fan	230V	2-NTC			1
4093532	LF4093532	IRELFOEN265	8A Comp-8A Def-5A Fan	230V	2-NTC			1
4092355	379509	IRELFOHN245	8A Comp-12A Def-8A Fan	115-230V	2-NTC			1
5072869	LF5072869	IRIAFOEHA1	12A Comp-8A Def-5A Fan	230V	2-NTC			1
3445228	LF3445228	IR33FOEN00	8A Comp-8A Def-5A Fan	230V	2-NTC			1
4091642	LF4091642	IRELCOHN215	12A Comp-8A Def-8A Fan-8A Aux	115-230V	2-NTC			2
3445227	LF3445227	IR33CO0N00	16A Comp-8A Def-8A Fan-8A Aux/Light	12Vac	2-NTC			2
3445211	378181	IR33COLB00	16A Comp-8A Def-8A Fan-8A Aux/Light	12/24Vac	2-NTC	x	x	2
3445909	378182	IR33COLN00	16A Comp-8A Def-8A Fan-8A Aux/Light	12/24Vac	2-NTC			2
3445203	378145	IR33COHB00	16A Comp-8A Def-8A Fan-8A Aux/Light	115/230V	2-NTC	x	x	2

ELECTRONIC CONTROLLERS CAREL PB WIDE

CAREL



PB WIDE SHORT

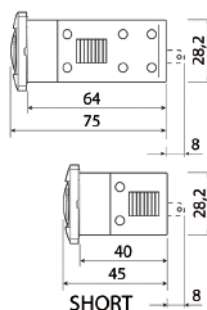
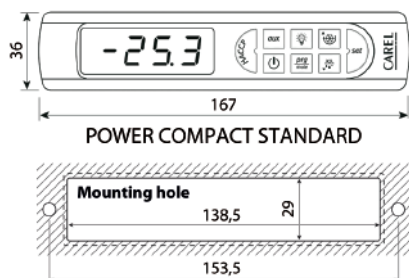
PB WIDE

LF code	GEV code	Model	Relay outputs	Power supply	Probe	Digital input	Connections
3445224	LF3445224	PB00S0SAFA SHORT	30A Comp-8A Aux/Light	115-230V	2-NTC	2	screw
3445219	LF3445219	PB00COSNFA SHORT	30A Comp-8A Def-5A Fan-5A Aux/Light	115-230V	2-NTC	2	screw
3445222	LF3445222	PB00COHND0	30A Comp-16A Def-8A Fan-8A Aux/Light	115-230V	2-NTC	2	faston

Electronic controllers

ELECTRONIC CONTROLLERS CAREL PB

CAREL



LF code	GEV code	Model	Relay outputs	Power supply	Probe	Digital input	RTC	IR	Connections
3445220	378479	PB00S0EA00	8A Comp-8A Aux/Light	230V	2-NTC	2			screw
3445223	LF3445223	PB00S0SA50 SHORT	30A Comp-8A Aux/Light	230V	2-NTC	2			screw
3445221	LF3445221	PB00Y0EV30	16A Comp-8A Def-8A Fan	230V	2-NTC	2			screw
3445218	LF3445218	PB00C0SN30 SHORT	30A Comp-8A Def-5A Fan-5A Aux/Light	230V	2-NTC	2			faston
3445258	378480	PB00F0HA00	16A Comp-8A Def-8A Fan-8A Aux/Light	115-230V	2-NTC	2			screw
3445488	LF3445488	PB00F0HA10	16A Comp-8A Def-8A Fan-8A Aux/Light	115-230V	2-NTC	2			faston
3445373	LF3445373	PB00C0HN00	30A Comp-16A Def-8A Fan-8A Aux/Light	115-230V	2-NTC	2			screw
3445349	LF3445349	PB00H0HN00	30A Comp-16A Def-8A Fan-8A Aux/ Light-8A Aux2	230V	2-NTC	2			screw
7103785	378652	PB00H0HB00	30A Comp-16A Def-8A Fan-8A Aux/ Light-8A Aux2	230V	2-NTC	2	x	x	screw

ELECTRONIC CONTROLLERS CAREL IR33+

CAREL



Photo	LF code	GEV code	Model	Relay outputs	Power supply	Probe	Digital input
1	3445636	LF3445636	IR33+	12A Comp-12A Def-8A Fan-8A Aux1-8A Aux2	115 / 230V	2-NTC/PTC	2
2	5086345	LF5086345	IR33+	12A Comp-8A Def-8A Fan-8A Aux	115 / 230V	2-NTC/PTC	2
3	3445635	LF3445635	IR33+	12A Comp-8A Def-8A Fan-8A Aux	12 / 24Vac	2-NTC/PTC	2

Electronic controllers

ELECTRONIC CONTROLLERS CAREL POWERSPLIT PSB

CAREL



PSB

LF code	GEV code	Model	Relay outputs	Power supply	Probe	Digital input	RTC
3445424	LF3445424	PSBIA01110	2Hp Comp-16A Def-10A Fan-10A Alarm-16A Light-10A Heater	230V	3-NTC	2	x

ls = light sensor

ELECTRONIC CONTROLLERS CAREL PJEZ EASY SPLIT

CAREL



LF code	GEV code	Model	Relay outputs	Power supply	Probe	Digital input	RTC	Suitable for
5087242	LF5087242	PJEZC8I040	4 - 30A-2Hp-16A-16A	230V 50/60Hz	2-NTC		1	
5090596	LF5090596	connection cable 3000 mm						

BOARDS DISPLAY CAREL POWERSPLIT PST

CAREL



PST-VR

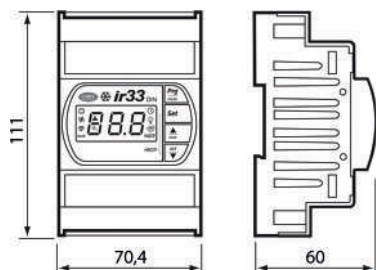
PST-LR

LF code	GEV code	Model	Features	IR
3390390	LF3390390	PST01VR100	1 input NTC probe	
2101052	LF2101052	PST00LR200	8 buttons keyboard	x
3390388	LF3390388	PSTIALR400	8 buttons keyboard	

Electronic controllers

ELECTRONIC CONTROLLERS CAREL DN

CAREL



DN

LF code	GEV code	Model	Relay outputs	Power supply	Probe	RTC	IR	Digital input
3445212	LF3445212	DN33S0EN00	16A Comp	230V	2-NTC			3
3445202	LF3445202	DN33F0ET00	16A Comp-16A Def-8A Fan-8A Aux/Light	230V	2-NTC	x	x	3
3445213	LF3445213	DN33C0LB00	16A Comp-16A Def-8A Fan-8A Aux/Light	12-24Vac	2-NTC	x	x	3

mounting on DIN slideway

ELECTRONIC CONTROLLERS CAREL MPXPRO

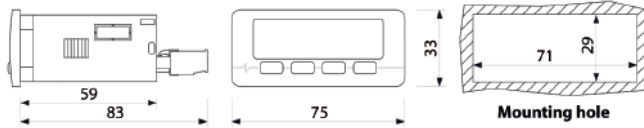
CAREL



LF code	GEV code	Model	Relay outputs	Power supply	Probe	RTC	Features
3445553	378784	MX30M21HO0	8A-2HP-16A-8A-8A	115/230 V	NTC PTC, Pt1000, NTC active probes 0...10 Vdc 4...20 mA	X	2 PWM output
3445554	378786	MX30M24HO0	8A-2HP-16A-8A-8A	115/230 V	NTC PTC, Pt1000, NTC active probes 0...10 Vdc 4...20 mA	X	2 PWM output - PWM driver e 0...10 Vdc output
5109938	378785	MX30M25HO0	8A-2HP-16A-8A-8A	115/230 V	NTC PTC, Pt1000, NTC active probes 0...10 Vdc 4...20 mA	X	2 PWM output - E2V driver e 0...10 Vdc output

Electronic controllers

ELECTRONIC CONTROLLERS EVCO EVK

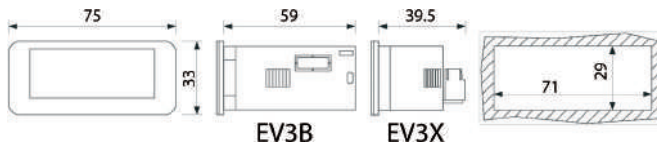


EVK

LF code	GEV code	Model	Relay outputs	Power supply	Probe	Digital input	RTC	Energy saving
3445114	378147	EVK211N3	16A Comp	12-24Vac/dc	1-NTC/PTC			
3445119	378774	EVK202N7	16A Comp-8A Def	230V	2-NTC/PTC			
3445124	378153	EVK213N3	16A Comp-8A Def-8A Fan	12-24Vac/dc	2-NTC/PTC	1		
3445128	378154	EVK203N7	16A Comp-8A Def-8A Fan	230V	2-NTC/PTC			
3445408	LF3445408	EVK214N3	16A Comp-8A Def-8A Fan-8A Light/Conf	12-24Vac/dc	2-NTC/PTC	1 ds+1 conf	x	x
3445409	LF3445409	EVK214N9	16A Comp-8A Def-8A Fan-8A Light/Conf	230V	2-NTC/PTC	1 ds+1 conf	x	x
2103961	LF2103961	EVK422P7	16A Comp-8A Agt	230V	1-NTC/PTC			

ds = door switch

ELECTRONIC CONTROLLERS EVCO EV3



EV3X

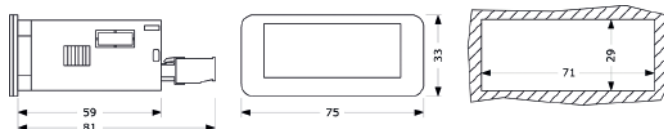
EV3B

LF code	GEV code	Model	Relay outputs	Power supply	Probe	Digital input	Energy saving
3445479	378443	EV3X21N7	16A Comp	230V	1-NTC/PTC	1	x
3445480	378444	EV3B31N7	30A Comp	230V	1-NTC/PTC	1	x
3445481	LF3445481	EV3B32N7	30A Comp-8A Def/Fan/Light/Alarm	230V	2-NTC/PTC	1	x
3445482	378445	EV3B33N7	30A Comp-8A Def-5A Fan	230V	2-NTC/PTC	1	x
3445513	LF3445513	EV3B43N7	16A Comp-8A Fan(conf.)-5A Light	230V	2-NTC	1 ds	x

ds = door switch

Electronic controllers

ELECTRONICAL CONTROLLERS EVCO EV3 200

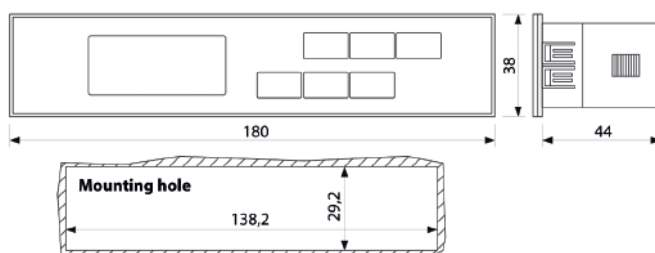


EV3

LF code	GEV code	Model	Relay outputs	Power supply	Probe	Digital	Energy saving	Over-cooling
3445514	LF3445514	EV3121N7	16A Comp	230V	1-PTC/NTC	1	x	x
3445515	LF3445515	EV3122N7	16A Comp-8A Def	230V	2-PTC/NTC	1	x	x
3445516	LF3445516	EV3123N7	16A Comp-8A Def-5A Fan	230V	2-PTC/NTC	1	x	x
3445517	378631	EV3294N9	16A Comp-8A Def-5A Fan-5A Aux	230V	2-PTC/NTC	2	x	x

ds = door switch

ELECTRONIC CONTROLLERS EVCO EVR



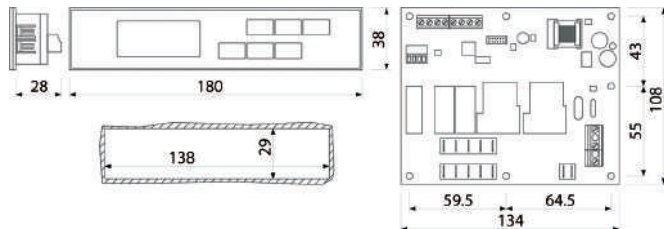
EVR

LF code	GEV code	Model	Relay outputs	Power supply	Probe	Digital input	Energy saving	Overcooling
3445404	LF3445404	EVR202N7	16A Comp-8A Def/Fan/Aux/ Light/Alarm/Heater	230V	2-NTC/PTC	1	x	x
3445483	LF3445483	EVR203N7	16A Comp-8A Def/Light-5A Fan	230V	2-NTC/PTC	1	x	x
3445405	378357	EVR204N7	16A Comp-8A Def-5A Fan-8A Light/Aux/Alarm/Heater	230V	2-NTC/PTC	1 ds+1 conf	x	x

ds = door switch

Electronic controllers

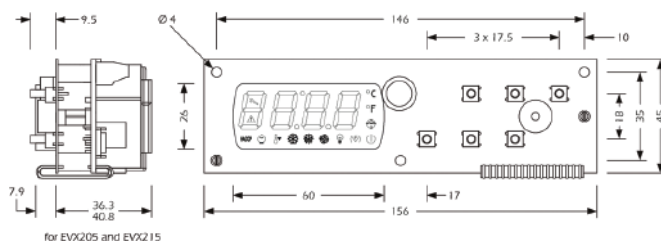
ELECTRONIC CONTROLLERS EVCO EVR SPLIT VERSION



LF code	GEV code	Model	Relay outputs	Power supply	Probe	Digital input	Energy saving	Overcooling
3445484	LF3445484	EVR204N9	30A Comp-16A Def-8A Fan-16A Light	230V	2+1-NTC/PTC	2	x	x

ds = door switch

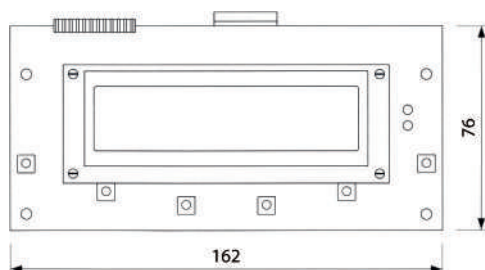
ELECTRONIC CONTROLLERS EVCO EVX



LF code	GEV code	Model	Relay outputs	Power supply	Probe	Digital input
3445508	381444	EVX003N7XXBXX02	16A Comp-8A Def-8A Fan	230V 50/60Hz	3-NTC	1 ds

ds = door switch

ELECTRONIC CONTROLLERS EVCO CT

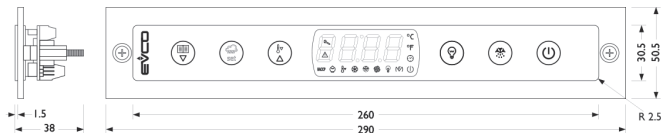


LF code	GEV code	Model	Relay outputs	Power supply	Probe	Digital input	RTC
3390260	LF3390260	CT1SA0020300	30A Comp-8A Def-5A Evap.fan-5A Cond.fan-5A Light-8A Alar	12Vac	3-NTC	1 ds-1 ps	x
5028759	LF5028759	CT1SA0020402	30A Comp-8A Def-5A Evap.fan-5A Cond.fan-5A Light-8A Alar	12Vac	3-NTC 1-4..20mA	1 ds-1 ps	x

ds = door switch ps = pressure switch

Electronic controllers

ELECTRONICAL CONTROLLERS EVCO EVF

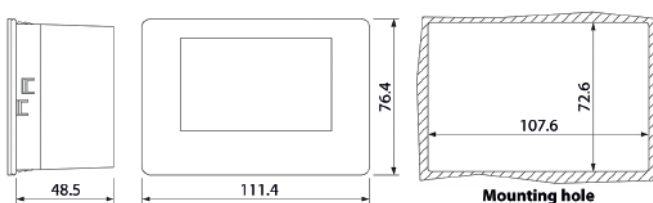


EVF

LF code	GEV code	Model	Relay outputs	Power supply	Probe	Digital	Energy	Over-cooling	RTC
3445511	LF3445511	EVF205	30A Comp-16A Def-8A Fan-16A Aux 1-8A Aux 2	115..230V	3-NTC	2	x	x	

Digital controllers for refrigerated display cabinets consisting of a user interface with capacitive touch buttons and a control module.

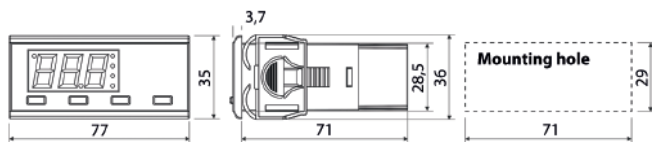
ELECTRONIC CONTROLLERS EVCO EVJ 200



LF code	GEV code	Model	Relay outputs	Power supply	Probe	Digital input
5122827	378778	EVJ203N2VX3WXX2	16A Comp-8A Def-16A Light	12Vac/dc	2-NTC	2

Electronic controllers

ELECTRONIC CONTROLLERS LAE AC1-5 AT1-5 AT2-5 AR2-5 AD2-5

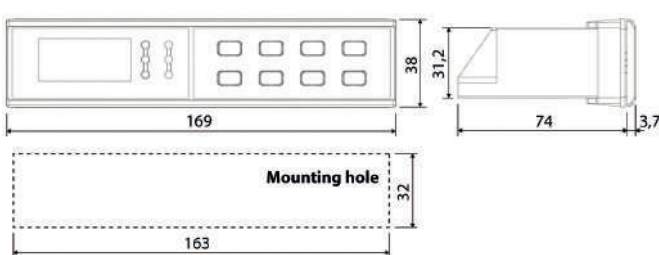


AT/AD

LF code	GEV code	Model	Relay outputs	Power supply	Probe	Digital input	RTC	DSY
7106476	LF7106476	AC1-5TS2RW-A	12A Out1-7A Out2	115-230V	1-NTC/PTC			
3445473	379768	AC1-5TS2RW-B	12A Out1-7A Out2	115-230V	1-NTC/PTC			
2102285	LF2102285	LTR-5CSRE-A	16A Out1	230V	1-NTC			
3445234	378419	AT1-5AS1E-G	16A Comp	230V	1-NTC/PTC			
3445485	LF3445485	AT1-5AS5E-AG	16A Comp	230V	1-NTC/PTC			
3445374	378420	AT1-5AS2E-G	16A Comp-7A Aux	230V	1-NTC/PTC			
2102845	LF2102845	AT1-5BQ4E-BG	12A Comp-7A Aux	230V	2-NTC/PTC	1-ds		
3445261	LF3445261	AT1-5BS2E-BG	16A Comp-7A Aux	230V	2-NTC/PTC	1-ds		
3445286	378681	AT1-5BS6E-AG	16A Comp-7A Aux	230V	2-NTC/PTC	1-ds		
3445235	379764	AT2-5BS4E-AG	16A Comp-7A Def-7A Fan	230V	2-NTC/PTC	1-ds		
2102320	LF2102320	AD2-5C24W-AG	12A Comp-7A Def-8A Fan-7A Aux	115-230V	3-NTC/PTC	1-ds		x
3445397	379760	AR2-5C24W-BG	12A Comp-7A Def-8A Fan-7A Aux	115-230V	3-NTC/PTC	1-ds	x	x

ds = door switch

ELECTRONIC CONTROLLERS AKO LAE LCD-AD



LCD



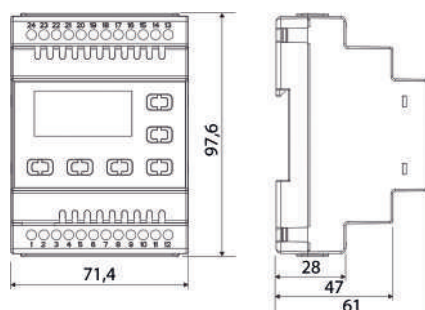
AD

LF code	GEV code	Model	Relay outputs	Power supply	Probe	Digital input	Connection
3445474	379772	AD-32S35W-B	16A Comp-16A Def-7A Fan-7A Aux1-7A Aux2	115-230V	3-NTC	1 ds+1 sync	screw

ds = door switch

Electronic controllers

ELECTRONIC CONTROLLERS LAE AC1-27 BR1-27

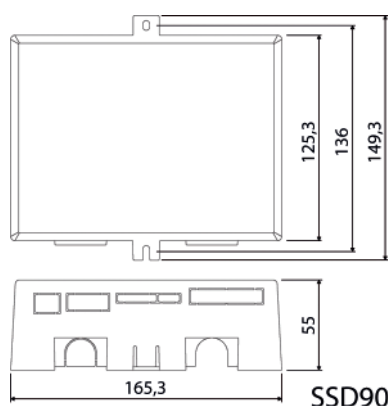


AC1-27 BR1-27

LF code	GEV code	Model	Relay outputs	Power supply	Probe	Digital input	DSY	RTC
3445472	379766	AC1-27TS2RE-B	16A Out1-16A Out2	230V	1-NTC/PTC			
3445493	LF3445493	BR1-27C1S5W-B	16A Comp-8A Def-16A Fan-7A Aux-7A Aux2	115-230V	3-NTC	2	x	x

mounting on DIN slideway

ELECTRONIC CONTROLLERS LAE SSD90



SSD90



SSD90



Probe



Cable



SMD12RU20

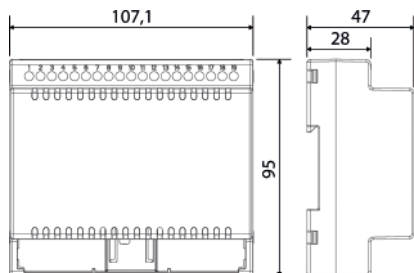


SMD34RU

LF code	GEV code	Model	Relay outputs	Power supply	Probe	Digital input
3445289	LF3445289	SSD90C65E-C	20A Comp-12A Def-8A Fan1-8A Fan2-8A Light-8A Alarm-8A Aux	230V	3-PTC	1-door switch
3445295	378414	PTC probe 2000 mm w/connector				
2102101	403465	10-ways flat cable - 2 m				
3445276	LF3445276	Remote display SMD12RU20				
3445277	379483	Remote display SMD34RU				

Electronic controllers

ELECTRONIC CONTROLLERS LAE BR1-28



BR1-28C1S5W-B



BR1

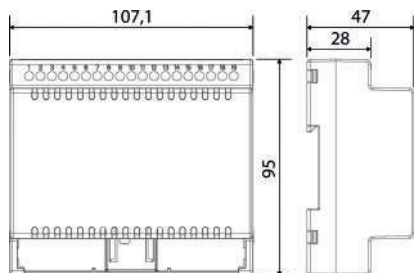


DU5S



LF code	GEV code	Model	Relay outputs	Power supply	Digital input	Probe	RTC
3445475	379803	BR1-28C1S5W-B	16A Comp-16A Def-16A Fan-7A Aux1-7A Aux2	230V	3	3-NTC	X
3445476	381380	Remote display DU5S					
3445477	403598	4 wires w/connector - cable 2 m					

ELECTRONICAL CONTROLLERS LAE BIT25 LF28 AD2-28



LF



LF



BIT



Display



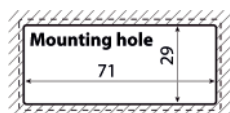
Cable

LF code	GEV code	Model	Relay outputs	Power supply	Probe	Digital input
3445394	403458	BIT25B13E-A	12A Comp-16A Aux1-4A Aux2	230V	2-NTC	2
3445287	403413	LF28B2S3E-1FS	20A Comp-12A Def-7A Fan	230V	2-NTC	1 ds+1 conf
3445312	LF3445312	LF28B2S3E-2FS	20A Comp-12A Def-0,7A Electronic fan	230V	2-NTC	1 ds+1 conf
5065355	378722	AD2-28C1S5E-B	16A Comp-16A Def-8A Fan-7A Aux1-7A Aux2	230V	3-NTC	1 ds+1 conf
3445395	403459	6-ways flat cable - 1.5 m				
3445288	LF3445288	Remote display LCD-5S				

ds = door switch

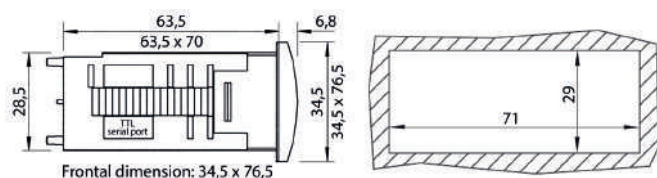
Electronic controllers

ELECTRONIC CONTROLLERS AKO D14



LF code	GEV code	Model	Relay outputs	Power supply	Probe	Digital input
3445161	379591	D14112	12A Comp	12/24Vac/dc	1-NTC+1 conf	2
3445162	379460	D14123	12A Comp	230V	1-NTC	-
3445535	379507	D14123-2	16A Comp	230V	1-NTC+1 conf	2
3445163	379797	D14212	12A Comp-8A Conf(Fan-Def-Alarm-Light)	12Vac	1-NTC+1 conf	2
3445533	379314	D14223	12A Comp-8A Conf(Fan-Def-Alarm-Light)	230V	1-NTC+1 conf	2
3445164	379456	D14323	12A Comp-8A Conf(Def-Alarm-Light)-5A Fan	230V	2-NTC+1 conf	2
3445544	378426	D14423	6A Comp-6A Def-6A Fan-6A Aux	230V	2-NTC+1 conf	2

ELECTRONIC CONTROLLERS BETA RC

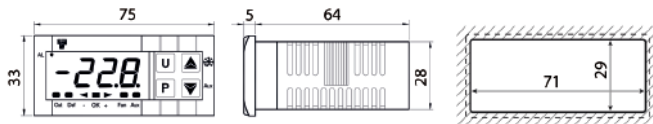


RC

LF code	GEV code	Model	Relay outputs	Power supply	Probe	Digital input
3445551	LF3445551	RC31-6004-II	2Hp Comp	12-24Vac/dc	1-NTC/PTC/PT1000	1
3445550	LF3445550	RC31-6001-II	2Hp Comp	230V	1-NTC/PTC/PT1000	1
3744058	LF3744058	RC33-2604-II	2Hp Comp-8A Def-5A Fan	12-24Vac/dc	2-NTC/PTC	1
3744059	LF3744059	RC33-2601-II	2Hp Comp-8A Def-5A Fan	230V	2-NTC/PTC	1

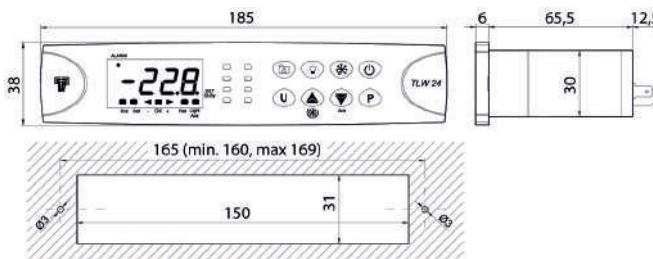
Electronic controllers

ELECTRONIC CONTROLLERS ASCON TECNOLOGIC Z-Y



LF code	GEV code	Model	Relay outputs	Power supply	Probe	Digital input	RTC
3445524	378666	E31-DR-VVIABI	16A Comp	230V	1-NTC	1	
3445185	LF3445185	Z31A-GR	16A Comp	12..24Vac/dc	1-NTC/PTC		
3445186	381579	Z31A-HR	16A Comp	100..240V	1-NTC/PTC		
3445187	LF3445187	Z31-GR	16A Comp	12..24Vac/dc	1-NTC/PTC		
3445188	LF3445188	Z31-HR	16A Comp	100..240V	1-NTC/PTC		
3445239	378439	TLY25H	16A Out1-8A Out2-8A Out3-8A Out4	230V	2-NTC/PTC	1	
3445538	381435	Z31Y-HS	16A Comp SPDT	100..240V	1-NTC/PTC	1	
3445189	LF3445189	Z31Y-HRR	16A Comp-5A Def	100..240V	1-NTC/PTC	1	
3445190	379363	Y39-HRR	16A Comp-5A Def	100..240V	2-NTC/PTC	1	
3445191	379210	Y39-GRRR	16A Comp-5A Def-5A Fan	12..24Vac/dc	2-NTC/PTC	1	
3445192	381502	Y39-HRRR	16A Comp-5A Def-5A Fan	100..240V	2-NTC/PTC	1	
3445510	LF3445510	Y39C-HRRR	16A Comp-5A Def-5A Fan	100..240V	2-NTC/PTC/PT1000	1	x

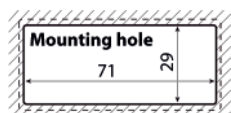
ELECTRONIC CONTROLLERS ASCON TECNOLOGIC TLW



LF code	GEV code	Model	Relay outputs	Power supply	Probe	Digital input
3445193	LF3445193	TLW24RRR	30A Comp-16A Def-8A Fan-8A Light	230V	2-NTC/PTC	1

Electronic controllers

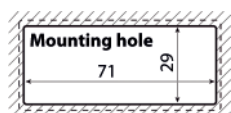
ELECTRONIC CONTROLLERS KIOUR



LF code	GEV code	Model	Relay outputs	Power supply	Probe	DI
3445434	379494	REF-DF-SM	25A Comp-5A Fan-5A Water level	230	1-PTC	1-ls
3445433	379493	REF-FR-SM	30A Comp-12A Def-5A Fan-5A Water level-5A On/Off	12Vac/dc	2-PTC	1-ds 1-ls

ds = door switch ls = level sensor

ELECTRONIC CONTROLLERS KIOUR



REF-FR-SB

REF-FR-SP



LF code	GEV code	Model	Description	Relay outputs	Power supply	Probe	DI	Dimensions
3445430	379495	REF-FR-SB	Power unit	30A Comp-5A Fan-5A Water level-5A Def-5A On/Off	230	2-PTC	1-ds 1-ls	140x80
3445431	379492	REF-FR-SP	Remote display					
3445432	400339		Flat cable					

ds = door switch ls = level sensor

Electronic controllers

ELECTRONIC CONTROLLERS KELD



LF code	GEV code	KELD code	model	Relay outputs	Display	Power supply	PROBES	Size
5977431	703619	EKT511I	EKT511IRDR230	Comp 16A	Red	90 / 255V	1 NTC/PTC	78 x 37 x 62 mm
5977432	703620	EKT8	EKT853HBRDTLR902	Comp 20A-Out2 8A-Out3 8A-Out4 16A-Out5 16A	Red	90 / 255V	3 NTC/PTC	184 x 39 x 64 mm
5977447	704261	EKT8	EKT833HBRDTLR90255	Comp 20A-Out2 8A-Out3 8A	Red	90 / 255V	3 NTC/PTC	184 x 39 x 64 mm
5977433	703621	EKTDIN	EKTDIN53IRDR230	Comp 16A-Out2 8A-Out3 8A-Out4 8A-Out5 16A	Red	230V	3 NTC/PTC	71 x 90 x 58 mm
5977424	703612	KLH11	KLH11G230	1HP 16A	Green	230V	1 %HR (0-1V/0-3V/4-20mA)	76 x 34 x 60 mm
5977435	703623	KLT11BB	KLT11BBJR230C	Comp 15A	Red	230V	1 Thermocouple type J/K/S	76 x 34 x 60 mm
5977427	703615	KLT11-D	KLT11-DR230C	Comp 16A	Red	230V	1 NTC/PTC	77 x 36 x 62 mm
5977426	703614	KLT11-DS	KLT11-DSR230C	Comp 16A	Red	230V	1 NTC	77 x 36 x 33 mm
5977428	703616	KLT13	KLT13IDR230C	Comp 16A	Red	230V	3 NTC/PTC	77 x 36 x 62 mm
5977440	703628	KLT21-M	KLT21MDR230	Out 5A-Timer 5A	Red	230V	1 NTC/PTC	77 x 36 x 62 mm
5977434	703622	KLT22Z	KLT22Z-PR230C	Out 1 16A-Out2 8A	Red	230V	2 NTC/PTC	77 x 36 x 62mm
5977429	703617	KLT23	KLT23IDR230C	Comp 16A-Out2 8A	Red	230V	3 NTC/PTC	77 x 36 x 62 mm
5977430	703618	KLT33	KLT33IDR230C	Comp 16A-Out2 5A-Out3 8A	Red	230V	3 NTC/PTC	77 x 36 x 62 mm
5977439	703627	KLT33ST	KLT33STPR230C	Out1 5A-Out2 16A-Out3 8A	Red	230V	3 PTC	76 x 34 x 60 mm
5977425	703613	KLTH43	KLTH43C	Out1 8A-Out2 8A-Out3 8A-Out4 8A	Red-Green	230V	1 %HR (0-1V/0-3V/4-20mA) + 2 PTC	134 x 105 x 61 mm
5977441	703629	KLTIMER	KLT11TIMR230 Timer	Out 16A	Red	230V		77 x 36 x 62 mm
5977436	703624	ST11	ST11-DR230	Comp 16A	Red	230V	1 NTC/PTC	79 x 36,5 x 62 mm
5977437	703625	ST23I	ST23I-DR230	Comp 16A-Out2 5A	Red	230V	3 NTC/PTC	79 x 36,5 x 62 mm
5977438	703626	ST33I	ST33I-DR230	Comp 16A-Out2 5A-Out3 8A	Red	230V	3 NTC/PTC	79 x 36,5 x 62 mm

THERMOMETERS KELD



LF code	GEV code	Model	Colour	Range	Probe type	Size	Power supply
5977421	703609	KLT01-NR230C	Red	-50 / +110°C	NTC	77 x 36 x 62 mm	230V
5977422	703610	EKTBIG01R230C	Red	-40 / +99°C	NTC	96 x 50 x 20 mm	230V
5977423	703611	EKTBIG01B230C	Blue	-40 / +99°C	NTC	96 x 50 x 20 mm	230V

Electronic controllers

PROBES KELD

KELD



LF code	GEV code	Model	Probe type	Bulb	Cable length	Range
5977442	703630	PSNTC20	NTC	6x25	1500 mm	-50 / +105°C
5977443	703631	SDTYCANTC20	NTC	6x50	1500 mm	-50 / +105°C
5977444	703632	CAPTC20	PTC	6x35	1500 mm	-50 / +150°C
5977445	703633	KLSH03	HUMIDITY	25X64	1500 mm	10 / 90% RH

ACCESSORIES KELD

KELD



LF code	GEV code	Model	Description
5977446	703634	KL Key	KELD Programming key

Electronic controllers

BOXES FOR CONTROLLERS



Photo	LF code	GEV code	Description	Instrument hole mm	Dimension mm
1	3445303	378227	wall plastic box for vertical keyboards	100x64xh43	56x69
2	3445302	LF3445302	wall plastic box for VS-Dixell format controllers	135x74xh72	56x72
3	3445068	LF3445068	wall stainless steel box for standard format controllers and switch	105x105xh72	71x29 - 30x22
4	3445304	378557	wall plastic box for standard format controllers	108x108xh90	71x29

EWBOX



Photo	LF code	GEV code	Dimensions mm
1	3445056	LF3445056	165x105xh90

FRONT PANELS FOR EWBOX



Photo	LF code	GEV code	No. of holes per instrument	No. of switch holes
1	3445060	698759	1 - 74x32 mm horizontal	1
2	3445062	LF3445062	2 - 74x32 mm horizontal	2
3	3445059	512529	1 - 74x32 mm vertical	2
4	3445058	LF3445058	2 - 74x32 mm vertical	2

HUMIDITY PROBES



LF code	GEV code	Model	Dimensions mm	Power supply	Output power	Measurement range	Temperature sensor
2102803	378076	EVHP 503	185x20	8..28Vdc	4..20mA	5..95% RH	
3397235	378726	EWHS 2840/W	80x120	9..28Vdc	4..20mA	0..99% RH	
3397236	378727	EWHS 3040	80x120	9..28Vdc	4..20mA	0..99% RH	NTC
3445169	403390	XH20P	60x120	9..18Vdc	4..20mA	0..99% RH	
3445309	LF3445309	DPPC110000	170x98x44	8..32Vdc 12..24Vac	-0.5..1Vdc 4..20mA	0..90% RH	NTC 10K

PRESSURE TRANSDUCERS



LF code	GEV code	Model	Operating range	Output alarm	Power supply	Connection
3445052	LF3445052	FWPA 007	-0.5..7 bar	4..20mA	8..32Vdc	1/4"saе M
3445053	LF3445053	FWPA 030	0..30 bar	4..20mA	8..32Vdc	1/4"saе M

TEMPERATURE PROBES



Photo	LF code	GEV code	Sensor	Bulb $\phi \times L$ mm	Cable length mm	Range
1	3445070	378699	PTC	6x40 AISI 304	1500 PVC	-30/+80°C
1	3445107	378694	PTC	6x40 AISI 304	3000 PVC	-30/+80°C
1	3397164	LF3397164	PTC	6x40 AISI 304	1500 SIL	-50/+120°C
1	3445183	LF3445183	PTC	6x40 AISI 304	3000 SIL	-50/+120°C
1	3445959	LF3445959	PTC	6x40 AISI 304	5000 SIL	-50/+120°C
1	3445157	378699	NTC	6x40 AISI 304	1500 PVC	-30/+80°C
6	3445981	378194	NTC	7x26 NYLON	1500 PVC	-30/+80°C
5	3445046	402200	NTC	6x20 AISI 304	2000 TPE	-50/+110°C
1	3445156	379343	NTC	6x40 AISI 304	3000 PVC	-30/+80°C
1	3445028	379633	NTC	6x20 AISI 304	4000 PVC	-30/+80°C
1	3445913	379458	NTC	6x40 AISI 304	1500 SIL	-50/+110°C
1	3445155	381569	NTC	6x40 AISI 304	3000 SIL	-50/+110°C
2	3445184	381474	NTC	6x40 AISI 304	1500 TPE IP68	-40/+110°C
2	3445154	381564	NTC	6x40 AISI 304	3000 TPE IP68	-40/+110°C
3	3445167	381584	NTC	5x20 TPE	1500 TPE IP68	-50/+110°C
3	3445335	381590	NTC	5x20 TPE	3000 TPE IP68	-50/+110°C
4	3445379	378702	PT1000	6x20 AISI 304	1500 IP68	-50/+110°C
4	3445380	LF3445380	PT1000	6x20 AISI 304	3000 IP68	-50/+110°C

Probes

TEMPERATURE PROBES LAE ELECTRONIC



2

LF code	GEV code	Sensor	Bulb ø x L mm	Cable length mm	Range
5034123	379784	NTC 2K	6x29	2000 TPE	-40°+120°C
2102338	378454	NTC 2K	6x29	2500 TPE	-40°+120°C
2101461	379805	NTC 10K	6x29	2000 TPE	-40°+120°C

TEMPERATURE PROBES WITH FASTON TERMINALS



1

Photo	LF code	GEV code	Sensor	Bulb ø x L mm	Cable length mm	Range
1	3445064	378720	NTC	6x40 AISI 304	1500 PVC with faston terminals 2.8	-30°+80°C

Potentiometers

SPEED REGULATORS FOR FANS DIXELL

dixell[®]



LF code	GEV code	Model	Power supply	Action	Inlet	Triac outlet	Calibration range	Differential
3240688	LF3240688	XV105D-50DN0	230V 50Hz	Direct	NTC probe	250V max 500W	0..60°C	1..30°C

SPEED REGULATORS FOR FANS ELIWELL

eliwell
by Schneider Electric



LF code	GEV code	Model	Power supply	Inlet	Triac outlet	Calibration range	Description
3445075	402946	FASEC 33	230V 50/60Hz	1-PTC probe	n.1-2.5A	0..60°C	for condenser fan
3445074	402945	FASEC 33	230V 50/60Hz	1-PTC probe	n.1-7A	0..60°C	for condenser fan
3351154	380137	OCTAL ES8					base
3445063	LF3445063	PTC PROBE					for tube mounting

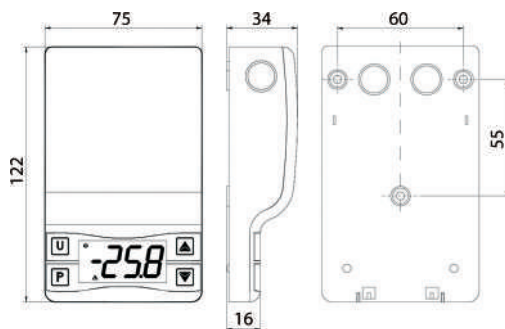
Electrical boards

ELECTRICAL BOARDS AKO



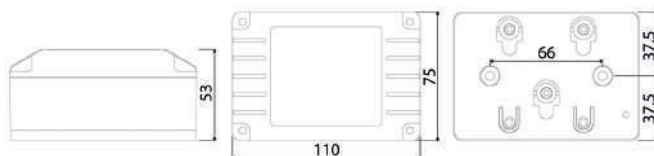
LF code	GEV code	Model	Relay outputs	Power supply	Probe	DI	Dimensions LxHxW mm
3445166	378042	14610	1-16A	230V	1-NTC		171x94x42
3445165	378041	14632	3-16/8/6A	230V	2-NTC		171x94x42 1

ELECTRICAL BOARDS ASCON TECNOLOGIC



LF code	GEV code	Model	Relay outputs	Power supply	Probe	Digital input
3445306	378233	W09HRB	8A Comp	100..240V 50/60Hz	1-NTC	
3445307	378234	W09YHRRRB	14A Out1-8A Out2-4A Out3	100..240V 50/60Hz	2-NTC	1

ELECTRICAL BOARDS LAE AC1-2W LDU2



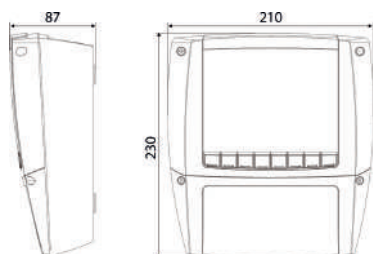
AC1-2W LDU2

LF code	GEV code	Model	Relay outputs	Power supply	Probe
3445292	379443	AC1-2WTQ2RE-B	8A Out1-8A Out2	230V	1-NTC/PTC
3545008	379769	LDU2W2E-EG	16A Comp-7A Aux	230V	1-NTC/PTC

Electrical boards

ELECTRICAL BOARDS DIXELL COOL-MATE

dixell®

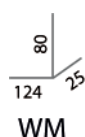


XLR

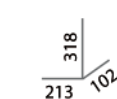
LF code	GEV code	Model	Relay outputs	Power supply	Probe	DI
3445168	378525	XLR170	6-20A/16A/8A/16A/20A/8A	230V	3-NTC/PTC	2

ELECTRICAL BOARDS ELIWELL WM-COLDFACE

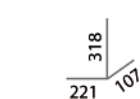
eliwell
by Schneider Electric



WM



COLDFACE



COLDFACE W/B



WM



COLDFACE



COLDFACE W/B

LF code	GEV code	Model	Relay outputs	Power supply	Probe	DI	RTC	Thermal-magnetic switch	HACCP
3445158	378217	WM961/A	1-16A	230V	1-NTC/PTC	1			
3545002	378713	COLDFACE NT EWRC300	3-2Hp/16A/8A	230V	3-NTC/PTC	2			
3545003	378316	COLDFACE NT EWRC500	5-2Hp/16A/8A/8A/16A	230V	3-NTC/PTC	2			
3545004	378406	COLDFACE NT EWRC500	5-2Hp/16A/8A/8A/16A	230V	3-NTC/PTC	2	x		x
3545007	378447	COLDFACE NT EWRC500 W/B	5-2Hp/16A/8A/8A/16A	230V	3-NTC/PTC	2	x	x	x

ELECTRICAL BOARDS ELIWELL COLDFACE - COMPLETE CELL CONTROL

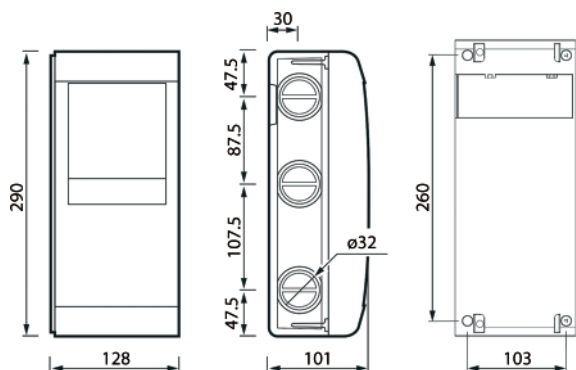
eliwell
by Schneider Electric

LF code	GEV code	Model	Relay outputs	Power supply	Probe	DI	RTC	Thermal-magnetic switch	HACCP
3445639	LF3445639	EWCR 5010	6-10A	230V	3-NTC/PTC	1	X	X	X
3445640	LF3445640	EWCR 5030	17-20A	380V	3-NTC/PTC	1	X	X	X

Electrical boards

ELECTRICAL BOARDS CAREL SMARTCELLA

CAREL

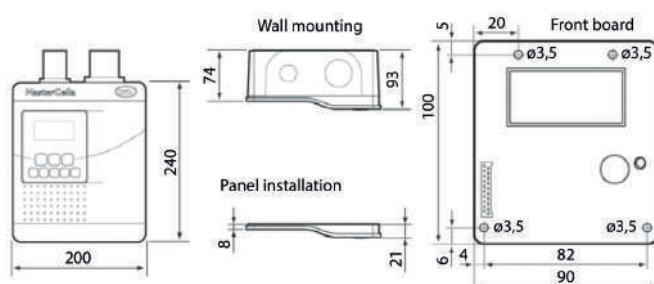


WE00

LF code	GEV code	Model	Relay outputs	Power supply	Probe	DI
3545005	LF3545005	WE00S1EN00	1-16A	230V	2-NTC	3
3545006	378549	WE00C2HN00	4-2Hp/16A/8A/8A	230V	2-NTC	3

ELECTRICAL BOARDS CAREL MASTERCELLA MD

CAREL



MD33D5EN00



MD33D5FB00

LF code	GEV code	Model	Relay outputs	Power supply	Probe	RTC	IR	DI	General power switch
3445229	378176	MD33D5EN00	5-30A/16A/8A/8A/2Hp	230V	2-NTC			3	
3445214	378146	MD33D5FB00	5-30A/16A/8A/8A/2Hp	230V	2-NTC	x	x	3	x

ELECTRICAL PANEL EVCO WiFi

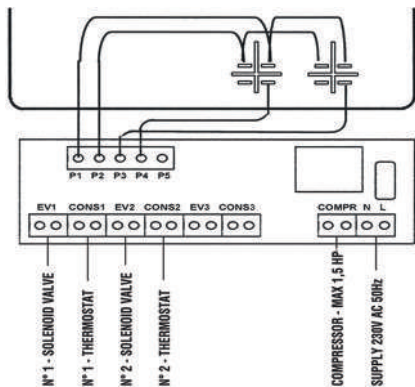
EVCO

Every Control Group



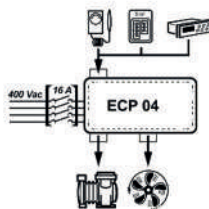
LF code	GEV code	Power supply	Outputs	Inputs	Features
3445584	LF3445584	230V 50/60Hz	Comp 30A-Def 16A-Fan 30A-Aux 16A-8A-8A	3 Temp probes (PTC/NTC/ Pt1000) - 3 DI	RS-485 MODBUS / Wi-Fi EPoCA

ELECTRICAL CONTROLLER PEGO 2TMS



LF code	GEV code	Dimensions mm	Power supply	Load type	Description
3445331	LF3445331	203x193x79	230V 50/60Hz	Single-phase	2-temperatures control panel with 1 unit one-phase

ELECTRICAL CONTROLLER PEGO ECP 04

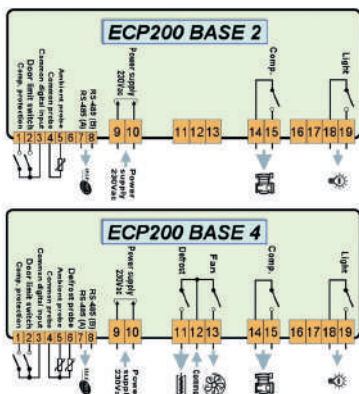


LF code	GEV code	Power supply	Load type	Main switch for door lock	Outputs	Inputs	Compressor protection	Pump-down
3445342	551479	400V 50/60Hz	Three-phase (3Ph+N+Gnd)	16A	3HP-Comp-condenser fan/solenoid valve	Thermostat or pressure switch	Thermal relay	x

ds = door switch - ps = pressure switch

Electrical boards

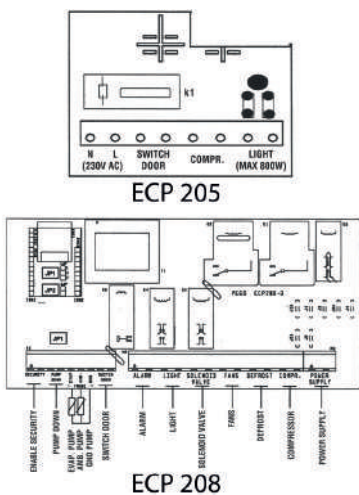
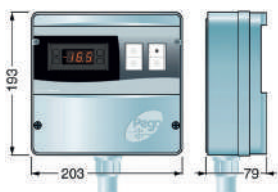
ELECTRICAL BOARDS PEGO ECP 200



LF code	GEV code	Model	Power supply	Load type	Defrosting	Outputs	Inputs
3445340	LF3445340	ECP 200 BASE 4	230V 50/60Hz	Single-phase	Electrical	2Hp Comp-30A Def 5A Fan-8A Light	2-NTC probe 1-ds 1-op

ds = door switch - op = overload protection

ELECTRICAL BOARDS PEGO ECP 200

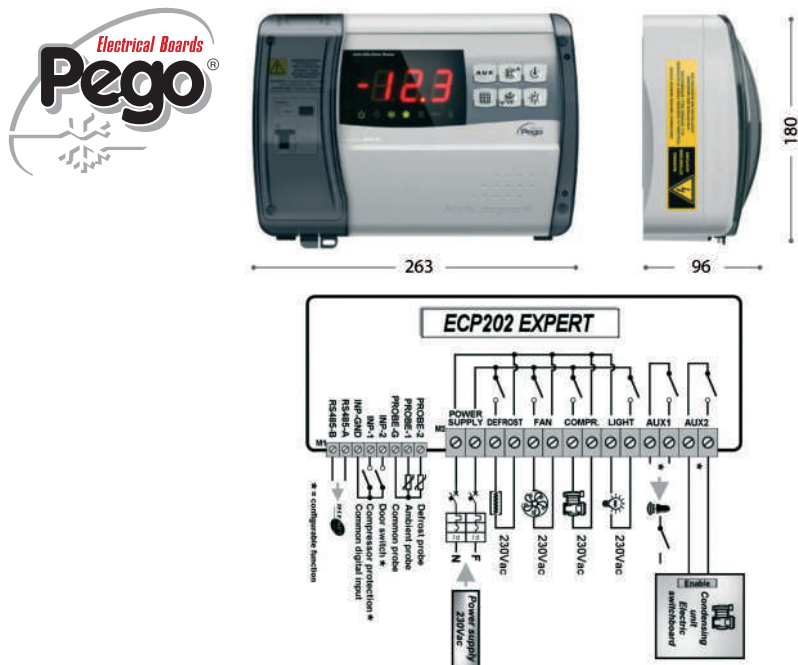


LF code	GEV code	Model	Power supply	Load type	Defrosting	Outputs	Inputs
3445350	LF3445350	ECP 208 (Eliwell IS974LX + n.2 switch on/off and light)	230V 50/60Hz	Single-phase	Electrical	2Hp Comp-30A Def 16A Fan-8A Light-8A Alarm	2-NTC probe 1-ds

ds = door switch

Electrical boards

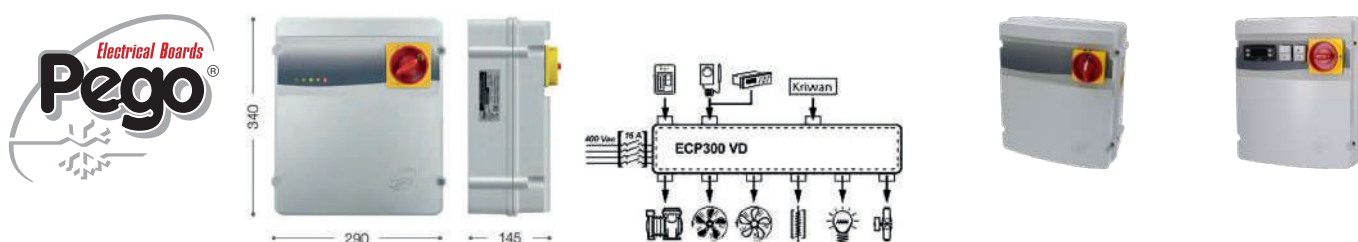
ELECTRICAL CONTROLLER PEGO ECP 202 EXPERT



LF code	GEV code	Power supply	Load type	Main switch/general protection	Outputs	Inputs	Solenoid valve	Pump-down
3445341	378692	230V 50/60Hz	Single-phase	2 poles diff. magnetothermics 16A	10A Comp-3A Fan 16A Def-16A Light 8A Aux/Al	2-NTC probe 1-ds 1-ps	x	x

ds = door switch - ps = pressure switch

ELECTRICAL BOARDS PEGO ECP 300 VD/VD+T

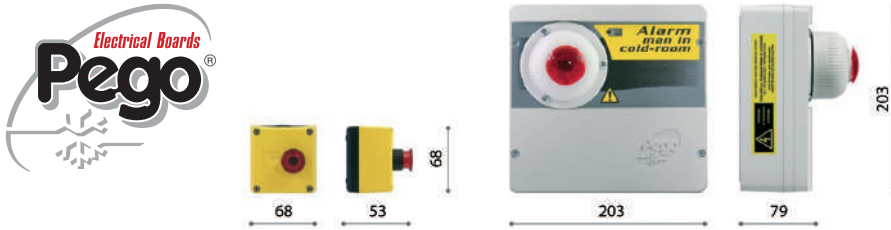


LF code	GEV code	Power supply	Load type	Main switch	Control	Outputs	Inputs	Compressor protection
3445343	LF3445343	400V (3ph+N+GND)	Three-phase	16A	External on/off	3Hp Comp-4kW Def (3ph+N) 800W Ev.fan-800W Cond. fan/solenoid valve	Thermostat-Pressure switch-Kriwan	Thermal relay
3445344	LF3445344	400V (3ph+N+GND)	Three-phase	16A	EWPlus 974+Light switch+Stand-by switch	3Hp Comp-4kW Def (3ph+N) 800W Ev.fan-800W Cond. fan/solenoid valve	Thermostat-Pressure switch-Kriwan	Thermal relay

ds = door switch - ps = pressure switch

Electrical boards

ELECTRICAL CONTROLLER PEGO ECP APE 03 - MAN IN COLD ROOM ALARM KIT



LF code	GEV code	Power supply	Buffer battery	Acoustic characteristics	Visual indicator	emergency push-button internal room	Auxiliary relay
3445345	LF3445345	230V 50Hz	12Vdc Complete recharge time 110h Autonomy 14h	piezoelectric 90db at 1m	Red LED 12Vdc	Red LED 12Vdc NC Contact	8A AC1

control box visual/acoustic alarm complete with buffer battery and emergency shiny push-button internal room

Pressure switches

PRESSURE SWITCHES JOHNSON CONTROLS P100



LF code	GEV code	Model	Low pressure	High pressure	Reset	Threaded connection	ODF connection	Cable length
3320139	542285	P100AP-306D	2.8 In - 0.3 Out	-	aut	1/4" F	-	2000
3320137	LF3320137	P100CP-102D	-	11 In - 16 Out	aut	1/4" F	-	2000
3320140	LF3320140	P100CP-104D	-	18 In - 24 Out	aut	1/4" F	-	2000
3320138	LF3320138	P100CP-106D	-	23 In - 28 Out	aut	1/4" F	-	2000
3320261	LF3320261	P100CP-107D	-	23 In - 28 Out	aut	-	6	2000

PRESSURE SWITCHES DANFOSS SERIES ACB



3

LF code	GEV code	Model	Pressure bar	Reset	Features
5078675	542487	ACB-2UA428W	10 In - 9 Out	aut	solder connection with wires (1)
3320152	542133	ACB-2UA574W	11.5 In - 8.5 Out	aut	solder connection with wires (1)
3320913	541118	ACB-2UB62		aut	solder connection with spade (2)
3320252	LF3320252	ACB-2UB131W	22 In - 29 Out	aut	flare connection with wires (3)
5038870	LF5038870	ACB-2UB178	24 In - 33 Out	aut	solder connection with spade (2)

PRESSURE SWITCHES RANCO SERIES NSD



LF code	GEV code	Model	Pressure bar	Reset	Features
7102698	542434	NSDHF10A00101	16-18	aut	solder connection with faston connector
3320151	542132	NSDHFH0A39200	17-19	aut	solder connection with wires
3320131	LF3320131	NSDHA00D39105	27-22	aut	flare connection 1/4" sae F with 3 wires (c-no-nc)

Pressure switches

PRESSURE SWITCHES AND MINI-PRESSURE SWITCHES ROBERTSHAW RANCO

RANCO



LF code	GEV code	Model	Low pressure bar	High pressure bar	Reset	Connections	Features
3320270	LF3320270	O17-R4701 Dual Heavy Duty Pressure Controls	-0.3 bar - 7 bar	6 bar - 32 bar	automatic	1/4" SAE	
3320271	LF3320271	O17-R4705 Dual Heavy Duty Pressure Controls	-0.3 bar - 7 bar	6 bar - 32 bar	LP auto / HP manual	1/4" SAE	
3320272	LF3320272	O17-R4758 Dual Heavy Duty Pressure Controls	-0.3 bar - 7 bar	6 bar - 32 bar	automatic	1/4" SAE	PED
3320273	LF3320273	O17-R4759 Dual Heavy Duty Pressure Controls	-0.3 bar - 7 bar	6 bar - 32 bar	LP auto / HP manual	1/4" SAE	PED
3320278	LF3320278	O16-R6703 Single Heavy Duty Low Pressure Control	-0.3 bar - 7 bar		automatic	1/4" SAE	
5157973	LF5157973	O16-R6705 Single Heavy Duty Low Pressure Control	-0.3 bar - 7 bar		manual	1/4" SAE	
3320281	LF3320281	O16-R6750 Single Heavy Duty High Pressure Control		6 bar - 32 bar	automatic	1/4" SAE	
3320282	LF3320282	O16-R6751 Single Heavy Duty High Pressure Control		6 bar - 32 bar	manual	1/4" SAE	
3320283	LF3320283	O16-R6758 Single Heavy Duty High Pressure Control		6 bar - 32 bar	automatic	1/4" SAE	PED
3320289	LF3320289	LPS-0 6-1 8 Mini Low Pressure switch	0.6 bar		automatic	1/4" FEMALE FLARE	1m WIRE
3320290	LF3320290	LPS-1 7-3 4 Mini Low Pressure switch	1.7 bar		automatic	1/4" FEMALE FLARE	1m WIRE
3320291	LF3320291	LPS-3 8-5 9 Mini Low Pressure switch	3.8 bar		automatic	1/4" FEMALE FLARE	1m WIRE
3320292	LF3320292	LPS-6 9-9 0 Mini Low Pressure switch	6.9 bar		automatic	1/4" FEMALE FLARE	1m WIRE
3320293	LF3320293	HPS-18-13 Mini High Pressure Switch		18 bar	automatic	1/4" FEMALE FLARE	1m WIRE
3320294	LF3320294	HPS-26-20 Mini High Pressure Switch		26 bar	automatic	1/4" FEMALE FLARE	1m WIRE
3320280	LF3320280	HPS-28-21 Mini High Pressure Switch		28 bar	automatic	1/4" FEMALE FLARE	1m WIRE
3320295	LF3320295	HPS-32-24 Mini High Pressure Switch		32 bar	automatic	1/4" FEMALE FLARE	1m WIRE

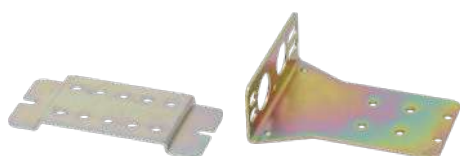
Pressure switches

PRESSURE SWITCHES DANFOSS SERIES KP



LF code	GEV code	Model	Low pressure	High pressure	Differential	Reset	Features
3320184	541464	KP1 060-1101	-0.2..7.5		0.7..4	aut	PED
3320253	LF3320253	KP5 060-5133		8..32	3	man	
3320200	541462	KP5 060-5096		8..32	1.8..6	aut	
3320254	541467	KP7W 060-1190		8..32	4..10	aut	PED
3320255	542468	KP15 060-5071	-0.2..7.5	8..32	4 High - 0.7..4 Low	aut	
3320256	541469	KP17W 060-1275	-0.2..7.5	8..32	4 High - 0.7..4 Low	aut	PED

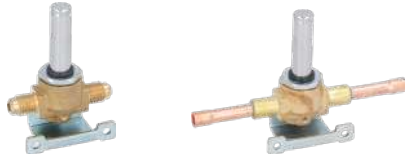
BRACKETS FOR PRESSURE SWITCHES



LF code	GEV code	Description
3320126	LF3320126	flat bracket
3320906	LF3320906	elbow bracket

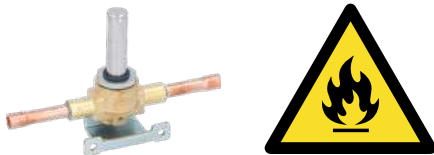
Solenoid valves

SOLENOID VALVES CASTEL NC



LF code	GEV code	Model	Threaded connection SAE	ODF connection mm - in.	Operating principle	Kv factor m ³ /h	Hole mm	Length (mm)
3120921	370150	1020/2	1/4" MM	-	Direct action	0.175	2.5	58
3120156	370788	1020/3	3/8" MM	-	Direct action	0.23	3	65
3120157	370152	1064/3	3/8" MM	-	Diaphragm	0.80	7	68
3120159	370153	1070/4	1/2" MM	-	Diaphragm	2.20	12.5	100
3120169	LF3120169	1070/5	5/8" MM	-	Diaphragm	2.61	12.5	106
3120912	370151	1028/2	-	6 - 1/4"	Direct action	0.15	2.2	125
3120905	370382	1028/M10	-	10	Direct action	0.23	3	125
3120158	370383	1068/M10	-	10	Diaphragm	0.80	7	111
3120388	370864	1028/3	-	3/8"	Diaphragm	0.23	3	125
3120389	LF3120389	1068/3	-	3/8"	Diaphragm	0.80	7	111
3120168	370385	1078/M12	-	12	Diaphragm	2.20	12.5	127
3120390	LF3120390	1078/4	-	1/2"	Diaphragm	2.20	12.5	127
3120187	370386	1078/5	-	16 - 5/8"	Diaphragm	2.61	12.5	175

SOLENOID VALVES CASTEL NC FOR REFRIGERANTS HC (R290-R600a)



LF code	GEV code	Model	ODF connection mm - in.	Operating principle	Kv factor m ³ /h
3120577	370804	1028N/2S	6 - 1/4"	Direct action	0.15
3120578	370805	1028V/2S.E	6 - 1/4"	Direct action	0.23

Solenoid valves

COILS AND CONNECTORS CASTEL



HF2



CM2



PG9

LF code	GEV code	Coil type	Model	Volt	Hertz	Connection
3120188	371321	HF2	9300/RA2	24Vac	50/60	Terminal block PG9
3120189	371301	HF2	9300/RA4	110	50/60	Terminal block PG9
3120910	371337	HF2	9300/RA6	220/230	50/60	Terminal block PG9
5057408	371414	HF2	9300/RA7	240	50/60	Terminal block PG9
3120190	LF3120190	HF2	9300/RA8	380	50/60	Terminal block PG9
3120323	371084	CM2	9110/RA6	230	50/60	Cable with 3 wires
3120223	371304	PG9	9150/R01			

COILS AND CONNECTORS CASTEL FOR REFRIGERANT HC (R290-R600a)



LF code	GEV code	Coil type	Model	Volt	Hertz	Connection
3120572	371338	HF2	9300EX/RA6	230	50/60	Terminal block PG9
3120573	LF3120573	PG9	9150EX/R02			

Solenoid valves

SOLENOID VALVES PARKER NC REFRIGERATION



LF code	GEV code	Model	Threaded connection SAE	ODF connection mm - in.	Operating principle	Kv factor m ³ /h	Hole mm	Length (mm)
3120278	LF3120278	V3F2	1/4" MM	-	Direct action	0.185	2.5	61
3120345	LF3120345	V3SM6	-	6	Direct action	0.185	2.5	102
3120212	LF3120212	V8F3	3/8" MM	-	Diaphragm	0.800	6.5	68
3120346	LF3120346	V8SM10	-	10	Diaphragm	0.80	6.5	106
3120218	LF3120218	V13F4	1/2" MM	-	Diaphragm	1.880	10	84
3120219	LF3120219	V13SM12	-	12	Diaphragm	1.880	10	127
3120221	LF3120221	V19SM16	-	16	Diaphragm	3.30	15	153

COILS AND CONNECTORS PARKER



LF code	GEV code	Model	Volt	Hertz	Watt	Connection
1120362	371316	WB4.5	230	50/60	6	terminal block A-22
1199215	LF1199215	WB8.0	230	50/60	8	terminal block A-22
5037619	LF5037619	YB09	115	50/60	9	cable with 2 wires
1120361	371033	YB09	230	50/60	9	cable with 2 wires
3120606	LF3120606	YB14	24Vac	50/60	14	cable with 2 wires
3120917	371098	YB14	230	50/60	14	cable with 2 wires
3120032	371029	ZB09	230	50/60	9	terminal block B-32
4085847	371330	ZB15	230	50/60	15	terminal block B-32
3120222	371339	RT14	230	50/60	14	terminal block B-32
3120044	371091	A-22				
3120034	371090	B-32				

Solenoid valves

SOLENOID VALVES DANFOSS EVR NC



LF code	GEV code	Model	Threaded connection SAE	ODF connection mm - in.	Kv factor m ³ /h	Hole mm	Length (mm)
3120613	370159	EVR3-32F8107	1/4"		0.27	3.3	75
3120338	370160	EVR3-32F1207		6	0.27	3.3	102
3120614	370161	EVR6-32L8072	3/8"		0.80	6.0	82
3120339	370287	EVR6-32L1213		10	0.80	6.0	111
3120675	370163	EVR10-32L8095	1/2"		1.90	10.0	103
3120616	370289	EVR10-32L1218		12	1.90	10.0	127

COILS AND CONNECTORS DANFOSS



LF code	GEV code	Model	Volt	Hertz	Watt	Connection
3120246	LF3120246	AY240C 042N4231	208-240	50/60	8	US 0.25 in Spade
3120607	LF3120607	18F7958	24Vac	50/60	10	with cable (3 wire)
3120207	371004	18F6282	230	50/60	16	with cable (3 wire)
3120208	371293	18F6193	230	50/60	17	terminal block PG9
3120669	371040	18F6176	230	50	12	with terminal box

Filters

COPPER FILTERS



LF code	GEV code	Length mm	Diameter mm	Molecular sieve g	Inlet ODF mm	Outlet ODF mm
7100514	750794	112	16	10	5.2	2.6
7100513	750793	112	16	10	6.5	2.6
7100515	LF7100515	114	16	10	6.5/4.5	2.3
3660001	LF3660001	120	19	15	5.2	2.6
3160239	750244	120	19	15	6.5	2.6
3660009	LF3660009	120	19	15	6.5	6.5
3660010	750616	125	19	15	6.5-6.5	2.5
7100512	LF7100512	141	19	20	5.2	2.6
3660002	750254	141	19	20	6.5	2.6
3660007	750617	130	24	25	6.5	2.5
3660008	750769	130	24	25	6.5	6.5
3160240	750619	140	24	30	6.5	2.6
5061764	750790	140	24	30	6.5	3.2
3160244	750276	140	24	30	6.5	6.5
3160241	750792	145	24	30	6.5-6.5	2.6
5038187	750047	145	24	30	6.5-6.5	6.5
3160401	750313	170	24	35	6.5-6.5	3.2
3660003	750791	170	24	40	6.5	2.5
4084078	750231	170	24	40	6.5	3.2
5038189	750232	170	24	40	6.5	6.5
3660005	LF3660005	190	24	50	6.5	2.5
3660004	LF3660004	190	24	50	6.2	6.2
3660006	LF3660006	190	24	50	8.5	8.5

DEHYDRATOR FILTERS WITH MOLECULAR SIEVE DENA



LF code	GEV code	Model	International code	Threaded connection SAE	Length (mm)
3160269	LF3160269	MG111	032	1/4" MM	100
3160270	LF3160270	MG112	052	1/4" MM	115
3160271	LF3160271	MG213	082	1/4" MM	142
3160272	LF3160272	MG122	053	3/8" MM	125
3160273	LF3160273	MG223	083	3/8" MM	156
3160274	LF3160274	MG224	163	3/8" MM	168
3160275	LF3160275	MG233	084	1/2" MM	162
3160276	LF3160276	MG234	164	1/2" MM	174
3160277	LF3160277	MG244	165	5/8" MM	183
3160278	LF3160278	MG345	305	5/8" MM	210

ANTI-ACID DEHYDRATOR FILTERS CASTEL



LF code	GEV code	Model	International code	Threaded connection SAE	ODF connection mm - in	Nominal volume cm ³	Length (mm)
3160921	750082	4303/2F	-	1/4" FM		50	92
3160246	750426	4305/2F	-	1/4" FM		80	109
3660016	LF3660016	4308/2F	-	1/4" FM		130	135
3160922	750083	4308/3F	-	3/8" FM		130	135
3160911	750040	4303/2	032	1/4" MM		50	103
2101878	750038	4303/2S	032S		6-1/4"	50	94
3160913	750041	4305/2	052	1/4" MM		80	119
2101961	750039	4305/2S	052S		6-1/4"	80	110
3160915	750043	4308/2	082	1/4" MM		130	146
3160918	750079	4316/2	162	1/4" MM		250	158
3160912	750427	4303/3	033	3/8" MM		50	111
3160914	750042	4305/3	053	3/8" MM		80	127
3160916	750044	4308/3	083	3/8" MM		130	154
3160919	750046	4316/3	163	3/8" MM		250	166
3160917	750078	4308/4	084	1/2" MM		130	162
3160920	750081	4316/4	164	1/2" MM		250	174
3160923	750084	4316/5	165	5/8" MM		250	183
3160552	LF3160552	DF330/4	304	1/2" MM		500	249
3160550	LF3160550	DF330/5	305	5/8" MM		500	259

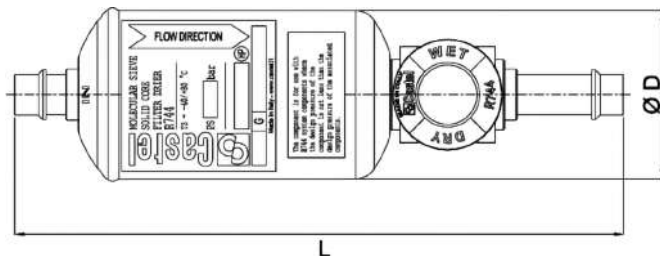
ANTI-ACID DEHYDRATOR FILTERS CASTEL FOR REFRIGERANTS HC (R290-R600a)



LF code	GEV code	Model	International code	ODF connection mm - in	Nominal volume cm ³	Length mm
3160540	750562	4303EX/2S	032S	6 - 1/4"	50	94

Filters

REFRIGERATION FILTERS WITH HUMIDITY INDICATOR



LF code	GEV code	Model	CASTEL code	SAE connection	ODS connection	Diameter mm	Length mm
3660018	LF3660018	DI305N/2	052	1/4"		64	155
3660019	LF3660019	DI305N/2S	052S		1/4"	64	166
3660020	LF3660020	DI305N/3	053	3/8"		64	165
3660023	LF3660023	DI305N/3S	053S		3/8"	64	169
3660024	LF3660024	DI305N/M10S			10 mm	64	171
5148854	LF5148854	DI308N/2	082	1/4"		64	176
3660025	LF3660025	DI308N/2S	082S		1/4"	64	187
3660026	LF3660026	DI308N/3	083	3/8"		64	186
3660027	LF3660027	DI308N/3S	083S		3/8"	64	190
3660028	LF3660028	DI308N/M10S			10 mm	64	192
3660029	LF3660029	DI308N/M12S			12 mm	64	196
3660030	LF3660030	DI308N/4	084	1/2"		64	191
3660031	LF3660031	DI308N/4S	084S		1/2"	64	194
3660032	LF3660032	DI316N/3	163	3/8"		64	206
3660033	LF3660033	DI316N/3S	163S		3/8"	64	210
3660034	LF3660034	DI316N/M10S			10 mm	64	212
3660035	LF3660035	DI316N/M12S			12 mm	64	216
3660021	LF3660021	DI316N/4	164	1/2"		64	211
3660022	LF3660022	DI316N/4S	164S		1/2"	64	214
3660036	LF3660036	DI316N/5	165	5/8"		64	221
3660037	LF3660037	DI316N/5S	165S		5/8" 16 mm	64	222
3660038	LF3660038	DI330N/4S	304S		1/2"	76	286
3660039	LF3660039	DI330N/5	305	5/8"		76	293
3660040	LF3660040	DI330N/5S	305S		5/8" 16 mm	76	293,5
3660041	LF3660041	DI330N/6	306	3/4"		76	319
3660042	LF3660042	DI330N/6S	306S		3/4"	76	316
3660043	LF3660043	DI330N/7S	307S		7/8"	76	321
3660044	LF3660044	DI341N/4S	414S		1/2"	89	290
3660045	LF3660045	DI341N/5	415	5/8"		89	297
3660046	LF3660046	DI341N/5S	415S		5/8" 16 mm	89	297,5
3660047	LF3660047	DI341N/6	416	3/4"		89	323
3660048	LF3660048	DI341N/7S	417S		7/8"	89	325

ANTI-ACID DEHYDRATOR FILTERS DANFOSS



LF code	GEV code	Model	International code	Threaded connection SAE	ODF connection	Nominal volume cm ³	Length (mm)
3160496	750037	DCL 032	032	1/4"	-	41	110
3160497	750664	DCL 052	052	1/4"	-	67	119
3660017	750032	DML 052	052	1/4"	-	67	119
3660011	750672	DCL 052S	052S	-	1/4"	67	107
3160328	750034	DCL 082	082	1/4"	-	104	145
3660012	750671	DCL 082S	082S	-	1/4"	104	133
3160374	750428	DCL 162	162	1/4"	-	234	154
3160549	750663	DCL 053	053	3/8"	-	67	132
3160373	750035	DCL 083	083	3/8"	-	104	158
3660013	750670	DCL 083S	083S	-	10 mm	104	139
3160375	750665	DCL 163	163	3/8"	-	234	167
3660014	LF3660014	DCL 163S	163S	-	10 mm	234	148
3160376	750429	DCL 164	164	1/2"	-	234	175
3660015	LF3660015	DCL 164S	164S	-	12 mm	234	152

ANTI-ACID DEHYDRATOR FILTERS DANFOSS DOUBLEFLOW



DCB

LF code	GEV code	Model	International code	Threaded connection SAE	ODF connection	Nominal volume cm ³	Length (mm)
3160381	LF3160381	DCB083S	083S	-	3/8" in	80	141

Filters

MOISTURE INDICATORS CASTEL



3910/...



3950/...



3940/...

LF code	GEV code	Model	Threaded connection SAE	ODF connection mm - in.	Length (mm)
3201024	750060	3910/22	1/4" MM	-	71.5
3201025	LF3201025	3910/33	3/8" MM	-	77.5
3201026	750424	3910/44	1/2" MM	-	81.5
3201014	750070	3950/22	1/4" FM	-	68
3201015	750008	3950/33	3/8" FM	-	74
3201016	750072	3950/44	1/2" FM	-	77
3201017	750415	3950/55	5/8" FM	-	84
3201019	750417	3940/2	-	6 - 1/4"	133
3201020	750418	3940/M10	-	10	117
3201039	750419	3940/3	-	3/8"	117
3201021	750420	3940/M12	-	12	117
3201040	750421	3940/4	-	1/2"	117
3201022	750422	3940/5	-	16 - 5/8"	131
3201023	750423	3940/M18	-	18	131

MOISTURE INDICATORS DANFOSS



SGN



SGN-S

LF code	GEV code	Model	Threaded connection SAE	ODF connection mm	Length (mm)
3221466	750412	SGN6	1/4" FM	-	67
3221467	750413	SGN10	3/8" FM	-	82
3221464	750414	SGN6S	-	6	101
3221465	750066	SGN10S	-	10	119
3101002	LF3101002	SGN12	1/2" FM	-	88
3101001	LF3101001	SGN12S	-	12	146

HUMIDITY INDICATORS SANHUA



LF code	GEV code	Model	Threaded connection SAE	ODF connection
3101003	LF3101003	SYJ6	-	6mm
3101007	LF3101007	SYJ6	1/4" FM	-
3101004	LF3101004	SYJ10	-	10mm
3101008	LF3101008	SYJ10	3/8" FM	-
3101005	LF3101005	SYJ12	-	12mm
3101006	LF3101006	SYJ16	-	16mm - 5/8"

Valves

RETENTION VALVES CASTEL



3112/...



3132/...

LF code	GEV code	Model	Threaded connection SAE	ODF connection mm - in.	Kv factor m ³ /h	Length mm	Diameter mm
3150021	LF3150021	3112/2	1/4" MM	-	0.5	56	16
3150022	750561	3132/2	-	6 - 1/4"	0.5	92	16
3150023	750811	3132/M10	-	10	1.5	107	20
3150024	750559	3132/M12	-	12	1.8	132	22
3150025	750560	3132/5	-	16 - 5/8"	3.3	139	27
3150026	LF3150026	3132/M18	-	18	5	165	33
3150027	LF3150027	3132/7	-	22 - 7/8"	5	165	33

SAFETY VALVES CASTEL



3060/...

LF code	GEV code	Model	Connection IN OUT	Orifice cross-section mm ²	Efflux coefficient Kd	Calibration range bar	Length mm	Diameter mm
3150016	LF3150016	1/4"M - 3/8"M	38.5	0.63	30	80	21.5	3060/23C300
3150017	LF3150017	3/8"M - 1/2"M	38.5	0.69	30	80	21.5	3060/34C300
3150018	LF3150018	1/2"M - 5/8"M	70.9	0.45	30	89	24.5	3060/45C300

THERMOSTATIC VALVES CASTEL



LF code	GEV code	Model	Threaded connection SAE Inlet - Outlet	Refrigerant gas	Pressure equalisation	Temperature range
3150004	750498	2220/4	3/8 - 1/2	R134a	Internal	-40°/+10°C
3150005	750499	2220/4E	3/8 - 1/2	R134a	External 1/4	-40°/+10°C
3150006	750486	2230/4	3/8 - 1/2	R404a/R507	Internal	-40°/+10°C
3150007	750500	2230/4E	3/8 - 1/2	R404a/R507	External 1/4	-40°/+10°C

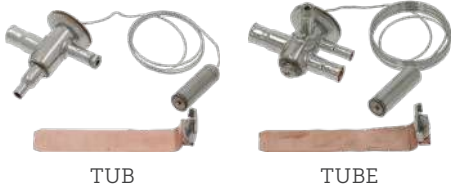
NOZZLES CASTEL



LF code	GEV code	Model
3150008	750487	0X
3150009	750488	00
3150010	750489	01
3150011	750490	02
3150012	750491	03
3150013	750492	04
3150014	750493	05
3150015	750494	06

Valves

THERMOSTATIC VALVES DANFOSS TUB/TUBE



LF code	GEV code	Model	Danfoss code	Direction	Connection Inlet - Outlet	Refr. gas	Orifice	Rated capacity kW - TR	Equal. pressure	Temp. range	MOP
3150063	750705	TUB	068U2076	Angleway	6 mm - 12 mm	R404a/R507	1	0.7 - 0.19	Internal	-40°/+10°C	
3150053	LF3150053	TUB	068U2077	Angleway	6 mm - 12 mm	R404a/R507	2	1 - 0.28	Internal	-40°/+10°C	
3150064	LF3150064	TUB	068U2078	Angleway	6 mm - 12 mm	R404a/R507	3	1.4 - 0.39	Internal	-40°/+10°C	
3150054	LF3150054	TUB	068U2079	Angleway	6 mm - 12 mm	R404a/R507	4	2.1 - 0.60	Internal	-40°/+10°C	
3150065	750016	TUB	068U2000	Angleway	6 mm - 12 mm	R134a	1	0.7 - 0.19	Internal	-40°/+10°C	
3150066	LF3150066	TUB	068U2001	Angleway	6 mm - 12 mm	R134a	2	1 - 0.28	Internal	-40°/+10°C	
3150059	LF3150059	TUB	068U2002	Angleway	6 mm - 12 mm	R134a	3	1.4 - 0.39	Internal	-40°/+10°C	
3150104	LF3150104	TUBE	068U3658	Straightway	6 mm - 12 mm	R404a/R507	5	1.8 - 0.50	6 mm	-60°/-25°C	30
3150107	LF3150107	TUBE	068U2769	Straightway	6 mm - 12 mm	R404a/R507	7	5.6 - 1.6	6 mm	-40°/-5°C	75

THERMOSTATIC VALVES DANFOSS T2/TE2



LF code	GEV code	Model	Danfoss code	Connection Inlet - Outlet	Refrigerant gas	Equalisation of pressure	Temp. range	MOP
3150041	750012	TN2	068Z3346-068Z3542	3/8"sae - 1/2"sae	R134a	internal	-40°/+10°C	
3150112	750523	TN2	068Z3384-068Z3264	3/8"sae - 12mm ODS	R134a	internal	-40°/+10°C	
3150042	750013	TEN2	068Z3348-068Z3543	3/8"sae - 1/2"sae	R134a	external - 1/4"sae	-40°/+10°C	
3150113	750810	TEN2	068Z3386-068Z3634	3/8"sae - 12mm ODS	R134a	external - 6mm ODS	-40°/+10°C	
3150105	LF3150105	TEN2	068Z3390-068Z3635	3/8"sae - 12mm ODS	R134a	external - 6mm ODS	-40°/+10°C	MOP55 (+15°C)
3150043	750014	TS2	068Z3400-068Z3508	3/8"sae - 1/2"sae	R404a/R507	internal	-40°/+10°C	
3150114	LF3150114	TS2 NM	068Z3406-068Z3639	3/8"sae - 1/2"sae	R404a/R507	internal	-40°/-5°C	MOP75 (0°C)
3150111	750801	TS2	068Z3435-068Z3482	3/8"sae - 12mm ODS	R404a/R507	internal	-40°/+10°C	
3150044	750015	TES2	068Z3403-068Z3555	3/8"sae - 1/2"sae	R404a/R507	external - 1/4"sae	-40°/+10°C	
3150163	LF3150163	TES2 NL	068Z3409-068Z3451	3/8"sae - 1/2"sae	R404a/R507	external - 1/4"sae	-40°/-15°C	MOP50 (-10°C)
3150106	LF3150106	TES2	068Z3422-068Z3478	3/8"sae - 12mm ODS	R404a/R507	external - 6mm ODS	-40°/+10°C	
3150143	LF3150143	TES2	068Z3417-068Z3453	3/8"sae - 1/2" in ODS	R404a/R507	external - 1/4" in ODS	-40°/+10°C	MOP120 (+15°C)
3150108	LF3150108	TES2 NM	068Z3442-068Z3655	3/8"sae - 12mm ODS	R404a/R507	external - 6mm ODS	-40°/-5°C	MOP75 (0°C)
3150110	LF3150110	TES2 NL	068Z3437-068Z3648	3/8"sae - 12mm ODS	R404a/R507	external - 6mm ODS	-40°/-15°C	MOP50 (-10°C)
3150144	LF3150144	TES2 NL	068Z3430-068Z3449	3/8"sae - 1/2" in ODS	R404a/R507	external - 1/4" ODS	-40°/-15°C	MOP50 (-10°C)
3150100	LF3150100	TES2 B	068Z3428-068Z3646	3/8"sae - 12mm ODS	R404a/R507	external - 6mm ODS	-60°/-25°C	MOP30 (-20°C)

NOZZLES DANFOSS



LF code	GEV code	Danfoss code	Model
3150045	750020	068-2002	0X
3150046	750021	068-2003	00
3150047	750022	068-2010	01
3150048	750023	068-2015	02
3150049	750024	068-2006	03
3150050	750483	068-2007	04
3150051	750484	068-2008	05
3150052	750485	068-2009	06

NOZZLES DANFOSS FOR WELDING ADAPTER



LF code	GEV code	Danfoss code	Model
3150134	LF3150134	068-2089	0X
3150135	LF3150135	068-2090	00
3150136	LF3150136	068-2091	01
3150137	LF3150137	068-2092	02
3150103	LF3150103	068-2093	03
3150138	LF3150138	068-2094	04
3150139	LF3150139	068-2095	05
3150140	LF3150140	068-2096	06

WELDING ADAPTERS DANFOSS



LF code	GEV code	Danfoss code	Welding connection ODF mm
3150141	LF3150141	068-2063	6
3150142	LF3150142	068-2061	10

Valves

THERMOSTATIC VALVES HONEYWELL AMV

Honeywell



AMV

AMVX

LF code	GEV code	Model	Honeywell code	Connection Inlet - Outlet	Equalisation of pressure	Evaporation pressure range
3150101	LF3150101	AMV	A0003	3/8"sae - 1/2"sae		3.2 bar
5033701	750445	AMVX	00002	3/8"sae - 1/2"sae	1/4"sae	2.5 - 3.5 bar

THERMOSTATIC VALVES HONEYWELL TMV/TMVX

Honeywell



TMV

TMVX

LF code	GEV code	Model	Honeywell code	Connection Inlet - Outlet	Refrigerant gas	Equalisation of pressure	Temperature range	MOP
3150115	LF3150115	TMV	00005	3/8"sae - 1/2"sae	R134a		-30°/+15°C	
3150116	LF3150116	TMV	00012	3/8"sae - 1/2"sae	R404a/R507		-30°/+15°C	
3150001	LF3150001	TMV	00008	3/8"sae - 1/2"sae	R404a/R507		-50°/0°C	
3150118	LF3150118	TMV	00010	3/8"sae - 1/2"sae	R404a/R507		-50°/-20°C	-10°C
3150038	750017	TMV	00009	3/8"sae - 1/2"sae	R404a/R507		-50°/-27°C	-18°C
3150130	LF3150130	TMVX	00105	3/8"sae - 1/2"sae	R134a	1/4"sae	-30°/+15°C	
3150132	LF3150132	TMVX	00112	3/8"sae - 1/2"sae	R404a/R507	1/4"sae	-30°/+15°C	
3150131	LF3150131	TMVX	00108	3/8"sae - 1/2"sae	R404a/R507	1/4"sae	-50°/0°C	

NOZZLES HONEYWELL

Honeywell



LF code	GEV code	Model
3150119	LF3150119	VD 0.3
3150120	LF3150120	VD 0.5
3150121	LF3150121	VD 0.7
3150122	750026	VD 1.0
3150123	LF3150123	VD 1.5
3150124	LF3150124	VD 2.0
3150125	LF3150125	VD 2.5
3150126	LF3150126	VD 3.0
3150127	LF3150127	VD 3.5
3150128	LF3150128	VD 4.5
3150129	LF3150129	VD 4.75

THERMOSTATIC VALVES SANHUA



LF code	GEV code	Model	Sanhua code	Connection Inlet - Outlet	Refrigerant gas	Equalisation of pressure	Temperature range
3150149	750674	RFKA03-3.4-03	RFK-24015	3/8 sae - 12 mm ODS	R404A/R507A	internal	-40°C / +10°C
3150154	750676	RFKA03-3.4-04	RFKA03-3.4-04	3/8 sae - 12 mm ODS	R404A/R507A	internal	-40°C / +10°C
3150145	LF3150145	RFKA03-3.4-21	RFK-24013	3/8 sae - 1/2 sae	R404A/R507A	internal	-40°C / +10°C
3150150	750675	RFKA03E-3.4-02	RFK-24016	3/8 sae - 12 mm ODS	R404A/R507A	external	-40°C / +10°C
3150146	LF3150146	RFKA03E-3.4-15	RFK-24014	3/8 sae - 1/2 sae	R404A/R507A	external	-40°C / +10°C
3150147	750813	RFKA04-4.0-23	RFK-24019	3/8 sae - 1/2 sae	R134	internal	-40°C / +10°C
3150151	750815	RFKA04-4.0-29	RFK-24021	3/8 sae - 12 mm ODS	R134	internal	-40°C / +10°C
3150152	750817	RFKA04E-4.0-17	RFK-24022	3/8 sae - 12 mm ODS	R134	external	-40°C / +10°C
3150148	750814	RFKA04E-4.0-19	RFK-24020	3/8 sae - 1/2 sae	R134	external	-40°C / +10°C
3120698	LF3120698	RFKH03-4.8-03	10201003402	3/8 sae - 12 mm ODS	R404A/R507A	internal	-40°C / +10°C
3120697	LF3120697	RFKH03-4.8-21 RFK-24073	10201003702	3/8 sae - 1/2 sae	R404A/R507A	internal	-40°C / +10°C
3120700	LF3120700	RFKH03E-4.8-02	10201003302	3/8 sae - 12 mm ODS	R404A/R507A	internal	-40°C / +10°C
3120699	LF3120699	RFKH03E-4.8-15 RFK-24074	10201003802	3/8 sae - 1/2 sae	R404A/R507A	external	-40°C / +10°C
3150153	LF3150153	RFKH11E-4.5-324	10201014102	3/8 sae - 12 mm ODS	R452A	external	-40°C / +10°C

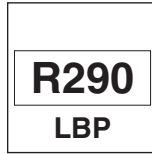
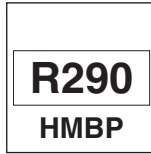
NOZZLES SANHUA SERIES H



LF code	GEV code	Sanhua code	Model
		H0X	RFKH-023-0X
3150164	LF3150164	H00	RFKH-023-00
3150165	LF3150165	H01	RFKH-023-01
3150166	LF3150166	H02	RFKH-023-02
3150167	LF3150167	H03	RFKH-023-03
3150168	LF3150168	H04	RFKH-023-04
3150169	LF3150169	H05	RFKH-023-05
3150170	LF3150170	H06	RFKH-023-06

Valves

THERMOSTATIC VALVES SANHUA - R290



LF code	GEV code	Model	Refrigerant gas	Equalisation of pressure	Working range
3150225	LF3150225	RFGB06-0.17-521	R290	internal	-40°C / +10°C
3150226	LF3150226	RFGB06-0.35-522	R290	internal	-40°C / +10°C
3150227	LF3150227	RFGB06-0.7-1047	R290	internal	-40°C / +10°C
3150229	LF3150229	RFGB06E-0.35-523	R290	external	-40°C / +10°C
3150230	LF3150230	RFGB06E-0.7-433	R290	external	-40°C / +10°C
3150231	LF3150231	RFGB06E-1.0-470	R290	external	-40°C / +10°C

ELECTRONIC VALVES CAREL

CAREL



LF code	GEV code	Model	Code CAREL	Connection Inlet - Outlet	Refrigerant gas
3150210	LF3150210	E2V03Z	E2V03ZSF13	12 - 12 mm	HFC HFO CO2
3150209	LF3150209	E2V05Z	E2V05ZSF13	12 - 12 mm	HFC HFO CO2
3150208	LF3150208	E2V09Z	E2V09ZSF13	12 - 12 mm	HFC HFO CO2
3150207	LF3150207	E2V11Z	E2V11ZSF13	12 - 12 mm	HFC HFO CO2
3150205	LF3150205	E2V14Z	E2V14ZSF13	12 - 12 mm	HFC HFO CO2
3150206	LF3150206	E2V18Z	E2V18ZSF13	12 - 12 mm	HFC HFO CO2
3150204	LF3150204	E2V24Z	E2V24ZSF13	12 - 12 mm	HFC HFO CO2

ELECTRONIC VALVES CAREL - SPARE PARTS



1



2



3



4



5



6

Photo	LF code	GEV code	Description	Code CAREL
1	3150211	LF3150211	BOBINA VALVOLA ELETTRONICA CAREL E2V	E2VSTA0200
2	3150215	LF3150215	CAVO-CONNETTORE CAREL EXV 3m IP67	E2VCABS300
3	5109942	LF5109942	CAVO-CONNETTORE CAREL EXV 6m IP67	E2VCABS600
4	3150214	LF3150214	CAVO-CONNETTORE CAREL EXV 9m IP67	E2VCABS900
5	3150216	LF3150216	CAVO-CONNETTORE CAREL E2V 3m IP67	E2VCAB0300
6	3150212	LF3150212	CAVO-CONNETTORE CAREL E2V 6m IP67	E2VCAB0600

ELECTRONIC VALVES DANFOSS



LF code	GEV code	Model	Connection Inlet - Outlet	Refrigerant gas
3150218	LF3150218	AKV 10P1	10 - 12 mm	HFCF HFC HFO CO2
3150219	LF3150219	AKV 10P2	10 - 12 mm	HFCF HFC HFO CO2
3150220	LF3150220	AKV 10P3	10 - 12 mm	HFCF HFC HFO CO2
3150221	LF3150221	AKV 10P4	10 - 12 mm	HFCF HFC HFO CO2
3150222	LF3150222	AKV 10P5	10 - 12 mm	HFCF HFC HFO CO2

ELECTRONIC VALVES DANFOSS - SPARE PARTS



LF code	GEV code	Description	Danfoss code
3120748	LF3120748	Bobina AKV 17W IP67	018F6732
3120208	LF3120208	Bobina AKV 17W IP20	018F6193
3150223	LF3150223	ORIFICI PER VALVOLA AKV (AKV 10P0 - P3)	068F5151
3150224	LF3150224	ORIFICI PER VALVOLA AKV (AKV 10P4 - P8)	068F5152

Valves

ELECTRONIC VALVES SANHUA



LF code	GEV code	Model	Connection Inlet - Outlet	Refrigerant gas
3150199	LF3150199	LPF08D-001	3/8" - 1/2"	HFCF HFC HFO CO2
3150194	LF3150194	LPF08D-003	10 -12 mm	HFCF HFC HFO CO2
3150196	LF3150196	LPF10D-002	3/8" - 1/2"	HFCF HFC HFO CO2
3150197	LF3150197	LPF10D-004	10 -12 mm	HFCF HFC HFO CO2
3150198	LF3150198	LPF14D-004	10 -12 mm	HFCF HFC HFO CO2
3150217	LF3150217	LPF18D-003	10 -12 mm	HFCF HFC HFO CO2
3150195	LF3150195	LPF24D-003	10 -12 mm	HFCF HFC HFO CO2

ELECTRONIC VALVES SANHUA - COMPLETE KIT



LF code	GEV code	Description	Sanhua code
3150202	LF3150202	SANHUA EEV KIT VALVOLA ELETTRONICA SEK10-02	SEK10-02
3150201	LF3150201	SANHUA EEV KIT VALVOLA ELETTRONICA SEK14-02	SEK14-02
3150203	LF3150203	SANHUA EEV KIT VALVOLA ELETTRONICA SEK18-02	SEK18-02
3150200	LF3150200	SANHUA EEV KIT VALVOLA ELETTRONICA SEK24-02	SEK24-02

Kits complete with electronic valve, coil, driver, pressure transducer, transducer cable and probe

ELECTRONIC VALVES SANHUA - SPARE PARTS



1



2



3



4



5

Photo	LF code	GEV code	Description	Sanhua code
1	3445650	LF3445650	DRIVER SANHUA SEC 612	SEC 612-R4
2	3397254	LF3397254	TRASDUTTORE DI PRESSIONE SANHUA YCQC2	YCQC02L18
3	3150213	LF3150213	CAVO-CONNETTORE SANHUA YCQC02-013022	YCQC02-013022
4	3397255	LF3397255	SONDA TEMPERATURA SANHUA NTC2A1	NTC2A1
5	3120745	LF3120745	BOBINA SANHUA PQ-M24 1,5m	PQ-M24012-000007
	3120747	LF3120747	BOBINA SANHUA PQ-M24 3m	PQ-M24012-000008
	3120746	LF3120746	BOBINA SANHUA PQ-M24 6m	PQ-M24012-000009

Liquid receivers

LIQUID RECEIVERS



1



2



3

Photo	LF code	GEV code	Volume	Dimensions	ODS connections
1	3370009	LF3370009	0.88 l	ø 77xh220 mm	6.2 mm
2	3370001	LF3370001	1.3 l	ø 100xh204 mm	6.2 mm
3	3370002	LF3370002	2.3 l	ø 120xh252 mm	8.2 mm

Gas taps and accessories

TAPS ROTALOCK



LF code	GEV code	Swivel connection	SAE Flare connection
3370004	LF3370004	1" UNS	3/8"
3370005	LF3370005	1" UNS	1/2"

TAPS FOR TANKS



LF code	GEV code	Model	Connection SAE	Connection NPT
3348914	LF3348914	6110/22	1/4"	1/4"

TAPS FOR HERMETIC UNITS



LF code	GEV code	Model	Charging connection - Position SAE	Connection SAE	Connection ODF mm
3348911	LF3348911	6062/22M6	1/4" - side Rh	1/4"	6
3348912	LF3348912	6072/23M10	1/4" - side Lh	3/8"	10
3348913	LF3348913	6072/24M12	1/4" - side Lh	1/2"	12

Gas taps and accessories

CAP VALVES



6010/2



6410/...



6420/...

LF code	GEV code	Model	Threaded connection SAE	ODF connection mm - in.	Kv factor m ³ /h	Length (mm)
3348900	750551	6010/2	1/4" MM	-	0.27	58
3348901	750552	6410/2	1/4" MM	-	0.4	68
3348902	750553	6410/3	3/8" MM	-	1	74
3348903	750554	6410/4	1/2" MM	-	1.45	78
3348905	750555	6420/2	-	6 - 1/4"	0.4	57
3348906	750556	6420/M10	-	10	1	61
3348907	750557	6420/M12	-	12	1.45	70
3348908	LF3348908	6420/5	-	16 - 5/8"	1.7	71
3348909	LF3348909	6420/M18	-	18	3.5	92
3348910	LF3348910	6420/M22	-	22	3.5	94

BALL VALVES



LF code	GEV code	Model	ODF connection mm - in.	Kv factor m ³ /h	Length (mm)
3348915	LF3348915	6570/M6	6	0.8	121
3348916	750535	6570/M10	10	3	121
3348917	750536	6570/M12	12	5	121
3348918	750537	6570/5	16 - 5/8"	17	139
3348919	LF3348919	6590/M18	18	17	139
3348920	LF3348920	6570/7	22 - 7/8"	29	175

Capillaries

CAPILLARIES



LF code	GEV code	Length mm	Fittings	Depressor valve
3046011	LF3046011	500	1/4"sae	
3046013	696968	500	1/4"sae	x
3046001	694842	1000	1/4"sae	
3046014	694843	1000	1/4"sae	x
3046012	696777	1500	1/4"sae	
3046015	696778	1500	1/4"sae	x

CAPILLARIES CAP-KIT



LF code	GEV code	Model	internal ø (mm)	Length (mm)
3046026	LF3046026	KK1H25	0,90	2000
3046025	LF3046025	KK2L25	1,06	3000
3046027	LF3046027	KK2H25	1,24	3000

Vibration isolators for copper pipes

VIBRATION ISOLATORS FOR COPPER PIPE



LF code	GEV code	Model	ODF connection mm	Length (mm)
3046002	LF3046002	VTG10	10	230
3046003	LF3046003	VTG12	12	230
3046004	LF3046004	VTG16	16	255
3046005	LF3046005	VTG18	18	255
3046006	LF3046006	VTG22	22	290
3046007	LF3046007	VTG28	28	330
3046008	LF3046008	VTG35	35	380
3046009	LF3046009	VTG42	42	435
3046010	LF3046010	VTG54	54	515

Copper pipes

REFRIGERATION CAPILLARY TUBE



LF code	GEV code	internal ø mm	Weight Kg	Length m
3449167	LF3449167	0.80		30
3046016	LF3046016	0.90	3	
3046017	LF3046017	1.06	3	
3449168	LF3449168	1.10		30
3046018	LF3046018	1.24	3	
3046019	LF3046019	1.37	3	
3449169	LF3449169	1.60		30

ANNEALED COPPER PIPE IN ROLLS



LF code	GEV code	external ø	Thickness mm	Weight g/m	Length m
3449600	LF3449600	6 mm	1	140	50
3449601	LF3449601	8 mm	1	197	50
3449602	LF3449602	10 mm	1	253	50
3449603	LF3449603	12 mm	1	309	50
3449604	LF3449604	14 mm	1	365	50
3449605	LF3449605	16 mm	1	421	50
3449191	LF3449191	1/4"	0.8	-	15
3449192	LF3449192	3/8"	0.8	-	15
3449193	LF3449193	1/2"	0.8	-	15

INSULATED COPPER PIPE



LF code	GEV code	Pipe external ø	Pipe thickness mm	Insulation thickness mm	Length m
3449295	694749	1/4"	0.8	9	50
3449296	694750	3/8"	0.8	9	50
3449297	694751	1/2"	0.8	9	50
3449198	LF3449198	5/8"	1	9	25

Insulators

INSULATION PIPE 2 m ARMACELL



LF code	GEV code	Model	Thickness	Internal diameter mm	Length m
3449172	LF3449172	XG 09X010	9	10	2
3449173	LF3449173	XG 09X012	9	12	2
3449174	LF3449174	XG 09X015	9	15	2
3449175	LF3449175	XG 09X018	9	18	2
3449176	LF3449176	XG 09X022	9	22	2
3449177	LF3449177	XG 13X010	13	10	2
3449178	694887	XG 13X012	13	12	2
3449179	LF3449179	XG 13X015	13	15	2
3449180	LF3449180	XG 13X018	13	18	2
3449181	LF3449181	XG 13X022	13	22	2

XG - Temperature range -50°/+105°C

INSULATION PIPE IN ROLLS ARMACELL

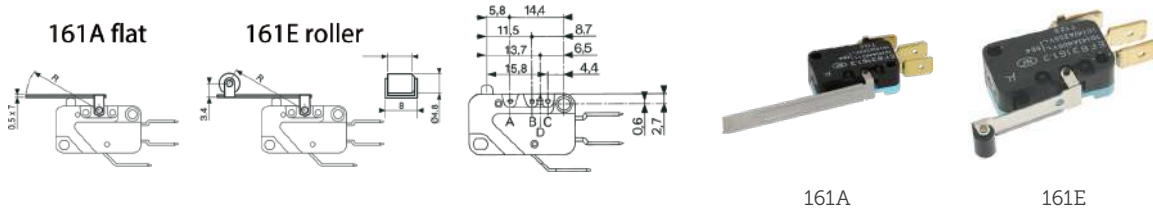


LF code	GEV code	Model	Thickness	Internal diameter mm	Length m
3180025	694746	XG 09X010/E	9	10	50
3180026	694747	XG 09X012/E	9	12	45
3180027	694748	XG 09X015/E	9	15	40
3180028	LF3180028	XG 09X018/E	9	18	38
3449186	LF3449186	XG 09X022/E	9	22	30
3180029	LF3180029	XG 13X010/E	13	10	35
3180030	LF3180030	XG 13X012/E	13	12	32
3180031	LF3180031	XG 13X015/E	13	15	28
3180032	LF3180032	XG 13X018/E	13	18	27
3449190	LF3449190	XG 13X022/E	13	22	26

XG - Temperature range -50°/+105°C

Mechanical microswitches

MICROSWITCHES CROUZET SERIES V3-83161 WITH ACTUATOR



LF code	GEV code	Model	Contacts	Terminals	Max operating force	Features	Suitable for
5086770	LF5086770	EF83161.3	1NO+1NC 16A 250V	6.3x0.8 mm	0.3N	with actuator 161A flat R=50 mm (pos.B)	MONDIAL ELITE - FRAMEC
3240568	345216	EF83161.3	1NO+1NC 16A 250V	6.3x0.8 mm	0.5N	with actuator 161E roller R=24.1 mm (pos.B)	FLONASA
3803113	LF3803113	EF83161.1	1NO+1NC 16A 250V	6.3x0.8 mm	1N	with actuator 161A flat R=50 mm (pos.B)	ISA
3240883	LF3240883	EF83161.1	1NO+1NC 16A 250V	6.3x0.8 mm	1.2N	with actuator 161A flat R=72.8 mm (pos.A)	ICEMATIC
5047787	LF5047787	EF83161.1	1NO+1NC 16A 250V	6.3x0.8 mm	1.5N	with actuator 161E roller R=24.1 mm (pos.B)	MIGEL

MICROSWITCHES CHERRY



Photo	LF code	GEV code	Model	Contacts	Terminals	Colour	Suitable for
1	3803110	LF3803110	D3B	1NO+1NC 8A 250V	6.3x0.8 mm	white	ISA
2	3240355	347674	D42X	1NO+1NC 3A 250V	6.3x0.8 mm	white	STAFF ICE SYSTEM
3	3803137	LF3803137	D43X	1NO+1NC 6A 250V	6.3x0.8 mm	black	BREMA
4	5061167	LF5061167	E65	1NO+1NC 16A 250V	6.3x0.8 mm	white	FOSTER

Mechanical microswitches

MICROSWITCHES PIZZATO SERIES MK

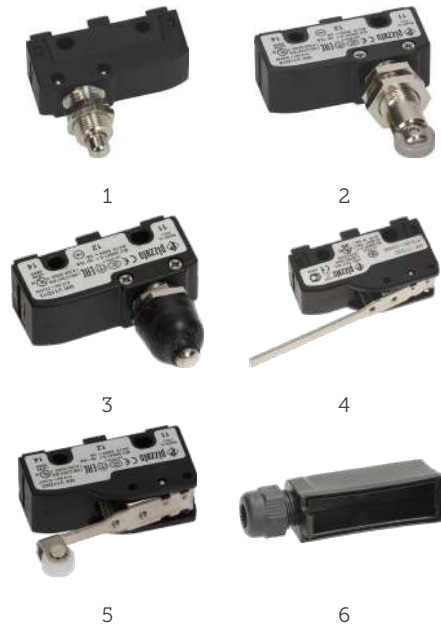
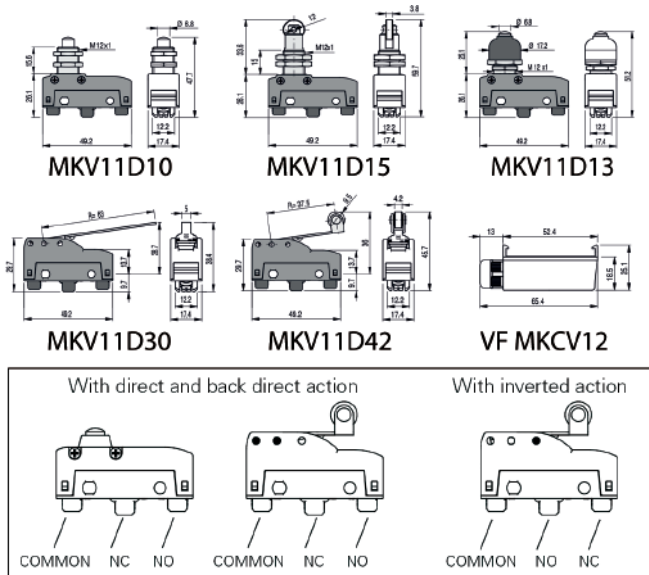
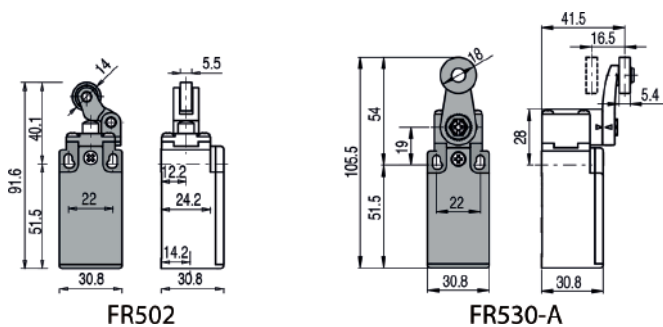


Photo	LF code	GEV code	Model	Contacts	Terminals	Suitable for
1	5061269	LF5061269	MKV11D10	1NO+1NC 16A 250V	screw	KASTEL
2	1240120	348145	MKV11D15	1NO+1NC 16A 250V	screw	
3	5084071	LF5084071	MKV11D13	1NO+1NC 16A 250V	screw	CARPIGIANI
4	9240007	LF9240007	MKV11D30	1NO+1NC 16A 250V	screw	
5	3803104	LF3803104	MKV11D42	1NO+1NC 16A 250V	screw	
	3803136	LF3803136	MKV11D40	1NO+1NC 16A 250V	screw	
6	3803105	LF3803105	VF MKCV12		protection terminal cover for multipolar cables from \varnothing 4 to \varnothing 7.5 mm	

POSITION SWITCH PIZZATO SERIES FR



LF code	GEV code	Model	Contacts
3803112	348261	FR502	1NO+1NC 3A 400V
3240155	345144	FR530-A	1NO+1NC 3A 400V

Compensation valves

COMPENSATION VALVES VA



LF code	GEV code	Model	ø hole mm	Application
3526240	LF3526240	VA 180	20	vertical
3526241	LF3526241	VA 90	20	horizontal

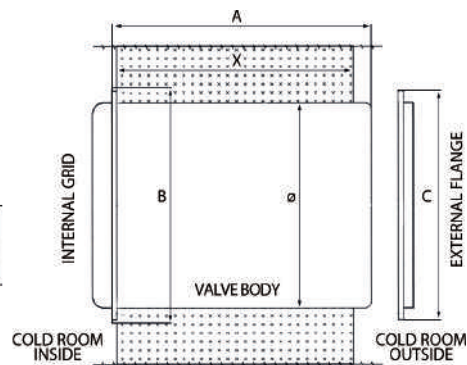
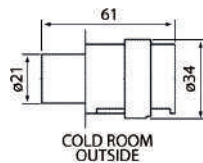
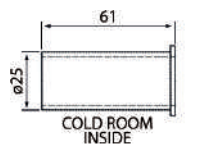
Must be installed near a heat source

COMPENSATION VALVE



LF code	GEV code	ø hole mm	Heating element	Extensible length mm	Max capacity
4092573	LF4092573	45	230V 6W	60-80-100-130	50m ³

COMPENSATION VALVES ELEBAR



MICROELEBAR

MINIELEBAR Extensible



ELEBAR

LF code	GEV code	Model	Heating element	ø hole mm	A mm	B mm	C mm	X max mm
3150079	750334	MICROELEBAR		21				
3526800	750332	MINIELEBAR TN		60	62	85		60
3150078	750330	MINIELEBAR BT Extensible	230V 7W	65	92/152	98	102	70/130
3526801	750327	ELEBAR TN		80	147	115	117	130
3526804	750328	ELEBAR BT	230V 7W	80	147	115	117	130

Refrigeration tools

SANITIZERS/DETERGENTS/CLEANING AGENTS/LUBRICANT OILS



LF code	GEV code	Brand	Description
3092346	LF3092346	ED COMPANY	DETERGENT SNOWPLOW 1l
3394066	LF3394066	WIGAM	SANITIZER CLEAN AIR SPRAY 400 ml
3394065	LF3394065	WIGAM	DETERGENT EFC
3394064	LF3394064	WIGAM	UNIVERSAL DETERGENT COIL CLEANER
3394059	LF3394059	WIGAM	DETERGENT SUPER FLUSH 6 kg
5146681	LF5146681	BREMA	CLEANER KIT ICE MACHINE BREMA (24 PCS)
3420009	LF3420009	ELKE	BUBBLE LEAK DETECTOR IN TRIGGER 1L
3092380	LF3092380	ELKE	CONDENSER CLEANER 500 ML WITH CANNET
3093005	LF3093005	ELKE	ANTI-CONDENSATION ROLL 15m
3093006	LF3093006	ELKE	PRESTITE ROLL 9.15 MT WITHOUT FILM
3420008	LF3420008	ELKE	BUBBLE LEAK DETECTOR SPRAY 400 ML
3420010	LF3420010	ELKE	CONCENTRATED LEAK STOP FOR R290/R600a
3180125	LF3180125	ELKE	LUBRICATING OIL POE 32 1l
3180124	LF3180124	ELKE	LUBRICANT OIL POE 32 250ml
3180127	LF3180127	ELKE	LUBRICANT OIL POE 32 5l
3180122	LF3180122	ELKE	LUBRICANT OIL POE 68 1l
3180123	LF3180123	ELKE	LUBRICANT OIL POE 68 250ml
3180126	LF3180126	ELKE	LUBRICANT OIL POE 68 5l
3180130	LF3180130	ELKE	OIL ACIDITY TEST KIT

Refrigeration tools

VULKAN LOKRING STRAIGHT BRASS CONNECTORS - TYPE 00



LF code	GEV code	Description	Pipe ø mm - in.
3349668	LF3349668	LOKRING 1,6 NK Ms 00	1.6mm 1/16"
3349673	LF3349673	LOKRING 1,8 NK Ms 00	1.8mm
5148740	750591	LOKRING 2 NK Ms 00	2mm 5/64"
3349669	LF3349669	LOKRING 2,2 NK Ms 00	2.2mm
3349670	LF3349670	LOKRING 2,5 NK Ms 00	2.5mm 3/32"
5148741	750581	LOKRING 3 NK Ms 00	3mm
3349671	LF3349671	LOKRING 3,2 NK Ms 00	3.2mm
3349672	LF3349672	LOKRING 3,5 NK Ms 00	3.5mm
3349524	750582	LOKRING 4 NK Ms 00	4mm 5/32"
3349525	750573	LOKRING 5 NK Ms 00	5mm 3/16"
3349526	LF3349526	LOKRING 6 NK Ms 00	6mm 1/4"
5166217	LF5166217	LOKRING 6,5 NK Ms 00	6.5mm
5166218	LF5166218	LOKRING 7 NK Ms 00	7mm
5166219	LF5166219	LOKRING 7,5 NK Ms 00	7.5mm
3349527	750577	LOKRING 8 NK Ms 00	8mm 5/16"
5166220	LF5166220	LOKRING 9,53 NK Ms 00	9.53mm 3/8"
5166221	750574	LOKRING 10 NK Ms 00	10mm

To be used in case of copper or steel tubes connection.
Different diameters tubes can also be connected. Please ask to check the available connectors sizes

VULKAN LOKRING STRAIGHT ALUMINIUM CONNECTORS - TYPE 00



LF code	GEV code	Description	Pipe ø mm - in.
3349677	LF3349677	LOKRING 1,8 NK Al 00	1.8mm
3349678	LF3349678	LOKRING 2 NK Al 00	2mm 5/64"
3349679	LF3349679	LOKRING 5 NK Al 00	5mm 3/16"
5146199	LF5146199	LOKRING 6 NK Al 00	6mm 1/4"
5146200	LF5146200	LOKRING 7 NK Al 00	7mm
5146201	LF5146201	LOKRING 7,5 NK Al 00	7.5mm
5148733	750583	LOKRING 8 NK Al 00	8mm 5/16"

To be used in case of one tube is in Aluminium.
Different diameters tubes can also be connected. Please ask to check the available connectors sizes.

Refrigeration tools

VULKAN LOKRING ASSEMBLY TOOLS

VULKAN



LF code	GEV code	Model	Description
3394261	800363	LOKTOOL HMRK-V	LOKRING HAND ASSEMBLY TOOL
3394264	890053	LOKPREP 65G	ANAEROBIC SEALANT 15ml
3508023	LF3508023	LOKPRESS Mini Set-EU	CORDLESS ASSEMBLY TOOL SET
3508022	LF3508022	LOKPRESS Mini BC EU	LOKPRESS MINI BATTERY CHARGER
3508021	LF3508021	LOKPRESS Mini LB	LOKPRESS MINI LI-ION BATTERY

VULKAN LOKRING ASSEMBLY JAWS - TYPE 00

VULKAN



LF code	GEV code	Model	For ø external tube
5129166	LF5129166	LOKTOOL MB 8	1.6mm – 8.5mm 1/16" – 5/16"
5129171	LF5129171	LOKTOOL MB 10	9mm – 11mm 3/8"
3349675	750749	LOKTOOL MB 12	12mm – 13mm 1/2"

Refrigeration tools

VULKAN LOKRING R290 SERVICE KIT

VULKAN



LF code	GEV code	Model	Description
3191003	LF3191003	LOKRING R290 SERVICE KIT	Main connectors, Tools and Jaws

The **R290 Vulkan Lokring service kit** has been created for service/maintenance in the commercial refrigeration sector including all the necessary equipment for a quick and safe intervention when flammable gases are involved (R290, R600, R600a).

Description	Quantity
HAND TOOL HMRK-V	1
ASSEMBLY JAW MB 8	2
ASSEMBLY JAW MB 10	2
LOKRING 6 NK Ms 00	5
LOKRING 8 NK Ms 00	5
LOKRING 10 NK Ms 00	5
LOKRING 6 VS Ms 00	5
LOKREP 65G 15 ml	1
LOKtool AM-SV ABRASIVE MAT	1



Cold room spare parts



LF Code: 3242951
GEV Code: LF3242951

RH-LH LOCK.HAND.W/OUT KEY LOCK 5240/3L

straight handle
length 205x28 mm
mounting distance 104 mm



LF Code: 3242952
GEV Code: LF3242952

RH-LH LOCKING HANDLE W.KEY LOCK 5240/3CL

straight handle
base length 205x28 mm
mounting distance 104 mm



LF Code: 3242953
GEV Code: LF3242953

RH-LH LOCKING HANDLE W/OUT KEY LOCK 5241L

curved handle
length 220x28 mm
mounting distance 104 mm



LF Code: 3242950
GEV Code: 694080

RH-LH LOCKING HAND.W/OUT KEY LOCK 5244L

dimension 248x28 mm
mounting distance 112 mm
nylon catch



LF Code: 3242921
GEV Code: LF3242921

LATCH RH/LH WITHOUT LOCK 560 CR

straight handle
base length 150x23x30h mm
centre distance 110 mm



LF Code: 3242579
GEV Code: 690455

LATCH RH/LH WITHOUT LOCK 570 CR

straight handle
base length 150x23x30h mm
centre distance 110 mm
coupling height 16.5 mm



LF Code: 3242945
GEV Code: 690456

LATCH RH/LH WITH LOCK 571 CR

straight handle
base length 150x23x30h mm
centre distance 110 mm
coupling height 16.5 mm



LF Code: 3242922
GEV Code: 690428

LOCKING LATCH

coupling height 16.5 mm



LF Code: 3242581
GEV Code: 690416

LATCH RH/LH WITHOUT LOCK 880 PV

black plastic straight handle
base length 122x28x35h mm
centre distance 104 mm
adjustable coupling centre distance 31 mm



LF Code: 3242386
GEV Code: 700557

LATCH RH/LH WITHOUT LOCK 880 CR

straight handle
base length 120x28x39h mm
centre distance 104 mm
adjustable coupling centre distance 31 mm



LF Code: 3242582
GEV Code: 690417

LATCH RH/LH WITH LOCK 885 PV

black plastic straight handle
base length 122x28x35h mm
centre distance 104 mm
adjustable coupling centre distance 31 mm



LF Code: 3242583
GEV Code: 700556

LATCH RH/LH WITH LOCK 885 CR

straight handle
base length 122x28x35h mm
centre distance 104 mm
adjustable coupling centre distance 31 mm

Cold room spare parts



LF Code: 3242584
GEV Code: LF3242584

LATCH RH/LH WITH LOCK 885 CR HP

straight handle
base length 122x28x35h mm
centre distance 104 mm
adjustable coupling centre distance 31 mm



LF Code: 3242946
GEV Code: 690412

LATCH RH/LH WITHOUT LOCK 790 CR

straight handle
length 254x30 mm
centre distance 133 mm
adjustable coupling from 9 to 22 mm



LF Code: 3242948
GEV Code: 690413

LATCH RH/LH WITH LOCK 795 CR

straight handle
base length 150x30x40.5h mm
centre distance 133 mm
adjustable coupling from 9 to 22 mm



LF Code: 3242947
GEV Code: 690414

LATCH RH/LH WITHOUT LOCK 791 CR

curved handle
length 254x30 mm - centre distance 133 mm
adjustable coupling from 9 to 22 mm



LF Code: 3242949
GEV Code: 690415

LATCH RH/LH WITH LOCK 796 CR

curved handle
base length 150x30x40.5h mm
centre distance 133 mm
adjustable coupling from 9 to 22 mm



LF Code: 3242042
GEV Code: LF3242042

COUPLING FOR HANDLE CHROME-PLATED

58x35x18 mm
hole spacing 42 ± 2.5 mm



LF Code: 3242178
GEV Code: 692963

LOCKING HANDLE RH/LH W/ OUT KEY LOCK

straight handle
base length 135x27 mm
mounting distance 120 mm
adjustable catch



LF Code: 3242179
GEV Code: 690402

LOCKING HANDLE RH/LH W/ OUT KEY LOCK

curved handle
base length 135x27 mm
mounting distance 120 mm
adjustable catch



LF Code: 3242180
GEV Code: 690401

LOCKING HANDLE RH/LH WITH KEY LOCK

straight handle
base length 135x27 mm
mounting distance 120 mm
adjustable catch



LF Code: 3242184
GEV Code: 690403

LOCKING HANDLE RH/LH WITH KEY LOCK

curved handle
base length 135x27 mm
mounting distance 120 mm
adjustable catch



LF Code: 3242185
GEV Code: 690404

LOCKING HANDLE RH/LH W/ OUT KEY LOCK

straight handle
base length 147x32 mm
mounting distance 118-134 mm
adjustable catch



LF Code: 3242187
GEV Code: 701679

LOCKING HANDLE RH/LH WITH KEY LOCK

straight handle
base length 147x32 mm
mounting distance 118-134 mm
adjustable catch

Cold room spare parts



LF Code: 3242403
GEV Code: LF3242403

LOCKING HANDLE RH/LH W/ OUT KEY LOCK L520

length 215x28 mm
mounting distance 120 mm



LF Code: 3242510
GEV Code: LF3242510

CATCH RH-LH WITHOUT KEY LOCK 533D

straight handle
base length 133x25xh48 mm
mounting distance 95.3-114.4 mm
adjustable catch mounting
distance 40 mm



LF Code: 3242401
GEV Code: LF3242401

LOCKING HANDLE RH/LH W/ OUT LOCK 174 CR

curved handle
length 267x25 mm
mounting distance 118-134 mm
adjustable hook



LF Code: 3242384
GEV Code: LF3242384

LOCKING HANDLE RH/LH W/ KEY LOCK 174 CR

curved handle
length 267x25 mm
distance between holes 118-134 mm
adjustable catch



LF Code: 3242157
GEV Code: 694001

LATCH RH/LH WITHOUT LOCK

chrome-plated metal
base length 185x24x33h mm
centre distance 150 mm
adjustable coupling centre
distance 26 mm



LF Code: 3242158
GEV Code: LF3242158

LATCH RH/LH WITHOUT LOCK

base length 185x24x33h mm
centre distance 150 mm
centre distance adjustable
coupling 26 mm



LF Code: 3242172
GEV Code: LF3242172

LOCKING HANDLE RH/LH WITHOUT KEY LOCK

grey metal
base length 185x24x33h mm
distance between holes 150 mm
adjustable catch 26 mm



LF Code: 3242155
GEV Code: 694002

LATCH RH/LH WITH LOCK

chrome-plated metal
base length 185x24x33h mm
centre distance 150 mm
adjustable coupling centre
distance 26 mm



LF Code: 3242156
GEV Code: LF3242156

LATCH RH/LH WITH LOCK

black metal
base length 185x24x33h mm
centre distance 150 mm
adjustable coupling centre
distance 26 mm



LF Code: 3242171
GEV Code: LF3242171

LOCKING HANDLE RH/LH WITH KEY LOCK

grey metal
base length 185x24x33h mm
mounting distance 150 mm
adjustable catch 26 mm



LF Code: 3242220
GEV Code: 700081

LOCKING WITHOUT CHROM. KEY LOCK ERGO 6188

RAHRBACH - mounting
distance 150 mm
base length 185.5x23.5x33.2h mm



LF Code: 3242307
GEV Code: 690016

LOCKING HANDLE ERGO 6188 W.CHROME PL. LO

straight handle
base length 185.5x23.5x33.2h mm
mounting distance 150 mm
RAHRBACH

Cold room spare parts



LF Code: 3242221
GEV Code: 700082

COUPLING ADJUSTABLE CHROME-PLATED

base length 38x18x31 mm
fixing centre distance 26 mm
RAHRBACH



LF Code: 3242306
GEV Code: 690947

SHIM 5 mm

RAHRBACH



LF Code: 3242188
GEV Code: LF3242188

LH-RH CATCH WITHOUT LOCK

straight handgrip
base length 138x28x32h mm
mounting distance 118 mm
adjustable catch mounting distance 30 mm



LF Code: 3242194
GEV Code: LF3242194

LOCKING HANDLE RH/LH WITH KEY LOCK

straight handle
base length 138x28 mm
mounting distance 118 mm
adjustable catch



LF Code: 3242329
GEV Code: 701675

CATCH RH-LH WITHOUT KEY LOCK

mounting distance 118 mm
dimensions 137x28x31.5 mm
STUV



LF Code: 3242325
GEV Code: 701674

CATCH RH-LH WITH KEY LOCK

mounting distance 118 mm
dimensions 137x28x31.5 mm
STUV



LF Code: 3242330
GEV Code: 700078

CATCH 15°

STUV



LF Code: 3242169
GEV Code: LF3242169

LOCKING HANDLE RH-LH WITHOUT KEY LOCK

chrome plated metal
base length 185x24x76h mm
mounting distance 150 mm
adjustable catch mounting distance 26 mm



LF Code: 3242170
GEV Code: 690396

LOCKING HANDLE RH-LH WITH KEY LOCK

chrome plated metal
base length 185x24x76h mm
mounting distance 150 mm
adjustable catch mounting distance 26 mm



LF Code: 3242406
GEV Code: LF3242406

RH-LH LOCKING HANDLE WITHOUT KEY LOCK

base length 185x24x76h mm
mounting distance 150 mm
adjustable catch mounting distance 26 mm



LF Code: 3242405
GEV Code: LF3242405

RH-LH LOCKING HANDLE WITH KEY LOCK

base length 185x24x76h mm
mounting distance 150 mm
adjustable catch mounting distance 26 mm



LF Code: 3242308
GEV Code: 690019

CATCH ERGO 6190 WO/ CHROME PL. LOCK

base length 185.5x23.5x75h mm
mounting distance 150 mm
RAHRBACH

Cold room spare parts



LF Code: 3242309
GEV Code: 690020

CATCH ERGO 6190 W/ CHROME PL. LOCK

base length 185.5x23.5x75h mm
mounting distance 150 mm
RAHRBACH



LF Code: 3242256
GEV Code: LF3242256

RH-LH LOCKING HANDLE WITHOUT KEY LOCK

base length 138x28x80h mm
mounting distance 118 mm
adjustable catch mounting distance 26 mm



LF Code: 3242244
GEV Code: LF3242244

RH-LH LOCKING HANDLE WITH KEY LOCK

base length 138x28x80h mm
mounting distance 118 mm
adjustable catch mounting distance 26 mm



LF Code: 3242332
GEV Code: 690223

CATCH RH-LH WITHOUT KEY LOCK

mounting distance 118 mm
dimensions 137x28x81 mm
STUV



LF Code: 3242333
GEV Code: 690222

CATCH RH-LH WITH KEY LOCK

mounting distance 118 mm
dimensions 137x28x81 mm
STUV



LF Code: 3242334
GEV Code: 701540

CATCH 33°

STUV



LF Code: 3242239
GEV Code: 694007

LOCKING HANDLE RH/LH W/ OUT KEY LOCK

base length 138x28x80h mm
mounting distance 118 mm
adjustable catch 26 mm



LF Code: 3242199
GEV Code: LF3242199

LOCKING HANDLE RH/LH WITH KEY LOCK

base length 138x28x80h mm
mounting distance 118 mm
adjustable catch mounting distance 26 mm



LF Code: 3242339
GEV Code: 700039

CATCH RH-LH WITHOUT KEY LOCK

mounting distance 118 mm
dimensions 190x28x81 mm
STUV



LF Code: 3242335
GEV Code: 700038

CATCH RH-LH WITH KEY LOCK

mounting distance 118 mm
dimensions 190x28x81 mm
STUV



LF Code: 3242350
GEV Code: 701541

CATCH 22°



LF Code: 3242259
GEV Code: 690008

HANDGRIP PROFILE 600 mm

Cold room spare parts



LF Code: 3242263
GEV Code: LF3242263

HANDLE CHROME PLATED FOR DOORS

complete with lock
handle mounting distance 36-41 mm



LF Code: 3242264
GEV Code: LF3242264

CHROME PLATED DOOR HANDLE

complete w/lock - mounting distance 46-15 mm
handle mounting distance 41x45x46 mm



LF Code: 3242369
GEV Code: 700558

HANDLE 651

complete with fastening - distance 44-16.5 mm
handle mounting distance 35-44-45.5 mm



LF Code: 3242370
GEV Code: 700590

HANDLE 652

with coupling - centre distance 42-14.5 mm
centre distance handle 31-35-36 mm



LF Code: 3242585
GEV Code: 700589

CLOSING CATCH

distance between holes 35 mm
adjustable from 18 to 30 mm



LF Code: 3242595
GEV Code: 700587

LOCKING COUPLING

hole spacing 43 mm
adjustable from 14 to 30 mm



LF Code: 3242393
GEV Code: LF3242393

CATCH 930 WITH FASTENING HOOK A

length 150xh52 mm
handle mounting distance 38-34-21 mm
catch mounting distance 38-12 mm



LF Code: 3242402
GEV Code: LF3242402

CATCH 931 WITH FASTENING HOOK

length 150xh60 mm
mounting distance for handle 44-41-25 mm
catch mounting distance 38-22 mm



LF Code: 3242268
GEV Code: LF3242268

COMPLETE LOCKING WITH KEY LOCK 265 mm

complete with internal handle with button
distance between locking holes 55-30 mm
external handle hole distance 52-78 mm



LF Code: 3242388
GEV Code: LF3242388

CATCH WITH KEY LOCK 56

length 280 mm
mounting distance 86-54-63.5 mm



LF Code: 3242389
GEV Code: LF3242389

CLOSING CATCH 56

adjustable height from 23 to 44 mm
mounting distance 58-65-23 mm



LF Code: 3242390
GEV Code: LF3242390

CLOSING CATCH 56

adjustable height from 48 to 70 mm
mounting distance 58-65-23 mm

Cold room spare parts



LF Code: 3242391
GEV Code: LF3242391

CATCH WITH KEY LOCK 58

length 262 mm
mounting distance 78-52.4 mm



LF Code: 3242392
GEV Code: LF3242392

CLOSING CATCH 58

adjustable height from 26 to 40 mm
mounting distance 56-29 mm



LF Code: 3242400
GEV Code: LF3242400

CLOSING CATCH 58

adjustable height from 40 to 60 mm
mounting distance 56-29 mm



LF Code: 3242387
GEV Code: LF3242387

INTERNAL OPENING PUSH BUTTON 481

for handle 56-58



LF Code: 3242394
GEV Code: LF3242394

CATCH 55 WITHOUT LOCK

complete with internal handle and fastening
length 245 mm
handle mounting distance 74-80-86 mm
catch mounting distance 32-86 mm
internal handle mounting distance 51-65 mm



LF Code: 3242385
GEV Code: 512528

HYDRAULIC CATCH 1092

length 35x35xh111 mm
mounting distance catch 15-20 mm



LF Code: 3242960
GEV Code: 690457

CELL HANDLE RH/LH 1825

centre distance 158 mm
plate dimensions 181x33 mm



LF Code: 3242959
GEV Code: 690678

ADDITIONAL RELEASE 1875

mounting distance 158 mm
dimensions 181x33 mm



LF Code: 3242981
GEV Code: 700786

RH-LH HANDLE FOR COLD R. W/OUT LOCK 2025

dimensions 197x44x59 mm



LF Code: 3242983
GEV Code: 694091

ADJUSTABLE CLAMP



LF Code: 3242982
GEV Code: 700787

ADDITIONAL RELEASE 075

122x44x59 mm



LF Code: 3242281
GEV Code: 700825

INTERNAL SECURITY HANDLE 2700

length 300 mm
mounting distance 65x35 mm

Cold room spare parts



LF Code: 3242530
GEV Code: 694079

CATCH WITH LOCK 2225 RH/LH

with internal handle
with lock release device



LF Code: 3242731
GEV Code: 700393

RH-LH CELL HANDLE WITHOUT LOCK 3025

dimensions 200x39x59 mm



LF Code: 3242550
GEV Code: LF3242550

3-POINT LH CATCH 1926 WITH KEY

including:
1 external handle
2 blocks
2 strike blocks
1 internal hooking button



LF Code: 3242551
GEV Code: 700571

SUPPLEMENTARY LOCK

mounting distance 121-136 mm



LF Code: 3242356
GEV Code: 700611

LH LOCK 1220 WITH 3 POINTS

1 external handle
2 locks and 2 lock clamps



LF Code: 3242355
GEV Code: 700612

LATCH 1220 RH 3-POINT

consisting of 1 external handle
2 blocks and 2 block hooks



LF Code: 3242553
GEV Code: 700614

3-POINT RH CATCH 1221 WITH KEY

including:
1 external handle
2 blocks
2 strike blocks
1 internal hooking button



LF Code: 3242554
GEV Code: 700609

SUPPLEMENTARY LOCK 90x52 mm



LF Code: 3242562
GEV Code: 700610

COUPLING FOR ADDITIONAL LOCK



LF Code: 3242968
GEV Code: 694777

RIGHTHAND DOOR HANDLE F/COLD ROOM 300 mm

for more than 100 mm thick panels
fixing plate 150x48x120 mm



LF Code: 3242964
GEV Code: 694778

LEFTHAND DOOR HANDLE F/ COLD ROOM 300 mm

for more than 100 mm thick panels
fixing plate 150x48x120 mm



LF Code: 3242965
GEV Code: LF3242965

ADDITIONAL RELEASE CHROME-PLATED

100x55xh60 mm

Cold room spare parts



LF Code: 3242963
GEV Code: LF3242963

HANDLE FIXING PLATE

dimension 99x47x7 mm



LF Code: 3242966
GEV Code: 696890

RIGHTHAND DOOR HANDLE COLD ROOM 420 mm

for more than 100 mm thick panels
fixing plate 160x70x120 mm



LF Code: 3242961
GEV Code: 696891

LEFTHAND DOOR HANDLE COLD ROOM 420 mm

for more than 100 mm thick panels
fixing plate 160x70x120 mm



LF Code: 3242962
GEV Code: LF3242962

ADDITIONAL RELEASE CHROME-PLATED

110x70xh72 mm



LF Code: 3242975
GEV Code: LF3242975

FIXING PLATE

dimension 109x56x7 mm



LF Code: 3242967
GEV Code: LF3242967

SAFETY DOOR HANDLE 300 mm

mounting distance 41x65 mm



LF Code: 3242970
GEV Code: LF3242970

SAFETY DOOR HANDLE FIXING PLATE



LF Code: 3242720
GEV Code: LF3242720

DOOR CATCH 4225 RIGHTHAND

complete with internal handle
with lock release device



LF Code: 3242721
GEV Code: LF3242721

DOOR SHIM KIT 60/80 mm



LF Code: 3242722
GEV Code: LF3242722

DOOR SHIM KIT 81/100 mm



LF Code: 3242723
GEV Code: LF3242723

DOOR SHIM KIT 101/120 mm



LF Code: 3242536
GEV Code: 694081

LOCKING HANDLE 5325AB

dimensions 195.5x147.3xh39 mm

Cold room spare parts



LF Code: 3242537
GEV Code: 694082

DOOR SHIM KIT 50/60 mm



LF Code: 3242538
GEV Code: 694083

DOOR SHIM KIT 61/80 mm



LF Code: 3242539
GEV Code: 694084

DOOR SHIM KIT 81/100 mm



LF Code: 3242740
GEV Code: LF3242740

CATCH 7325CQN WITH LOCK

with internal safety push-button
complete with strike hook 27/42 mm



LF Code: 3242760
GEV Code: 694894

KIT 7000 DOOR THICKNESS 50/69 mm



LF Code: 3242761
GEV Code: LF3242761

KIT 7000 DOOR THICKNESS 70/89 mm



LF Code: 3242762
GEV Code: 694895

KIT 7000 DOOR THICKNESS 90/109 mm



LF Code: 3242763
GEV Code: 694896

KIT 7000 DOOR THICKNESS 110/129 mm



LF Code: 3242741
GEV Code: 694898

STRIKE SHIM 42/57 mm



LF Code: 3242742
GEV Code: 694899

STRIKE SHIM 57/72 mm



LF Code: 3242743
GEV Code: LF3242743

STRIKE SHIM 72/87 mm



LF Code: 3242744
GEV Code: 694900

STRIKE SHIM 87/102 mm

Cold room spare parts



LF Code: 3242294
GEV Code: LF3242294

CATCH 5660 WITHOUT KEY LOCK

for door thickness 80/90 mm



LF Code: 3242295
GEV Code: LF3242295

CATCH 5660 WITH KEY LOCK

door thickness 80/90 mm



LF Code: 3242296
GEV Code: LF3242296

CATCH 5660 WITHOUT KEY LOCK

door thickness 60/70 mm



LF Code: 3242297
GEV Code: LF3242297

CATCH 5660 WITH KEY LOCK

door thickness 60/70 mm



LF Code: 3242541
GEV Code: LF3242541

BALL CATCH WITH KEY LOCK

with internal safety handle
door thickness 50 to 140 mm
rh/lh reversible



LF Code: 3242542
GEV Code: 690993

LOCKING HANDLE RH/LH WITH KEY LOCK

with internal safety handle
door thickness 50 to 140 mm
rh/lh reversible



LF Code: 3242751
GEV Code: 701502

CATCH 431 WITH LOCK

with internal safety handle
door thickness from 67 to 115 mm



LF Code: 3242752
GEV Code: 700616

CATCH 431 WITH LOCK

with internal safety handle
door thickness from 116 to 165 mm



LF Code: 3242572
GEV Code: LF3242572

CATCH WITHOUT STRIKE 521 HP

with lock
238x136,5 mm



LF Code: 3242573
GEV Code: LF3242573

STRIKE HP FOR DOOR THICKNESS 27/43 mm



LF Code: 3242574
GEV Code: LF3242574

STRIKE HP FOR DOOR THICKNESS 44/60 mm



LF Code: 3242575
GEV Code: LF3242575

STRIKE HP FOR DOOR THICKNESS 61/77 mm

Cold room spare parts



LF Code: 3242576
GEV Code: LF3242576

STRIKE HP FOR DOOR THICKNESS 78/94 mm



LF Code: 3242577
GEV Code: LF3242577

STRIKE HP FOR DOOR THICKNESS 95/111 mm



LF Code: 3242563
GEV Code: 692532

LOCK ASSEMBLY

for 921HP



LF Code: 3242348
GEV Code: 700576

LOCKING HANDLE 620

without key lock
213x104xh50 mm



LF Code: 3242349
GEV Code: 700784

CATCH 621 WITH LOCK

213x104xh50 mm



LF Code: 3242560
GEV Code: 700619

CLOSING CATCH 620/621



LF Code: 3242396
GEV Code: 700795

SHIM 15 mm

for door thickness 42/57 mm



LF Code: 3242397
GEV Code: 700796

SHIM 30 mm

for door thickness 57/72 mm



LF Code: 3242398
GEV Code: LF3242398

SHIM 40 mm

for door thickness 67/80 mm



LF Code: 3242357
GEV Code: LF3242357

LOCKING HANDLE WITHOUT CLAMP 920

without key lock
245x108xh52 mm



LF Code: 3242358
GEV Code: 701645

LOCKING HANDLE WITHOUT CLAMP 921

with key lock
245x108xh52 mm



LF Code: 3242395
GEV Code: 700577

DOOR SHIM FITTING 27/42 mm



LF Code: 3242399
GEV Code: 700578

DOOR SHIM FITTING 42/57 mm



LF Code: 3242359
GEV Code: 700579

DOOR SHIM FITTING 52/72 mm

for lock 920/921



LF Code: 3242360
GEV Code: 700580

DOOR SHIM FITTING 69/89 mm

for lock 920/921



LF Code: 3242545
GEV Code: 700574

CATCH WITHOUT STRIKE 921HP

Cold room spare parts



LF Code: 3242568
GEV Code: LF3242568

STRIKE HP FOR DOOR THICKNESS 27/42 mm

for 921HP



LF Code: 3242548
GEV Code: LF3242548

STRIKE HP FOR DOOR THICKNESS 42/57 mm

for 921HP



LF Code: 3242708
GEV Code: LF3242708

STRIKE HP FOR DOOR THICKNESS 52/72 mm

for 921 HP



LF Code: 3242561
GEV Code: LF3242561

STRIKE HP FOR DOOR THICKNESS 52/72 mm

for 921HP
with micro switch in the strike allowing to control:
open/closed door indicator
opening/closing operation count
alarm disconnection
evaporators and ventilators stop
Operating voltages 12 V (10 A) - 24 V (5A)
with cable 1500 mm



LF Code: 3242569
GEV Code: 701043

STRIKE HP FOR DOOR THICKNESS 69/89 mm

for 921HP



LF Code: 3242570
GEV Code: 700791

STRIKE HP FOR DOOR THICKNESS 86/106 mm

for 921HP



LF Code: 3242361
GEV Code: 700618

INTERNAL RELEASE PUSH-BUTTON

for lock 620/621/920/921



LF Code: 3242362
GEV Code: 701418

GREEN CAP



LF Code: 3242702
GEV Code: 694074

EXTERNAL HANDLE 500TN

without lock
200x110xh50 mm



LF Code: 3242700
GEV Code: 694077

EXTERNAL HANDLE WITH KEY-LOCK 500TN

200x110xh50 mm



LF Code: 3242701
GEV Code: LF3242701

INTERNAL HANDLE CSI 500TN

79x145 mm
distance between fixing holes 110 mm



LF Code: 3250226
GEV Code: 694523

SPRING FOR INTERNAL CATCH

for handles from 2013 onwards
for old model the handle requires replacing
LF code 3242701

Cold room spare parts



LF Code: 3242996
GEV Code: 694078

COMPLETE DOOR HANDLE KIT 265 mm

with pin for opening from inside for 60÷70 mm thick COLD ROOM doors



LF Code: 3242917
GEV Code: 694087

COMPLETE HANDLE ASSEMBLY KIT

with mushroom pin for opening from inside for COLD ROOMS doors 80÷90 mm thick



LF Code: 3242918
GEV Code: 694088

COMPLETE HANDLE ASSEMBLY KIT

with mushroom-shape pin for opening from inside for COLD ROOMS doors 100÷110 mm thick



LF Code: 3242890
GEV Code: 692917

HANDLE JUMBO WITH KEY

length 300 mm



LF Code: 3242095
GEV Code: 692885

LOCK CLOSURE UPPER PART

61x60xh48 mm



LF Code: 3242096
GEV Code: 690061

PLATE FOR DOOR STRIKE PIN 30-43 mm



LF Code: 3242097
GEV Code: LF3242097

PLATE FOR DOOR STRIKE PIN 51-65 mm



LF Code: 3242540
GEV Code: LF3242540

BUMP PLATE 71-85 mm



LF Code: 3242894
GEV Code: 690069

INTERNAL BUTTON 108-124 mm



LF Code: 3242891
GEV Code: 690066

INTERNAL BUTTON 60-76 mm



LF Code: 3242892
GEV Code: LF3242892

INTERNAL BUTTON 76-92 mm



LF Code: 3242893
GEV Code: 690068

INTERNAL BUTTON 92-108 mm

Cold room spare parts



LF Code: 3242439
GEV Code: 692761

ROLL FOR JUMBO



LF Code: 3242098
GEV Code: 690064

SHIM 7.5 mm



LF Code: 3242313
GEV Code: 690002

DOOR CATCH TH.80 mm RIGHTHAND

STUV



LF Code: 3242315
GEV Code: 690326

DOOR CATCH TH.100 mm RIGHTHAND

STUV



LF Code: 3242321
GEV Code: 690160

DOOR CATCH TH.120 mm RIGHTHAND

STUV



LF Code: 3242323
GEV Code: 690164

SHIM 11 mm

STUV



LF Code: 3242324
GEV Code: 690165

SHIM 18 mm

STUV



LF Code: 3242322
GEV Code: 692961

INTERNAL HANDLE FIXING PLATE

STUV



LF Code: 3242703
GEV Code: 694779

EXTERNAL HANDLE 480TN COMPLETE

handle length 551 mm
for doors model 480TN-
480LWT-480GV-480BIN.INT.



LF Code: 3242704
GEV Code: 694245

INTERNAL HANDLE 480TN NEW TYPE RH

length 765 mm
mounting bracket 165x60 mm
for COLD ROOMS model
480TN-480LWT-480GV-
480BIN.INT



REPA Deutschland GmbH

Gadastr. 4
85232 Bergkirchen
info.ger@repagroup.com
www.gev-online.com

REPA Italia s.r.l. a socio unico

Via Voltri 80
47522 Cesena FC
info.it@repagroup.com
www.lfspareparts724.com

REPA France S.A.S.

13 Rue des Forts
59960 Neuville en Ferrain
france@repagroup.com
www.epgc.com

REPA Iberia, S.L.U.

Energía, 39-41 – PI Famadas
08940 Cornellá (Barcelona)
info.es@repagroup.com
www.gev-online.com

REPA Nederland B.V.

Jac. P. Thijsseweg 1H
2408 ER Alphen aan den Rijn
info.nl@repagroup.com
www.gev-online.com

REPA Austria GmbH

Austraße 12
5110 Oberndorf bei Salzburg
office@repa.at
www.repa.at

REPA (China) Co.Ltd

Rm 210, No.2 Bd, 3601 Dongfang Rd
200125 Shanghai
info.cn@repagroup.com
www.gev-online.com

REPA Swiss GmbH

Junkerbifangstrasse 18
4800 Zofingen
info.ch@repagroup.com
www.gev-online.com