



REFRIGERATION TOP SELLERS

*Selection of spare parts
for commercial refrigeration*



INDEX

ACCUMULATORS	147	PRESSURE VALVES FOR REFRIGERATION	153
AXIAL MOTOR FANS	58	REFRIGERATION FILTERS	148
CHECK-SAFETY VALVES FOR REFRIGERATION	154	REFRIGERATION UNITS	41
COMPENSATION VALVES FOR REFRIGERATION	190	REFRIGERATORS CONDENSERS	56
COMPRESSORS	3	REFRIGERATORS EVAPORATORS	48
COPPER PIPES FOR REFRIGERATION	165	REVERSING VALVES FOR REFRIGERATION	155
DRIP TRAYS FOR REFRIGERATION	55	SHOCK ABSORBERS	186
ELECTRIC BOARDS	130	SOLENOID VALVES	143
ELECTRONIC CONTROLLERS	99	TANGENTIAL AND RADIAL MOTOR FANS	87
FITTINGS	168	TAPES	189
GAS TAPS AND ACCESSORIES	163	TELETHERMOMETERS	93
GLUES	187	THERMOSTATIC VALVES FOR REFRIGERATION	157
HEATING ELEMENTS	51	THERMOSTATS	95
INSULATORS	167	TIMERS	137
LIQUID AND MOISTURE INDICATORS	152		
LIQUID RECEIVERS	162		
MAGNETIC MICROSWITCHES	181		
MAGNETS	184		
MECHANICAL MICROSWITCHES	173		
MOTORS	66		
POSITION SWITCHES	186		
POTENTIOMETERS	129		
PRESSURE SWITCHES	141		



CUBIGEL COMPRESSORS

CUBIGEL COMPRESSORS R134a LBP

cubigel
compressors



L/B



GL

R134a
LBP

LF Code	GEV code	Model	Motor power HP	Displac. cm ³	Electric diagram	LRA	Watt	Ampere	Refrigeration power Watt				Power supply Volt/Ph/Hz
									Evaporating temperature °C	-30	-25	-20	
3070363	LF3070363	L22HL	1/20	2.2	RSIR	1.8	54	0.48	24	35	46	79	220-240/1/50
3070371	LF3070371	L30HL	1/12	3.1	RSIR	2.6	74	0.60	34	49	67	112	220-240/1/50
3070370	LF3070370	B43H	1/10	4.3	RSIR	4.3	93	0.84	50	71	96	157	220-240/1/50-60
3070196	605197	GL60AA	1/6	6.0	RSIR	9	126	0.85	75	107	145	239	220-240/1/50
3070197	605062	GL80AA	1/5	8.1	RSIR	11.5	162	1.1	102	144	196	326	220-240/1/50
3070201	605185	GL90AA	1/4	9.1	RSIR	12.8	184	1.2	119	165	219	351	220-240/1/50
3070198	S0089312	GL99AA	1/3	10.0	RSIR	14	189	1.3	125	175	233	377	220-240/1/50

Condensation temperature +55°C - Test conditions CECOMAF EN12900

CUBIGEL COMPRESSORS R134a HMBP

cubigel
compressors



B



GL/GP



GX



GS

R134a
HMBP

LF Code	GEV code	Model	Motor power HP	Displac. cm ³	Electric diagram	LRA	Watt	Ampere	Refrigeration power Watt				Power supply Volt/Ph/Hz
									Evaporating temperature °C	-10	-5	0	
3070364	LF3070364	B30G	1/10	3.1	CSIR	4.0	103	0.8	117	152	190	229	220-240/1/50
3070368	LF3070368	B35GL	1/10	3.5	CSIR	5.5	136	0.9	130	166	210	262	220-240/1/50
3070369	605282	B38G	1/8	3.8	CSIR	4.2	152	1.0	160	198	241	291	220-240/1/50
3070011	605012	GL45TB	1/6	4.5	CSIR	6.5	220	1.2	175	223	278	342	220-240/1/50
3070012	605007	GL60TB	1/5	5.7	CSIR	8.3	250	1.5	222	284	356	437	220-240/1/50
3070013	605008	GL80TB	1/4L	7.6	CSIR	9.8	315	1.8	280	360	451	554	220-240/1/50
3070014	605009	GL90TB	1/4	8.8	CSIR	12.0	360	2.1	339	432	539	661	220-240/1/50
3070278	LF3070278	GL11TB	1/3	9.9	CSIR	12.5	422	2.5	426	539	670	817	220-240/1/50
3070365	605312	GLY12RAa	1/3	10.7	CSIR	14.8	362	2.2	438	555	698	867	220-240/1/50
3070051	605011	GP14TB	3/8	14.0	CSIR	18.0	590	3.4	497	643	810	999	220-240/1/50
3070156	605170	GP16TB	3/8	16.0	CSIR	20.0	666	3.9	619	788	983	1205	220-240/1/50
3070016	605182	GX18TB	1/2	18.4	CSIR	24.0	755	4.6	709	907	1134	1390	220-240/1/50
3070084	LF3070084	GX21TB	5/8	20.7	CSIR	26.0	850	5.3	792	1012	1265	1550	220-240/1/50
3070083	605212	GX23TB	5/8	23.2	CSIR	26.0	950	5.8	887	1132	1413	1730	220-240/1/50
3070085	S0086601	GS26TB	3/4	25.9	CSR	32.0	1030	6.3	984	1306	1668	2071	220-240/1/50
3070086	605211	GS34TB	1	34.4	CSR	32.0	1300	6.6	1439	1860	2331	2852	220-240/1/50

Condensation temperature +55°C - Test conditions CECOMAF EN12900

CUBIGEL COMPRESSORS

CUBIGEL COMPRESSORS R404a-R507 LBP

cubigel
compressors



ML/MP



MX



MS

R404a R507
LBP

LF Code	GEV code	Model	Motor power HP	Displac. cm ³	Electric diagram	LRA	Watt	Ampere	Refrigeration power Watt				Power supply Volt/Ph/Hz	
									Evaporating temperature °C					
									-30	-25	-20	-10		
3070087	LF3070087	ML45FB	1/6	4.6	CSIR	8.5	210	1.4	100	134	174	275	220-240/1/50	
3070041	LF3070041	ML60FB	1/5	6.0	CSIR	9.0	260	1.6	134	178	229	352	220-240/1/50	
3070042	605207	ML80FB	1/4L	8.1	CSIR	12.2	340	2.1	190	253	326	507	220-240/1/50	
3070043	605176	ML90FB	1/4	8.8	CSIR	12.2	350	2.3	208	276	356	550	220-240/1/50	
3070366	LF3070366	MLY90LAa	1/3	9.1	CSIR	11.5	343	2.3	236	311	399	612	220-240/1/50	
3070374	605278	MLY12LAa	3/8	10.7	CSIR	18.5	430	2.9	294	387	495	762	220-240/1/50	
3070213	LF3070213	MPT12LA	3/8	12.1	CSR	13.9	467	2.2	348	453	601	876	220-240/1/50	
3070032	605073	MP14FB	1/2	14.0	CSIR	17.5	560	3.4	304	422	558	881	220-240/1/50	
3070228	605307	MPT14LA	1/2	14.3	CSR	16.0	565	2.8	420	535	669	988	220-240/1/50	
3070279	LF3070279	MPT16LA	1/2	16.1	CSR	19.0	605	2.9	467	610	788	1165	220-240/1/50	
3070033	605127	MX18FBa	5/8	18.4	CSR	18.0	600	3.0	397	548	724	1151	220-240/1/50	
3070034	605075	MX21FBa	3/4	20.7	CSR	24.0	695	3.5	464	632	828	1301	220-240/1/50	
3070072	605180	MX23FBa	1	23.2	CSR	24.0	790	4.0	536	720	937	1410	220-240/1/50	
3070035	LF3070035	MS26FB	1.2	25.9	CSR	30.0	890	4.5	572	816	1094	1744	220-240/1/50	
3070066	605195	MS34FB	1.5	34.4	CSR	39.0	1205	6.4	764	1089	1457	2319	220-240/1/50	

Condensation temperature +55°C - Test conditions CECOMAF EN12900

CUBIGEL COMPRESSORS R404a-R507 HMBP

cubigel
compressors



ML/MP



MX



MS

R404a R507
HMBP

LF Code	GEV code	Model	Motor power HP	Displac. cm ³	Electric diagram	LRA	Watt	Ampere	Refrigeration power Watt				Power supply Volt/Ph/Hz	
									Evaporating temperature °C					
									-10	-5	0	+5		
3070161	605020	ML40TB	1/6	4.0	CSIR	8.4	340	1.9	266	327	396	473	220-240/1/50	
3070021	605068	ML45TB	1/5	4.5	CSIR	9.7	365	2.1	296	364	441	528	220-240/1/50	
3070022	605013	ML60TB	1/4	5.7	CSIR	10.6	440	2.5	352	438	536	647	220-240/1/50	
3070023	605014	ML80TB	1/3	7.6	CSIR	12.8	555	3.1	487	604	735	880	220-240/1/50	
3070367	LF3070367	MLY80RAa	1/3	8.1	CSIR	14.0	485	3.0	579	717	873	1049	220-240/1/50	
3070024	605028	ML90TB	3/8	8.5	CSIR	16.0	669	3.8	583	721	879	1055	220-240/1/50	
3070340	605310	MPT12RA	1/2	12.1	CSR	18.5	817	3.8	899	1097	1317	1559	220-240/1/50	
3070341	605067	MPT14RA	5/8	14.3	CSR	21.0	984	4.5	983	1208	1464	1750	220-240/1/50	
3070036	605072	MX18TBa	3/4	18.4	CSR	29.5	1245	6.5	1185	1472	1796	2157	220-240/1/50	
3070063	605093	MX21TBa	1	20.7	CSR	33.0	1415	7.1	1331	1653	2018	2425	220-240/1/50	
3070064	605071	MS26TB	1.2	25.9	CSR	38.0	1629	8.1	1687	2133	2632	3185	220-240/1/50	
3070065	LF3070065	MS34TB	1.5	34.4	CSR	41.0	2300	11.5	2370	2935	3556	4231	220-240/1/50	

Condensation temperature +55°C - Test conditions CECOMAF EN12900

CUBIGEL COMPRESSORS

CUBIGEL COMPRESSORS R290 LBP

cubigel
compressors



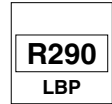
NUY-NUT



NLY



NP



LF Code	GEV code	Model	Motor power HP	Displac. cm ³	Electric diagram	LRA	Watt	Ampere	Refrigeration power Watt				Power supply Volt/Ph/Hz
									Evaporating temperature °C	-30	-25	-20	
3070401	605361	NUY45LAa	1/5	4.5	CSIR	7.5	131	0.85	148	191	239	353	220-240/1/50
3070396	605355	NUT55CAc	1/5	5.5	RSIR	6.0	154	0.97	189	242	303	450	220-240/1/50
3070398	605358	NUT60CAa	1/4	6.0	RSIR	7.3	174	1.1	211	270	338	501	220-240/1/50
3070404	605364	NLY90LAa	1/3	9.09	CSIR	13.5	291	2.0	293	377	473	700	220-240/1/50
3070403	605363	NLY12LAa	3/8	10.70	CSIR	16.5	380	2.1	348	445	555	818	220-240/1/50
3070407	605367	NPY14LAa	1/2	14.32	CSIR	18.0	463	2.7	466	593	740	1091	220-240/1/50
5120943	LF5134815	NPT16LA	1/2	16.15	CSR	19.0	486	2.4	541	689	857	1257	220-240/1/50

Condensation temperature +45°C - Test conditions CECOMAF EN12900

CUBIGEL COMPRESSORS R290 HMBP

cubigel
compressors



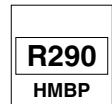
NBC



NUY



NP

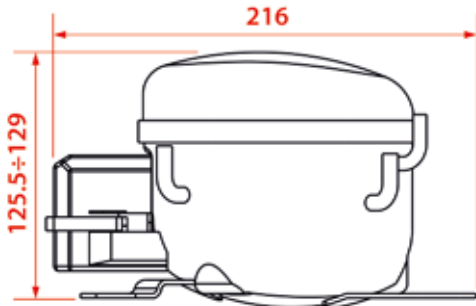


LF Code	GEV code	Model	Motor power HP	Displac. cm ³	Electric diagram	LRA	Watt	Ampere	Refrigeration power Watt				Power supply Volt/Ph/Hz
									Evaporating temperature °C	-10	-5	0	
3070405	605365	NBC30RA	1/10	3.10	CSIR	6.5	138	1.1	196	242	295	354	220-240/1/50
3070397	605356	NUY45RAa	1/5	4.56	CSIR	10.5	184	1.3	289	355	431	516	220-240/1/50
3070406	605366	NUY60RAa	1/4	6.00	CSIR	12.9	256	1.8	407	497	600	714	220-240/1/50
3070402	605362	NUY80RAa	1/3	8.10	CSIR		368	2.5	558	671	796	931	220-240/1/50
3070400	605360	NPY12RAa	1/2L	12.10	CSIR	20.0	578	3.5	800	993	1212	1460	220-240/1/50
3070399	605357	NPT14RA	1/2	14.32	CSR	21.0	622	3.0	916	1125	1389	1709	220-240/1/50

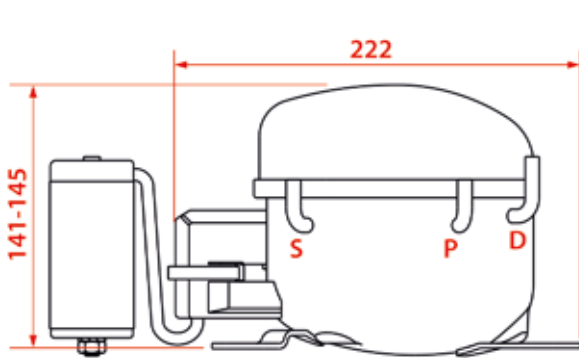
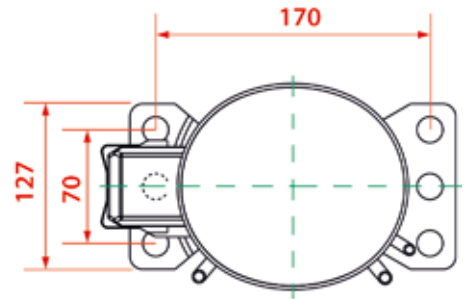
Condensation temperature +55°C - Test conditions CECOMAF EN12900

CUBIGEL COMPRESSORS

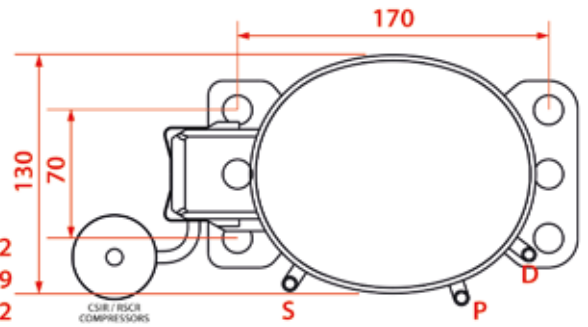
Small L



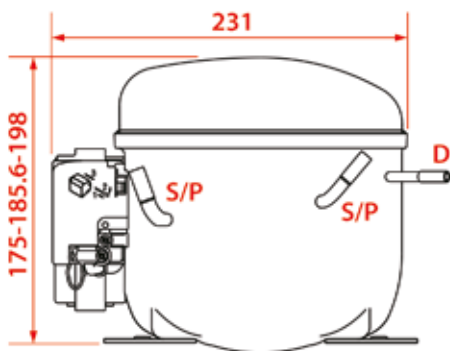
S=Suction 6.2
D=Discharge 4.9
P=Process 6.2



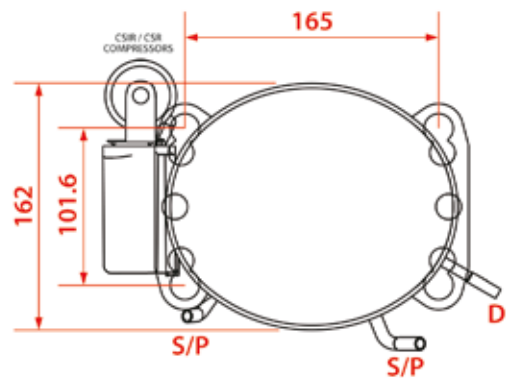
B
S=Suction 6.2
D=Discharge 4.9
P=Process 6.2



L

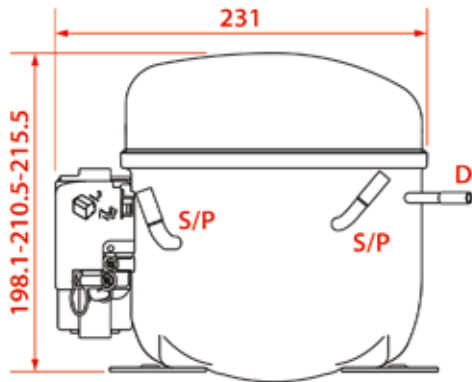


S=Suction 6.5
D=Discharge 4.9
P=Process 6.5

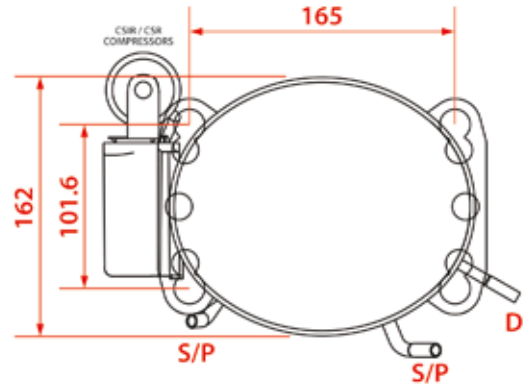


CUBIGEL COMPRESSORS

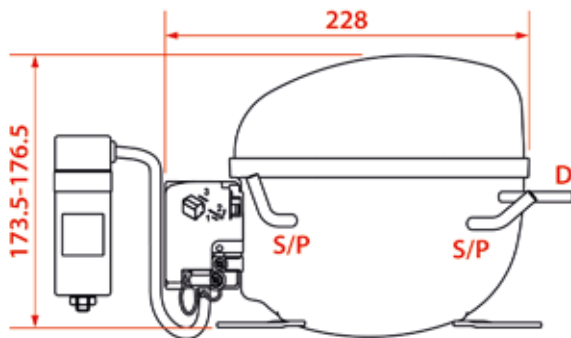
P



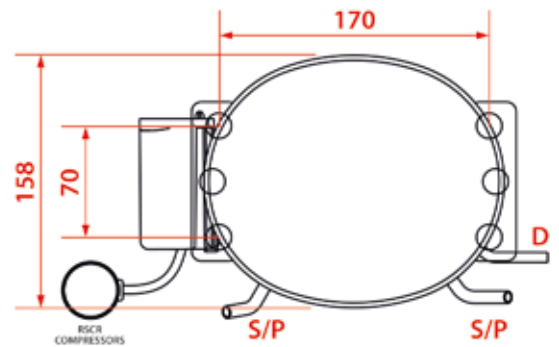
S=Suction 8.1
D=Discharge 6.5
P=Process 8.1



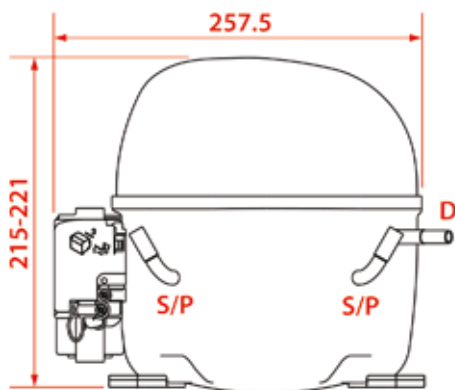
U



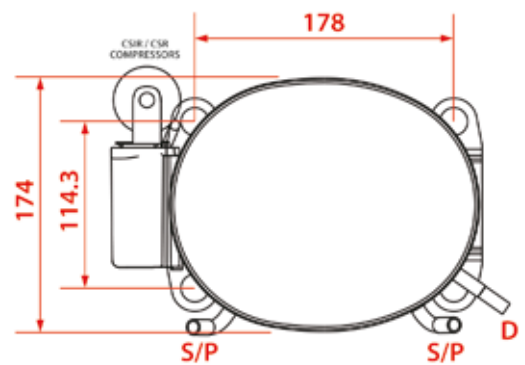
S=Suction
D=Discharge
P=Process



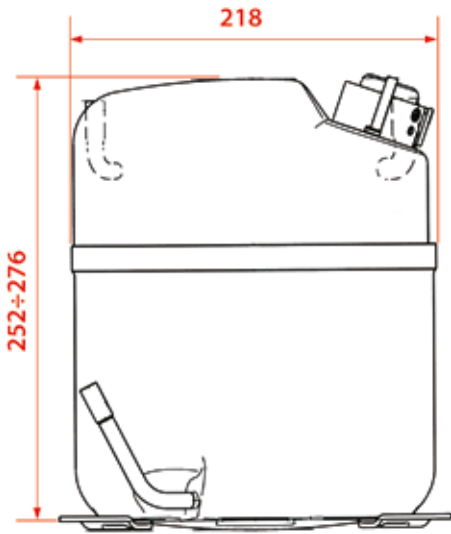
X



S=Suction 9.7
D=Discharge 6.5
P=Process 9.7

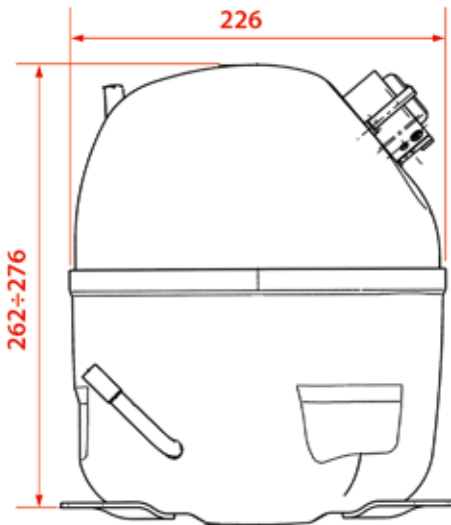
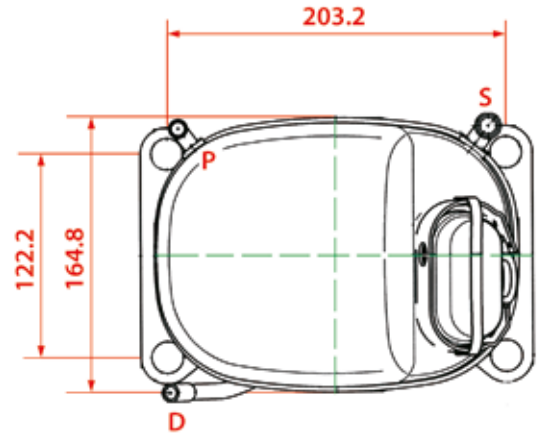


CUBIGEL COMPRESSORS



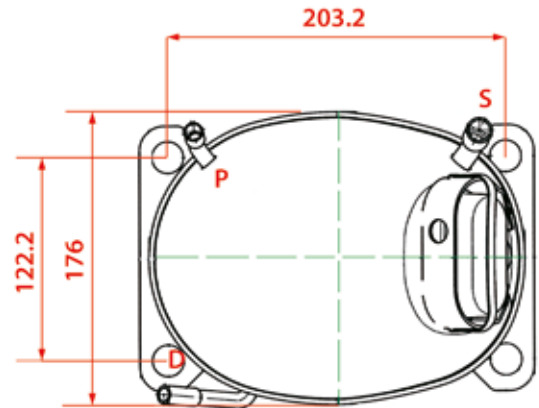
S

S=Suction 12.7
D=Discharge 8
P=Process 9.6

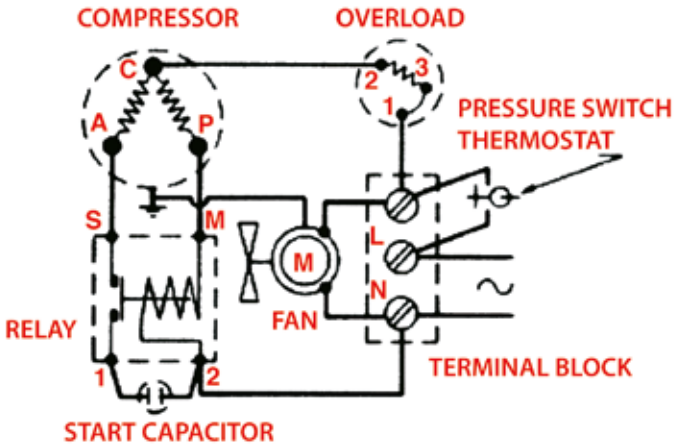


S

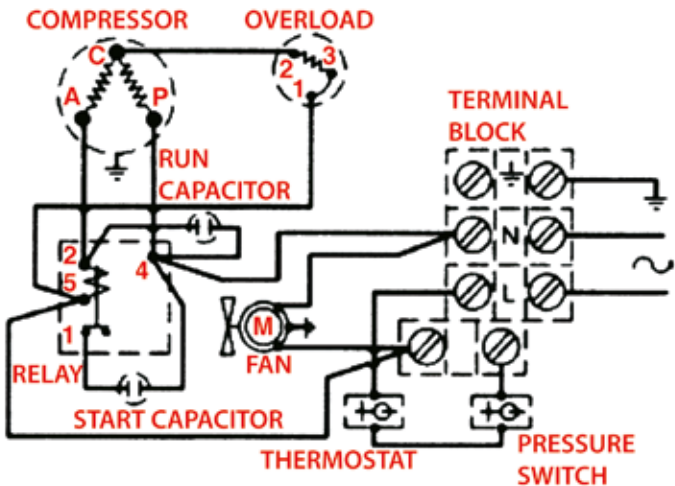
S=Suction 12.7
D=Discharge 8
P=Process 9.6



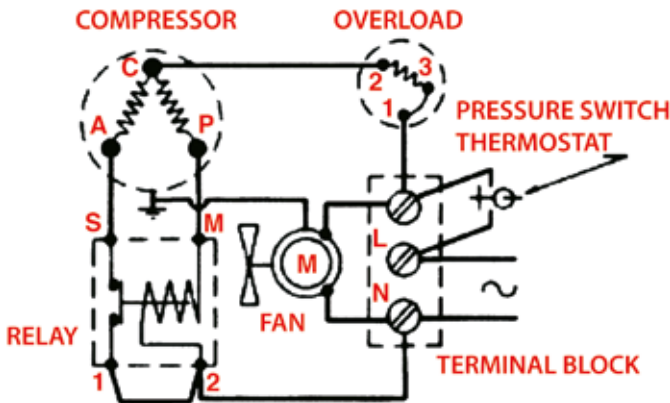
CSIR



CSR



RSIR



EMBRACO COMPRESSORS

EMBRACO COMPRESSORS R134a LBP

embraco



EM



NEK

R134a
LBP

LF Code	GEV code	Model	Motor power HP	Displac. cm ³	Electric diagram	LRA	Watt	Ampere	Refrigeration power Watt				Power supply Volt/Ph/Hz
									Evaporating temperature °C	-30	-25	-20	
3070290	LF3070290	EMIE30HER	1/12	2.83	RSIR		63	0.55	43	64	89	154	220-240V/1/50-60
3070375	605017	EMY3109Z	1/10	3.97	RSIR	4.0	75	0.55	63	87	117	196	220-240/1/50
3070295	LF3070295	EMIE40HJP	1/10	3.40	RSIR		83	0.69	65	97	131	193	220/1/50-60
3070372	605313	EMY3111Z	1/8	4.53	RSIR	5.0	91	0.64	90	123	165	237	220-240/1/50
3070190	605061	EMT49HLP	1/8	5.56	RSIR	4.8	114	0.8	98	131	170	274	220-240/1/50
3070376	605314	EMY3115Z	1/6	6.09	RSIR		111	0.9	130	173	224	359	220-240/1/50
3070342	LF3070342	EMIE65HER	1/6	5.19	RSIR		123	1.0	109	146	191	308	220-240/1/50
3070296	LF3070296	EMYE70HEP	1/5	5.96	RSCR		116	0.64	140	183	233	372	220-240/1/50-60
3070237	LF3070237	NEK2116Z	1/5	7.40	CSIR	10	134	0.6	121	166	221	357	220-240/1/50
3070231	LF3070231	NEK1118Z	1/4L	8.40	RSCR	6.9	156	0.7	144	195	256	417	220-240/1/50
3070185	605119	NE2121Z	1/4	9.27	CSIR	12.6	204	1.6	163	217	285	465	220-240/1/50
5063911	LF5063911	NE2130Z	1/3	12.11	CSIR	13.2	260	2.1	227	298	386	613	220-240/1/50
2101596	605265	NE2134Z	1/2	14.28	CSIR	17	291	2.3	234	313	410	662	220-240/1/50
7119817	LF7119817	NEK2140Z	1/2	16.80	CSIR	19			284	377	495	801	220-240/1/50

Condensation temperature +45°C - Test conditions CECOMAF EN12900

EMBRACO COMPRESSORS R134a MBP

embraco



EM



F/GAS

R134a
MLBP

LF Code	GEV code	Model	Motor power HP	Displac. cm ³	Electric diagram	Refrigeration power Watt				Power supply Volt/Ph/Hz	
						Evaporating temperature °C	-10	-5	0		+5
3070281	LF3070281	EM30HHR	1/10	3.0	RSIR		164	206	256	312	220-240/1/50
3070282	LF3070282	EM45HHR	1/8	3.8	RSIR		208	247	311	385	220-240/1/50
5029895	LF5029895	EM55HHR	1/6	4.6	RSIR		225	326	399	485	220-240/1/50
3070162	605016	EM65HHR	1/6	5.5	CSIR		304	405	475	567	220-240/1/50
3070285	LF3070285	EGAS90HLR	1/4	7.1	CSIR		424	530	655	780	220-240/1/50
5037602	LF5037602	EGAS100HLR	1/4	7.9	CSIR		483	603	750	895	220-240/1/50
3070286	LF3070286	FFI8.5HAK	1/4	7.2	CSIR		409	509	625	755	220-240/1/50
3070287	LF3070287	FFI10HAK	1/3	9.1	CSIR		510	635	780	940	220-240/1/50
3070288	605244	FFI12HBK	1/3	11.1	CSIR		623	777	949	1136	220-240/1/50

Condensation temperature +54.4°C - Test conditions ASHRAE

EMBRACO COMPRESSORS

EMBRACO COMPRESSORS R134a HMBP

embraco



EMT



NEK/NEU



NT



NJ

R134a
HMBP

LF Code	GEV code	Model	Motor power HP	Displac. cm ³	Electric diagram	LRA	Watt	Ampere	Refrigeration power Watt				Power supply Volt/Ph/Hz
									Evaporating temperature °C	-10	-5	0	
3070229	LF3070229	EMT37HDP	1/10	3.40	RSIR	4.3	137	0.8	150	189	237	298	220-240/1/50
3070107	605086	EMT45HDR	1/8	3.97	CSIR	5.0	170	1.1	153	194	241	294	220-240/1/50
3070158	605181	EMT50HDP	1/6	4.50	RSIR	6.4	190	1.2	203	257	319	390	220-240/1/50
3070218	605166	EMT6144Z	1/6	5.20	CSIR	8.5	222	1.4	250	313	388	474	220-240/1/50
3070219	605189	EMT6160Z	1/5	6.76	CSIR	9.8	300	1.7	322	403	495	600	220-240/1/50
3070172	605308	NEK6160Z	1/4L	7.28	CSIR	11.5	297	1.9	296	376	472	586	220-240/1/50
3070220	605135	EMT6170Z	1/4L	7.69	CSIR	10.4	356	2.0	358	448	550	663	220-240/1/50
3070173	605001	NEK6170Z	1/4	8.40	CSIR	12.4	347	2.1	360	453	562	689	220-240/1/50
3070298	LF3070298	EMTE6187Z	1/3	9.50	CSIR	16.5	373	2.3	485	592	732	906	220-240/1/50
3070174	605209	NEK6187Z	1/3	10.00	CSIR	16.1	410	2.6	402	511	642	793	220-240/1/50
3070175	605208	NEK6210Z	3/8	12.12	CSIR	16.1	497	2.8	480	619	773	942	220-240/1/50
3070326	605263	NEU6210Z	3/8	12.12	CSIR	18.5	381	2.2	531	663	825	1016	220-240/1/50
3070176	605210	NEK6212Z	1/2L	14.30	CSIR	19.5	602	3.5	562	708	881	1081	220-240/1/50
3070327	LF3070327	NEU6212Z	1/2L	14.30	CSIR	20.0	491	3.4	595	767	965	1188	220-240/1/50
3070177	605237	NEK6214Z	1/2	16.80	CSIR	21.2	775	4.7	640	814	1008	1215	220-240/1/50
3070328	LF3070328	NEU6214Z	1/2	16.80	CSIR	22.0	569	3.2	724	909	1124	1367	220-240/1/50
3070178	605079	NT6215Z	1/2	17.40	CSIR	21.0	638	3.9	661	829	1033	1282	220-240/1/50
3070179	LF3070179	NT6217Z	5/8	20.40	CSIR	25.0	773	4.7	791	991	1234	1521	220-240/1/50
3070180	LF3070180	NT6220Z	3/4	22.40	CSIR	28.0	862	5.2	852	1060	1303	1586	220-240/1/50
3070050	605254	NJ6220Z	3/4	26.20	CSIR	35.0	978	5.7	875	1147	1459	1826	220-240/1/50
3070053	LF3070053	NJ6220ZX	3/4	26.20	3 Ph	10.0	875	1.6	875	1147	1459	1826	380-440/3/50-60
3070052	605175	NJ6226Z	1	34.37	CSR	31.0	1232	6.0	1182	1531	1923	2371	220-240/1/50
3070054	LF3070054	NJ6226ZX	1	34.37	3 Ph	12.0	1190	2.3	1182	1531	1923	2371	380-440/3/50-60

Condensation temperature +55°C - Test conditions CECOMAF EN12900

EMBRACO COMPRESSORS

EMBRACO COMPRESSORS R404a-R507 LBP

embraco



EMT



NEK/NEU



NT



NJ

R404a R507
LBP

LF Code	GEV code	Model	Motor power HP	Displac. cm ³	Electric diagram	LRA	Watt	Ampere	Refrigeration power Watt				Power supply Volt/Ph/Hz	
									Evaporating temperature °C					
									-30	-25	-20	-15		
3070230	LF3070230	EMT2117GK	1/5	4.50	CSIR	7.7	167	1.1	164	210	265	330	220-240/1/50	
3070224	605213	EMT2121GK	1/4L	5.20	CSIR	8.5	201	1.3	204	258	322	398	220-240/1/50	
3070163	LF3070163	NEK2121GK	1/4L	5.45	CSIR	9.6	204	1.3	184	238	302	377	220-240/1/50	
3070225	605206	EMT2125GK	1/4	5.96	CSIR	9.8	230	1.5	238	301	373	462	220-240/1/50	
3070164	LF3070164	NEK2125GK	1/4	6.20	CSIR	12.4	279	2.0	213	278	354	439	220-240/1/50	
3070315	605264	EMT2130GK	3/8	6.76	CSIR	12.1	270	1.7	257	326	406	500	220-240/1/50	
3070165	605334	NEK2130GK	1/3	7.40	CSIR	16.0	264	2.1	254	332	422	524	220-240/1/50	
3070166	605152	NEK2134GK	1/3	8.78	CSIR	16.1	328	2.3	302	394	501	611	220-240/1/50	
3070325	605256	NEU2140GK	1/2L	8.78	CSIR	13.5	324	1.9	326	421	532	658	220-240/1/50	
3070120	605186	NEK2150GK	1/2	12.12	CSIR	19.5	464	3.2	408	522	657	814	220-240/1/50	
3070324	LF3070324	NEU2155GK	1/2	12.12	CSIR	18.0	453	2.9	432	557	705	875	220-240/1/50	
3070167	605144	NEK2168GK	3/4	14.30	CSR	18.5	520	2.6	466	605	767	955	220-240/1/50	
3070299	LF3070299	NEU2168GK	3/4	14.30	CSIR	22.0	519	3.1	496	642	810	1000	220-240/1/50	
3070168	605304	NT2168GK	3/4	14.50	CSR	25.0	449	2.3	423	549	698	875	220-240/1/50	
3070300	605164	NEU2178GK	3/4	16.80	CSR	21.0	584	2.7	586	753	947	1168	220-240/1/50	
3070169	LF3070169	NT2178GK	3/4	17.40	CSR	25.0	578	3.7	513	671	854	1062	220-240/1/50	
3070170	605078	NT2180GK	1	20.40	CSR	35.0	664	3.1	625	814	1034	1286	220-240/1/50	
3070171	605260	NT2192GK	1.1	22.40	CSR	35.0	708	3.5	672	869	1100	1366	220-240/1/50	
3070123	605174	NJ2192GJ	1.2	26.00	CSR	26.0	808	3.7	705	936	1203	1505	220-240/1/50	
3070257	LF3070257	NJ2192GK Gemini with oil equalization	1.2	26.00	CSR	26.0	808	3.7	705	936	1203	1505	220-240/1/50	
3070226	605235	NT2212GK	1.3	27.80	CSR	33.0	900	4.6	804	1052	1340	1670	220-240/1/50	
3070045	605081	NJ2212GK	1.7	34.37	CSR	36.0	1070	5.4	961	1276	1637	2041	220-240/1/50	
3070258	LF3070258	NJ2212GK Gemini with oil equalization	1.7	34.37	CSR	36.0	1070	5.4	961	1276	1637	2041	220-240/1/50	
3070047	LF3070047	NJ2212GS	1.7	34.37	3 Ph	13.0	1120	1.9	961	1276	1637	2041	380-440/3/50-60	

Condensation temperature +45°C - Test conditions CECOMAF EN12900

EMBRACO COMPRESSORS

EMBRACO COMPRESSORS R404a-R507 HMBP

embraco



EMT



NEK/NEU



NT



NJ

R404a R507
HMBP

LF Code	GEV code	Model	Motor power HP	Displac. cm ³	Electric diagram	LRA	Watt	Ampere	Refrigeration power Watt				Power supply Volt/Ph/Hz	
									Evaporating temperature °C					
									-10	-5	0	+5		
3070215	605130	EMT6144GK	1/5	3.97	CSIR	7.7	284	1.6	303	370	448	535	220-240/1/50	
3070216	605004	EMT6152GK	1/4L	4.50	CSIR	8.5	327	1.8	339	413	497	593	220-240/1/50	
3070181	605149	NEK6144GK	1/4L	4.52	CSIR	9.6	313	1.8	314	384	465	559	220-240/1/50	
3070217	605139	EMT6165GK	1/4	5.20	CSIR	10.4	394	2.2	384	471	570	682	220-240/1/50	
3070182	605309	NEK6165GK	1/4	6.20	CSIR	12.4	471	2.5	443	533	639	759	220-240/1/50	
3070183	605162	NEK6181GK	1/3	7.28	CSIR	12.0	515	3.0	483	587	711	853	220-240/1/50	
3070184	605161	NEK6210GK	3/8	8.78	CSIR	10.1	628	3.5	571	698	849	1021	220-240/1/50	
3070331	LF3070331	NEU6212GK	3/8	8.78	CSIR	19.0	533	3.4	643	788	952	1134	220-240/1/50	
3070040	605125	NEK6213GK	1/2	12.12	CSIR	20.0	982	5.5	788	958	1150	1366	220-240/1/50	
3070330	LF3070330	NEU6215GK	1/2	12.12	CSR	22.0	692	3.3	904	1098	1318	1566	220-240/1/50	
3070191	LF3070191	NT6217GK	1/2	12.60	CSR	25.0	813	4.9	732	914	1122	1357	220-240/1/50	
3070186	605178	NEK6217GK	5/8	14.30	CSR	21.5	1010	4.9	955	1157	1386	1638	220-240/1/50	
3070187	605227	NT6220GK	5/8	14.50	CSR	29.5	930	4.1	861	1067	1305	1574	220-240/1/50	
3070188	605132	NT6222GK	3/4	17.40	CSR	37.0	1105	5.8	1040	1294	1583	1903	220-240/1/50	
3070274	LF3070274	NT6224GK	1	20.44	CSR	29.0	1271	6.0	1244	1540	1879	2258	220-240/1/50	
3070189	605165	NT6226GK	1.1	22.40	CSR	38.0	1376	6.6	1412	1724	2091	2518	220-240/1/50	
3070010	605030	NJ9226GK	1.1	21.70	CSR	27.5	1325	5.8	1255	1581	1944	2340	230/1/50	
3070020	LF3070020	NJ9226GS	1.1	21.70	3 Ph	10.0	1118	2.4	1255	1581	1944	2340	380-440/3/50-60	
3070018	605190	NJ9232GK	1.2	26.20	CSR	33.7	1673	7.2	1414	1817	2271	2771	230/1/50	
3070027	S0208393	NJ9232GS	1.2	26.20	3 Ph	13.0	1615	2.9	1414	1817	2271	2771	380-440/3/50-60	
3070019	605177	NJ9238GK	1.5	32.70	CSR	43.0	2109	9.6	1895	2323	2804	3347	230/1/50	
3070028	LF3070028	NJ9238GS	1.5	32.70	3 Ph	22.0	2000	4.0	1895	2323	2804	3347	380-440/3/50-60	

Condensation temperature +55°C - Test conditions CECOMAF EN12900

EMBRACO COMPRESSORS

EMBRACO COMPRESSORS R290 LBP

embraco



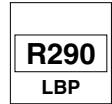
EMT



NEK/NEU



NT



LF Code	GEV code	Model	Motor power HP	Displac. cm ³	Electric diagram	LRA	Watt	Ampere	Refrigeration power Watt				Power supply Volt/Ph/Hz	
									Evaporating temperature °C					
									-30	-25	-20	-15		
3070270	LF3070270	EMT2117U	1/5	4.50	CSIR	7.7	137	1.0	145	184	230	283	220-240/1/50	
5130990	605344	EM2X1121U	1/4	5.54	RSCR								220-240/1/50	
3070260	605215	EMT2121U	1/4	5.57	CSIR	7.7	166	1.1	188	238	297	364	220-240/1/50	
3070395	605354	EM2X1125U	1/3	6.09	RSCR		162	0.85					220-240/1/50	
3070267	LF3070267	EMT2125U	1/3	5.96	CSIR	9.8	186	1.4	209	265	330	403	220-240/1/50	
3070261	605346	EMT2130U	1/3	6.76	CSIR	12.4	218	1.6	233	295	367	450	220-240/1/50	
3070268	605274	NEK2134U	1/2	10.00	CSIR	13.1	301	1.9	315	395	494	611	220-240/1/50	
3070259	605214	NEK2150U	1/2	13.54	CSIR	19.5	406	2.9	403	515	650	804	220-240/1/50	
3070332	605243	NEU2155U	5/8	13.54	CSR	17.5	393	2.0	452	573	715	878	220-240/1/50	
3070269	605204	NEK2160U	5/8	16.80	CSR	21.0	457	2.4	508	646	808	995	220-240/1/50	
3070301	LF3070301	NEU2168U	5/8	16.80	CSR	21.0	463	2.2	540	689	866	1068	220-240/1/50	
3070271	605202	NT2170U	3/4	20.44	CSR	25.0	533	2.7	583	753	951	1176	220-240/1/50	
3070272	605199	NT2180U	1	22.40	CSR	35.0	590	3.1	659	844	1062	1312	220-240/1/50	
3070311	605203	NT2210U	1 1/4	27.80	CSR	33.0	776	4.1	813	1041	1310	1620	220-240/1/50	

Condensation temperature +45°C - Test conditions CECOMAF EN12900

EMBRACO COMPRESSOR R290 LBP VARIABLE SPEED

embraco



VNEU



LF Code	GEV code	Model	Displac. cm ³	Motor type	Speed rpm	Watt	Ampere	Refrigeration power Watt				Power supply Volt/Ph/Hz		
								Evaporating temperature °C						
									-30	-25	-20	-15		
3070391	605351	VNEU213U	13.54	permanent magnet	2000	204	0.96	331	424	531	654	100-240V 33-75Hz		
					2400	235	1.09	367	469	590	730	100-240V 33-75Hz		
					3000	300	1.39	453	581	732	906	100-240V 33-75Hz		
					3600	365	1.69	546	702	883	1092	100-240V 33-75Hz		
					4500	472	2.17	687	875	1088	1328	100-240V 33-75Hz		

Condensation temperature +45°C - Test conditions CECOMAF EN12900

EMBRACO COMPRESSORS

EMBRACO COMPRESSORS R290 HMBP

embraco



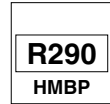
EMT



NEK/NEU



NT



LF Code	GEV code	Model	Motor power HP	Displac. cm ³	Electric diagram	LRA	Watt	Ampere	Refrigeration power Watt				Power supply Volt/Ph/Hz	
									Evaporating temperature °C					
									-10	-5	0	+5		
3070262	605200	EMT6144U	1/5	4.50	CSIR	7.7	181	1.1	293	354	423	508	220-240/1/50	
3070263	605201	EMT6152U	1/4	5.20	CSIR	8.5	205	1.3	362	432	514	612	220-240/1/50	
3070264	605198	EMT6165U	1/4	5.96	CSIR	10.4	261	1.8	415	495	590	700	220-240/1/50	
3070265	LF3070265	NEK6181U	1/3	7.28	CSIR	12	309	2.2	447	548	664	793	220-240/1/50	
3070273	LF3070273	NEK6210U	3/8	8.78	CSIR	16.1	362	2.4	549	670	811	969	220-240/1/50	
3070310	LF3070310	NEU6210U	3/8	8.78	CSIR	20.0	365	2.7	583	713	860	1025	220-240/1/50	
3070333	LF3070333	NEU6212U	1/2	10.00	CSIR	20.5	439	3.2	667	819	995	1195	220-240/1/50	
3070266	605305	NEK6213U	1/2	12.12	CSIR	19.3	541	3.7	763	927	1112	1317	220-240/1/50	
3070302	LF3070302	NEU6214U	1/2	12.12	CSR	18.0	474	2.5	807	981	1179	1401	220-240/1/50	
3070303	LF3070303	NEU6217U	5/8	14.30	CSR	21.0	549	2.5	956	1161	1393	1653	220-240/1/50	
3070304	LF3070304	NT6220U	3/4	17.40	CSR	30.0	668	3.8	976	1215	1492	1806	220-240/1/50	
3070305	605331	NT6222U	1	20.40	CSR	30.0	779	4.2	1177	1471	1803	2174	220-240/1/50	
3070306	LF3070306	NT6224U	1	22.40	CSR	26.0	803	3.7	1274	1583	1938	2336	220-240/1/50	
3070307	LF3070307	NT6230U	1.25	27.80	CSR	39.0	1072	5.2	1623	1998	2437	2850	220-240/1/50	

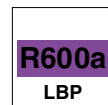
Condensation temperature +55°C - Test conditions CECOMAF EN12900

EMBRACO COMPRESSORS R600a LBP

embraco



EM



LF Code	GEV code	Model	Motor power HP	Displac. cm ³	Electric diagram	LRA	Watt	Ampere	Refrigeration power Watt				Power supply Volt/Ph/Hz	
									Evaporating temperature °C					
									-30	-25	-20	-15		
3070377	LF3070377	EMX26CLC	1/12	5.19	RSCR	2.4	49	0.23	42	61	81	105	220-240/1/50	
3070378	605315	EMX32CLC	1/10	5.96	RSCR	-	51	0.26	49	69	92	119	220-240/1/50	
3070203	LF3070203	EMT40CLP	1/10	7.23	RSCR	-	95	0.64	66	90	116	148	220-240/1/50	
3070379	605316	EMC40CLT	1/8	7.23	RSCR	-	62	0.29	64	87	116	151	220-240/1/50	
3070373	605257	EMD46CLT	1/8	7.96	RSCR	-	70	0.35	72	98	130	168	220-240/1/50	
3070380	605317	EMC46CLT	1/7	7.96	RSCR	-	81	0.39	73	98	130	167	220-240/1/50	
3070381	605247	EMX55CLC	1/6	9.04	RSCR	-	87	0.41	106	143	187	239	220-240/1/50	
3070291	LF3070291	EMT56CLP	1/5	9.34	RSCR	-	115	0.84	90	115	156	197	220-240/1/50	
3070238	LF3070238	EMYE70CLP	1/4L	11.14	RSCR	6	110	0.55	103	142	184	233	220-240/1/50	
3070255	LF3070255	EMX80CLT	1/4	12.21	RSCR	7.8	116	0.57	118	158	207	265	220-240/1/50	

Condensation temperature +55°C - Test conditions CECOMAF EN12900

EMBRACO COMPRESSORS

EMBRACO COMPRESSORS R600a HMBP

embraco



EMT



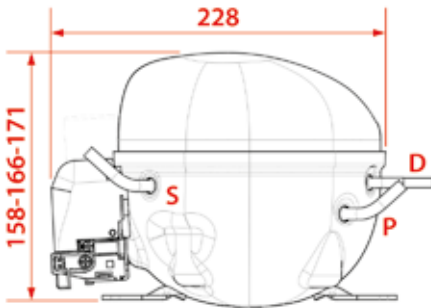
NEK



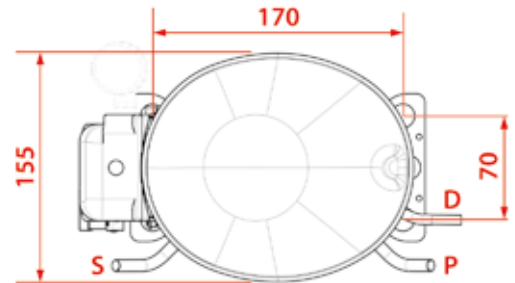
LF Code	GEV code	Model	Motor power HP	Displac. cm ³	Electric diagram	LRA	Watt	Ampere	Refrigeration power Watt				Power supply Volt/Ph/Hz
									Evaporating temperature °C	-10	-5	0	
3070384	605083	EMT30CDP	1/12	4.50	RSIR	3.7	83	0.6	119	150	185	226	220-240/1/50
5092364	605085	EMT45CDP	1/8	6.78	RSIR	5.8	115	0.8	172	226	276	338	220-240/1/50
3070359	LF3070359	EMT6144Y	1/5	9.04	CSIR	7.7	175	1.1	250	310	377	455	220-240/1/50
3070343	605333	EMT6160Y	1/4	11.14	CSIR	9.8	212	1.4	303	375	458	552	220-240/1/50
5087248	605248	NEK6160Y	1/4	12.11	CSIR	12.4			294	372	464	567	220-240/1/50
3070360	LF3070360	NEK6170Y	1/4	14.28	CSIR	12.4			358	449	554	674	220-240/1/50

Condensation temperature +55°C - Test conditions CECOMAF EN12900

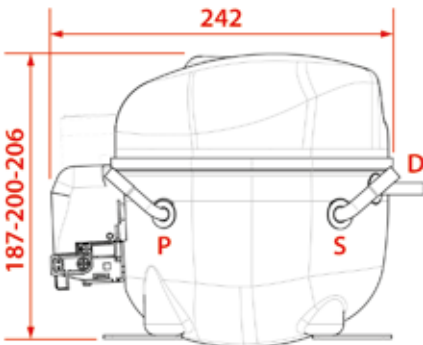
EM



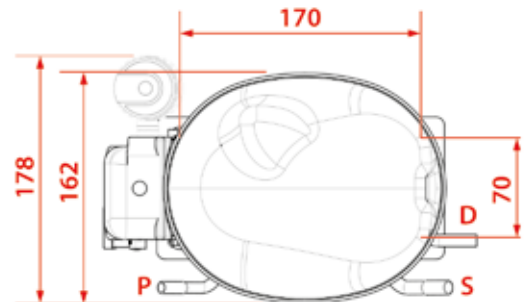
S=Suction 6
D=Discharge 5
P=Process 6



NE

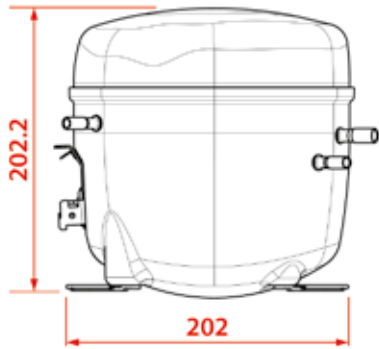


S=Suction 6.2-8.2
D=Discharge 5-6.2
P=Process 6.2

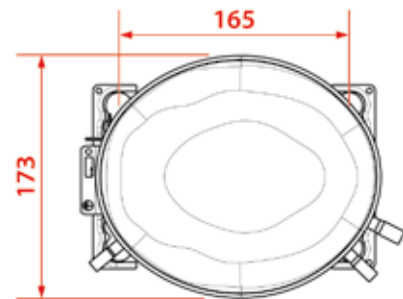


EMBRACO COMPRESSORS

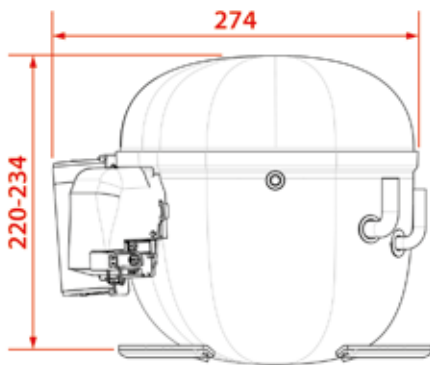
FF



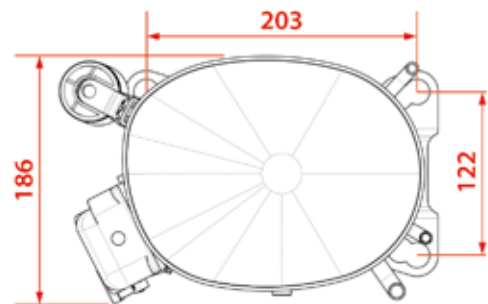
S=Suction 8.2
D=Discharge 6.5
P=Process 6.5



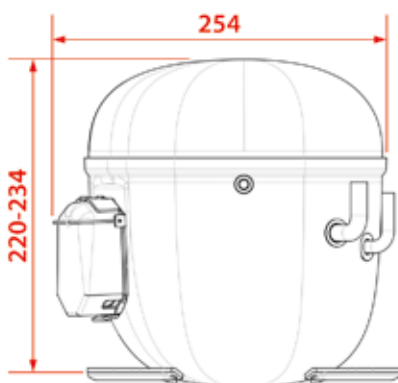
NT



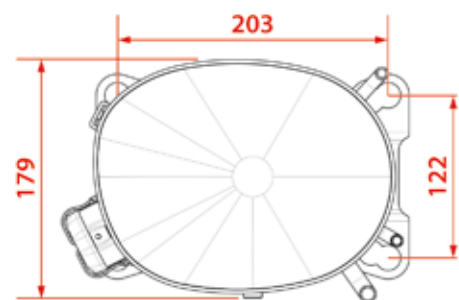
S=Suction 9.6
D=Discharge 9.6
P=Process 6.5



NT

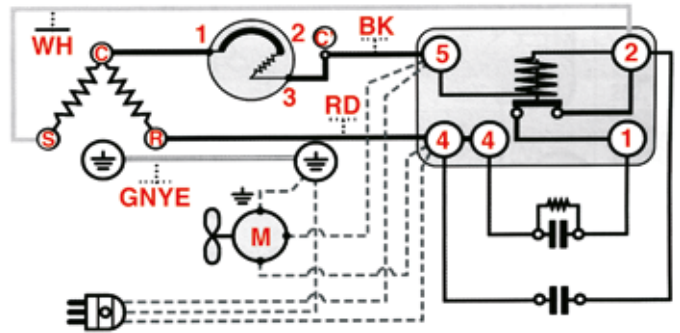
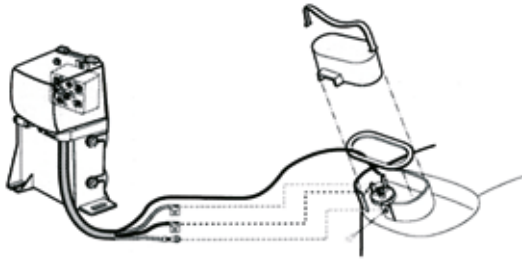


S=Suction 9.6
D=Discharge 9.6
P=Process 6.5

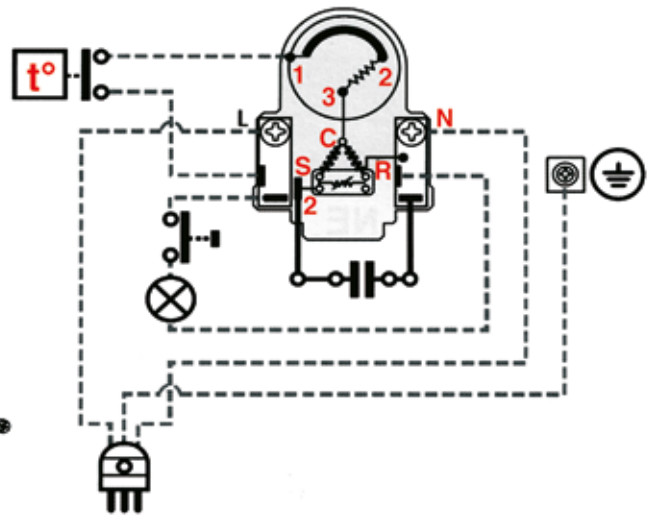
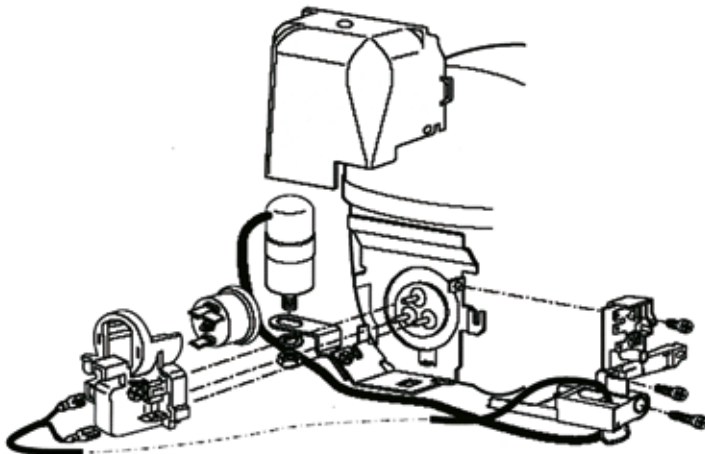


CSR BOX

Internal protecting device

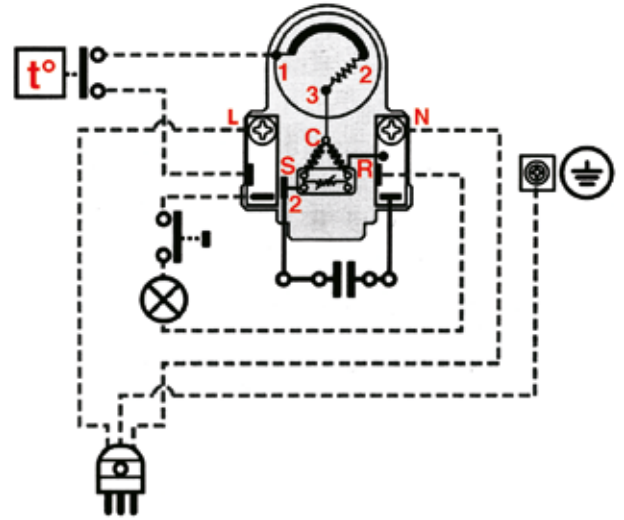
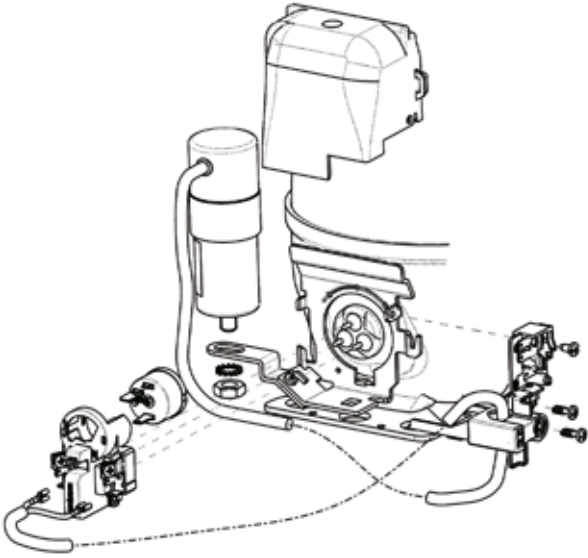


RSIR

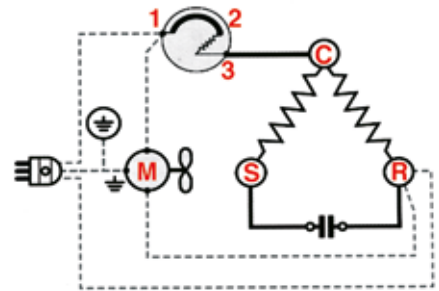
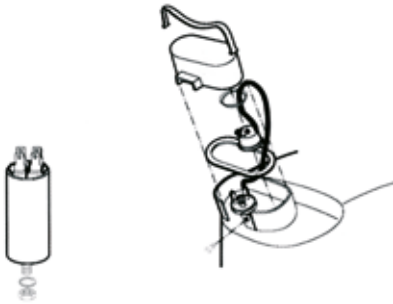


EMBRACO COMPRESSORS

RSCR PTC



PSC



SECOPI COMPRESSORS

SECOPI COMPRESSORS R134a HMBP

SECOPI



TL/FR



NL



SC



GS

R134a
HMBP

LF Code	GEV code	Model	Motor power HP	Displac. cm ³	Electric diagram	LRA	Watt	Ampere	Refrigeration power Watt				Power supply Volt/Ph/Hz
									Evaporating temperature °C	-10	-5	0	
3070078	605123	TL4G	1/8	3.86	CSIR	5.1	130	0.95	140	180	226	280	220-240/1/50-60
3070077	605052	TL5G	1/6	5.10	CSIR	5.7	167	1.15	178	224	278	341	220-240/1/50-60
3070227	605059	NL6.1MF	1/5L	6.13	CSIR	8.0	206	1.5	245	312	390	482	220-240/1/50-60
3070256	605055	FR6G	1/5L	6.23	CSIR	7.5	194	1.15	226	290	365	452	220-240/1/50-60
3070079	605088	FR7.5G	1/5	6.93	CSIR	8.1	220	1.3	254	325	408	505	220-240/1/50-60
3070221	605063	NL7.3MF	1/5	7.27	CSIR	8.8	250	1.74	304	385	480	591	220-240/1/50-60
3070039	605091	FR8.5G	1/4L	7.95	CSIR	8.2	261	1.55	298	381	478	592	220-240/1/50-60
3070207	605089	NL8.4MF	1/4	8.35	CSIR	10.8	290	2	353	445	553	679	220-240/1/50-60
3070070	605054	FR10G	1/4	9.05	CSIR	10	296	1.94	324	412	516	638	220-240/1/50-60
3070154	605205	FR11G	1/3L	11.15	CSIR	10	357	2.1	395	501	628	780	220-240/1/50
3070208	605060	NL10MF	1/3L	10.10	CSIR	13.1	360	2.4	441	554	687	843	220-240/1/50-60
3070071	605221	SC10G	1/3L	10.29	CSIR	11.1	322	1.85	369	486	618	764	220-240/1/50-60
3070239	605193	NL11MF	1/3	11.15	CSIR	13.1	404	2.5	485	609	756	927	220-240/1/50
3070067	605087	SC12G	1/3	12.87	CSIR	12.6	400	2.4	464	603	768	960	220-240/1/50-60
3070068	605077	SC15G	3/8	15.28	CSIR	14.8	497	3	568	728	908	1110	220-240/1/50-60
3070345	LF3070345	SC15MFX	3/8	15.28	CSIR	14.8	489	3	604	759	961	1196	220-240/1/50
3070069	605076	SC18G	1/2	17.69	CSIR	18.6	568	3.25	684	870	1087	1337	220-240/1/50-60
3070349	LF3070349	SC18MFX	1/2	17.69	CSIR	18.6	585	3.64	709	894	1113	1370	220-240/1/50-60
3070155	605194	SC21G	5/8	20.95	CSR	21.8	643	3.25	792	1012	1268	1560	220-240/1/50-60
7112530	LF7112530	SC21MFX	5/8	20.95	CSIR	23.6	680	4.43	840	1052	1303	1596	220-240/1/50
3070358	LF3070358	GS26MFX	3/4	26.30	CSR	20.2	776	3.5	1266	1591	1970	2411	220-240/1/50
5064841	LF5064841	GS34MFX	1	33.80	CSR	25.7	1008	5.0	1648	2063	2550	3115	220-240/1/50

Condensation temperature +55°C - Test conditions CECOMAF EN12900

SE COP COMPRESSORS

SE COP COMPRESSORS R404a-R507 LBP

SE COP



TL/FR



NL



SC



GS

R404a R507
LBP

LF Code	GEV code	Model	Motor power HP	Displac. cm ³	Electric diagram	LRA	Watt	Ampere	Refrigeration power Watt				Power supply Volt/Ph/Hz
									Evaporating temperature °C	-30	-25	-20	
3070350	LF3070350	TL4CL	1/6L	3.86	CSIR	5.7	147	1.1	110	142	182	286	220-240/1/50
3070289	S6000884	TL4.5CLX	1/6	4.63	CSIR	7.5	188	1.4	139	181	232	366	220-240/1/50
3070214	LF3070214	FR6CL	1/5	6.23	CSIR	8.2	253	1.5	189	243	307	473	220-240/1/50
3070280	LF3070280	FR7.5CL	1/4L	6.93	CSIR	9.1	280	1.8	202	262	333	515	220-240/1/50
3070348	LF3070348	NL7CLX	1/4L	7.27	CSIR	10.4	284	1.7	263	340	430	657	220-240/1/50
3070082	605080	FR8.5CL	1/4	7.95	CSIR	11.5	331	2.0	222	290	372	577	220-240/1/50
3070344	LF3070344	NL8.4CLX	1/4	8.35	CSIR	12.1	317	2.2	287	370	468	715	220-240/1/50
3070159	LF3070159	SC10CL	1/3	10.29	CSIR	12.6	370	2.3	258	365	489	800	220-240/1/50
3070297	605179	SC10CLX	1/3	10.29	CSIR	14.8	369	2.4	255	360	483	789	220-240/1/50
3070073	605057	SC12CL	3/8	12.87	CSIR	14.8	468	2.9	353	490	650	1048	220-240/1/50
3070292	605311	SC12CLX.2	3/8	12.87	CSIR	19.6	495	3.3	399	522	666	1026	220-240/1/50
3070074	605058	SC15CL	1/2	15.28	CSIR	18.6	584	3.6	452	615	792	1208	220-240/1/50
3070293	605330	SC15CLX.2	1/2	15.28	CSIR	19.6	588	3.8	486	637	813	1251	220-240/1/50
3070075	605303	SC18CL	5/8	17.69	CSR	20.0	643	3.7	542	715	918	1425	220-240/1/50
3070294	605056	SC18CLX.2	5/8	17.68	CSIR	23.5	708	4.4	595	780	995	1532	220-240/1/50
3070076	605082	SC21CL	7/8	20.95	CSR	23.4	733	3.9	617	813	1042	1606	220-240/1/50
3070356	LF3070356	GS26CLX	1.2	26.30	CSR	25.7	927	4.0	949	1240	1580	2427	220-240/1/50
3070362	LF3070362	GS34CLX	1.7	33.80	CSR	40.0	1245	6.3	1330	1715	2165	3289	220-240/1/50

Condensation temperature +45°C - Test conditions CECOMAF EN12900

SECOPI COMPRESSORS

SECOPI COMPRESSORS R404a-R507 HMBP

SECOPI



TL



NL



SC



GS

R404a R507
HMBP

LF Code	GEV code	Model	Motor power HP	Displac. cm ³	Electric diagram	LRA	Watt	Ampere	Refrigeration power Watt				Power supply Volt/Ph/Hz
									Evaporating temperature °C	-10	-5	0	
5078884	LF5078884	TL4DL	1/6	3.86	CSIR	7.5	221	1.4	281	349	432	527	220-240/1/50
3070347	LF3070347	NL6.1MLX	1/5	6.13	CSIR	16.6	335	2.4	530	650	789	946	220-240/1/50
5076895	LF5076895	FR6DL	1/4	6.23	CSIR	10	388	2.2	471	576	698	840	220-240/1/50
3070361	S0045868	NF7MLX	1/4P	7.27	CSIR	20	435	3.2	635	777	940	1125	220-240/1/50 208-230/1/60
3070353	S7002045	SC10MLX	1/3	10.29	CSIR	18.4	556	3.8	855	1051	1278	1537	220-240/1/50 208-230/1/60
3070352	605336	SC12MLX	1/2	12.87	CSIR	23.4	667	4.3	1038	1272	1542	1852	220-240/1/50 208-230/1/60
3070346	605146	SC15MLX	5/8	15.28	CSIR	23.5	845	5.0	1285	1574	1909	2293	220-240/1/50
3070355	LF3070355	SC18MLX	3/4	17.68	CSR	23.6	931	4.7	1497	1832	2220	2665	220-240/1/50
3070351	605113	SC18MLX.3	3/4	17.68	CSR	23.6	952	4.6	1557	1898	2292	2743	220-240/1/50
3070354	LF3070354	GS21MLX	1	21.20	CSR	24.4	1046	4.95	1748	2164	2650	3211	220-240/1/50
2106262	LF2106262	GS26MLX	1.2	26.30	CSR	34.6	1299	6.6	2365	2854	3401	3990	220-240/1/50
3070357	LF3070357	GS34MLX	1.5	33.80	CSR	45.7	1885	9.95	2953	3575	4283	5088	220-240/1/50

Condensation temperature +55°C - Test conditions CECOMAF EN12900

SECOPI COMPRESSORS R290 LBP

SECOPI



TL



NL



SC



R290
LBP

LF Code	GEV code	Model	Motor power HP	Displac. cm ³	Electric diagram	LRA	Watt	Ampere	Refrigeration power Watt					Power supply Volt/Ph/Hz
									Evaporating temperature °C	-30	-25	-20	-15	
3070334	605259	TL5CN	1/5	5.08	CSIR	5.7	167	1.2	143	183	230	283	338	220-240/1/50
3070335	LF3070335	NL7CN	1/3	7.27	CSIR	10.4	229	1.6	223	290	368	458	539	220-240/1/50
3070336	LF3070336	NL9CN	3/8	8.35	CSIR	10.4	259	1.7	259	335	423	526	643	220-240/1/50
3070389	605349	NLE11CNL	1/2	11.15	CSIR	13.8	347	2.15	359	456	570	700	937	220-240/1/50
3070393	605352	NLE12.6CNL	1/2	12.55	CSIR	12.5	371	2.17	420	524	647	792	1040	220-240/1/50
3070339	605261	SC12CNX.2	1/2	12.87	CSIR	13.1	393	2.4	346	453	578	725	895	220-240/1/50
3070329	LF3070329	SC15CNX.2	5/8	15.28	CSIR	14.8	462	2.9	434	560	714	900	1177	220-240/1/50
3070308	LF3070308	SC18CNX.2	3/4	17.69	CSIR	19.5	559	3.6	531	689	863	1057	1284	220-240/1/50
3070338	605267	SC21CNX.2	1	20.95	CSIR	23.5	647	4.0	654	828	1020	1233	1481	220-240/1/50

Condensation temperature +45°C - Test conditions CECOMAF EN12900

SECOPI COMPRESSORS

SECOPI COMPRESSOR R290 LBP VARIABLE SPEED

SECOPI



SLV



R290
LBP

LF Code	GEV code	Model	Displac. cm ³	Motor type	Speed rpm	Watt	Ampere	Refrigeration power Watt				Power supply Volt/Ph/Hz	
								Evaporating temperature °C					
								-30	-25	-20	-15		
3070277	605216	SLV15CNK.2	15.28	permanent magnet	2000	315	1.6	311	402	510	638	220-240/1/50-60	
					2500	385	1.9	393	509	645	805	220-240/1/50-60	
					3000	458	2.1	467	602	759	941	220-240/1/50-60	
					4000	607	2.8	615	792	996	1228	220-240/1/50-60	
3445445	LF3445445	105N4627		controller inverter									

Condensation temperature +45°C - Test conditions CECOMAF EN12900

SECOPI COMPRESSORS R290 MLBP

SECOPI



DLE



NLE



R290
MLBP

LF Code	GEV code	Model	Motor power HP	Displac. cm ³	Electric diagram	LRA	Watt	Ampere	Refrigeration power Watt					Power supply Volt/Ph/Hz	
									Evaporating temperature °C						
									-30	-25	-20	-15	-10		
3070390	605350	DLE4CN	1/6	4.00	CSIR	5.4	94	0.75	128	164	207	255	309	220-240/1/50	
3070385	605268	DLE4.8CN	1/5	4.80	CSIR	6.5	150	1.0	150	196	247	304	369	220-240/1/50	
3070386	605347	DLE5.7CN	1/4	5.70	CSIR	8.8	190	1.24	203	253	309	376	454	220-240/1/50	
3070387	605269	DLE6.5CN	1/4	6.50	CSIR	9.3	194	1.2	211	266	330	405	493	220-240/1/50	
3070394	605353	DLE7.5CN	1/3	7.48	CSIR	9.3	243	1.54	261	315	390	479	583	220-240/1/50	
3070388	605348	NLE8.8CN	3/8	8.76	CSIR	11.3	275	1.73	304	376	462	564	683	220-240/1/50	
5128371	605359	NLE10CN	3/8	10.09	CSIR	12.0	328	2.1	343	431	571	661	804	220-240/1/50	

Condensation temperature +45°C - Test conditions CECOMAF EN12900

SECOP COMPRESSORS

SECOP COMPRESSORS R290 MLBP VARIABLE SPEED

SECOP



R290
MLBP

LF Code	GEV code	Model	Displac. cm ³	Motor type	Speed rpm	Watt	Ampere	Refrigeration power Watt Evaporating temperature °C -25 -10	Power supply Volt/Ph/Hz
3070408	605368	NLV12.6CN	12.55	permanent magnet	2000	250	1.2	372 686	220-240/1/50-60
					2500	310	1.5	470 870	220-240/1/50-60
					3000	371	1.8	561 1033	220-240/1/50-60
					3500	436	2.1	650 1208	220-240/1/50-60
					4000	500	2.3	736 1383	220-240/1/50-60
					4500	565	2.6	827 1558	220-240/1/50-60
3070409	501670	105N4710		controller inverter					

Test conditions +45°C

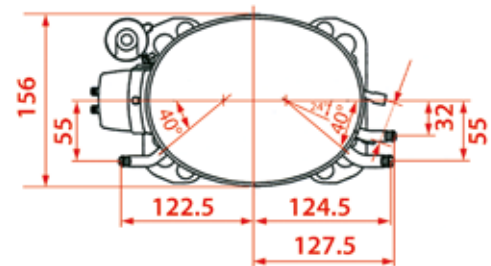
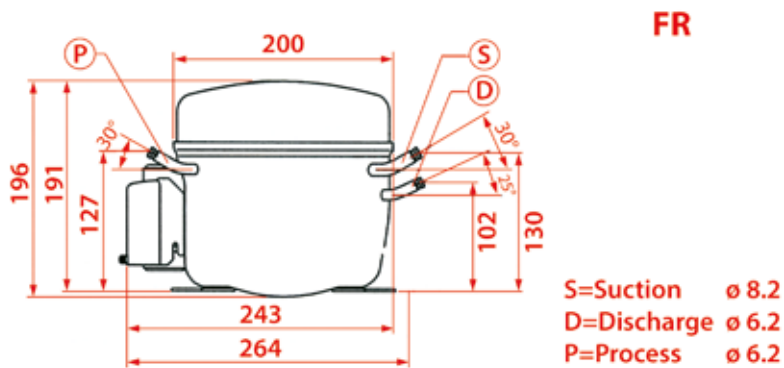
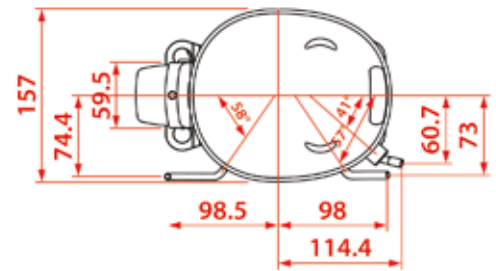
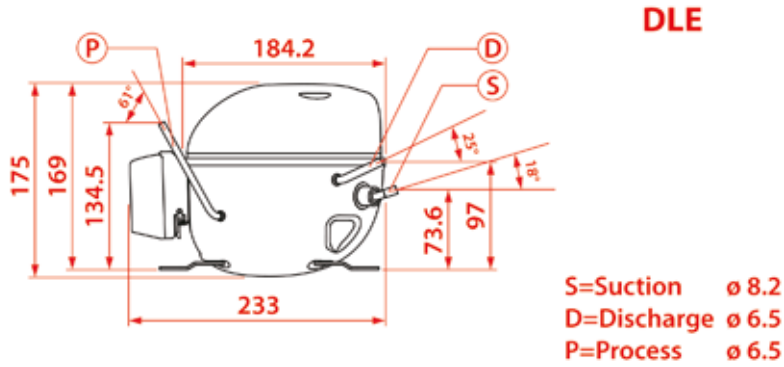
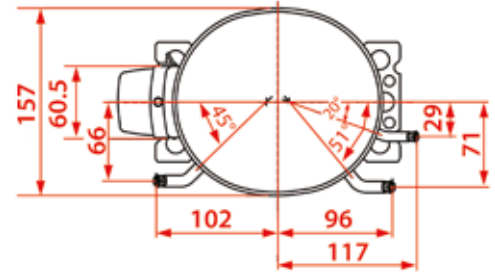
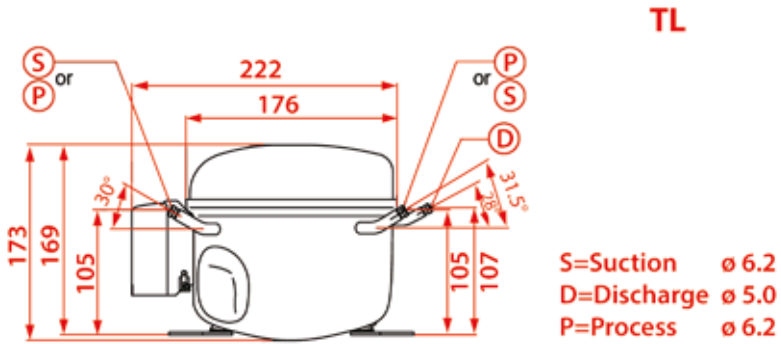
SPARE PARTS FOR SECOP COMPRESSORS

SECOP



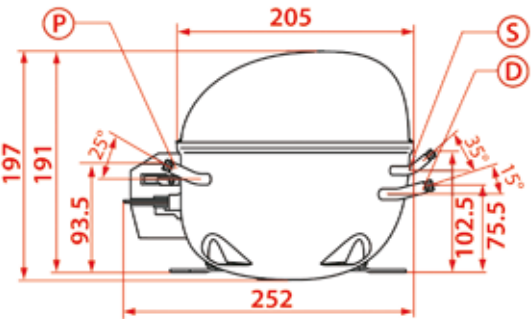
LF Code	GEV code	Secop Code	Description
5068595	381087	103N0021	PTC starting device
5032701	LF5032701	117U6001	starting relay
5065155	381531	117U6002	starting relay
5031255	380483	117U6003	starting relay
5050000	380077	117U6004	starting relay
5059726	380078	117U6005	starting relay
5036284	380079	117U6010	starting relay
5112516	381548	117U6013	starting relay
5036285	380484	117U6015	starting relay
5112512	381528	117U6016	starting relay
5036287	380058	117U6019	starting relay
5112515	381530	117U6022	starting relay
2102448	365063	117U5014	starting capacitor 60µF
5036282	365061	117U5015	starting capacitor 80µF

SECOP COMPRESSORS

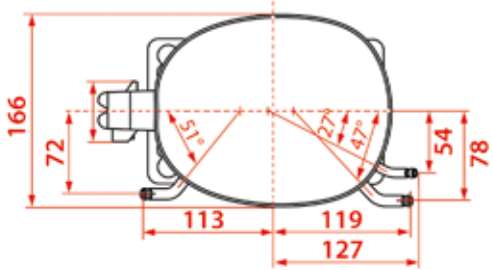


SECO COMPRESSORS

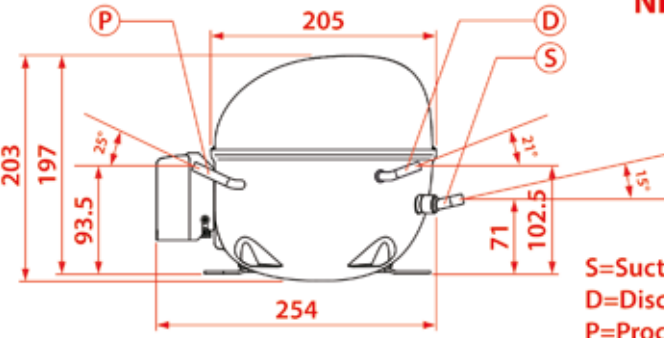
NL



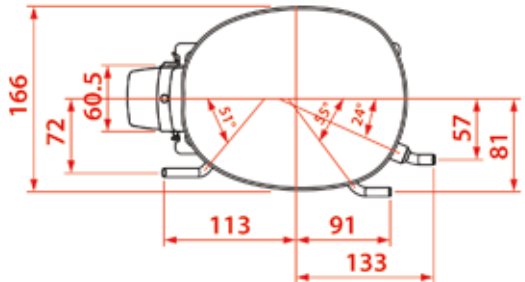
S=Suction \varnothing 8.2
 D=Discharge \varnothing 6.2
 P=Process \varnothing 6.2



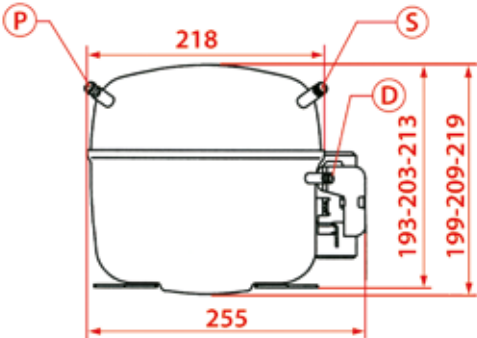
NLE



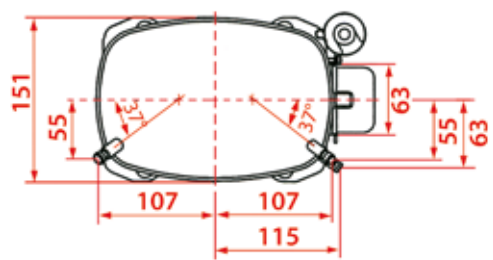
S=Suction \varnothing 8.2
 D=Discharge \varnothing 6.5
 P=Process \varnothing 6.5



SC

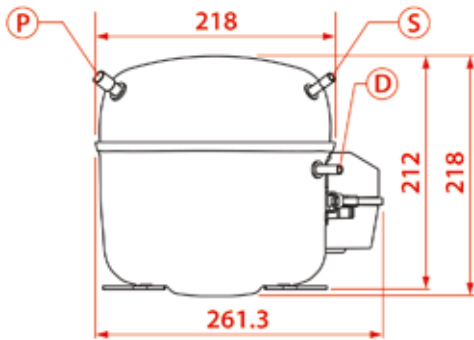


S=Suction \varnothing 8.2
 D=Discharge \varnothing 6.2
 P=Process \varnothing 6.2

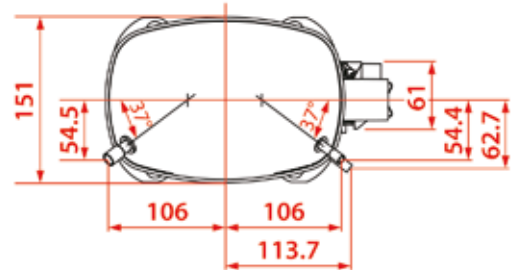


SECOP COMPRESSORS

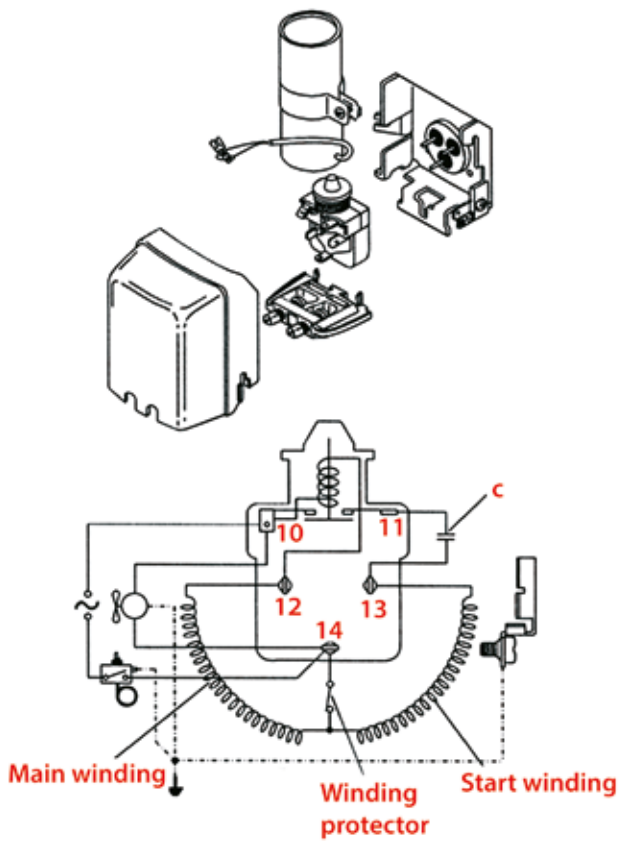
SCE



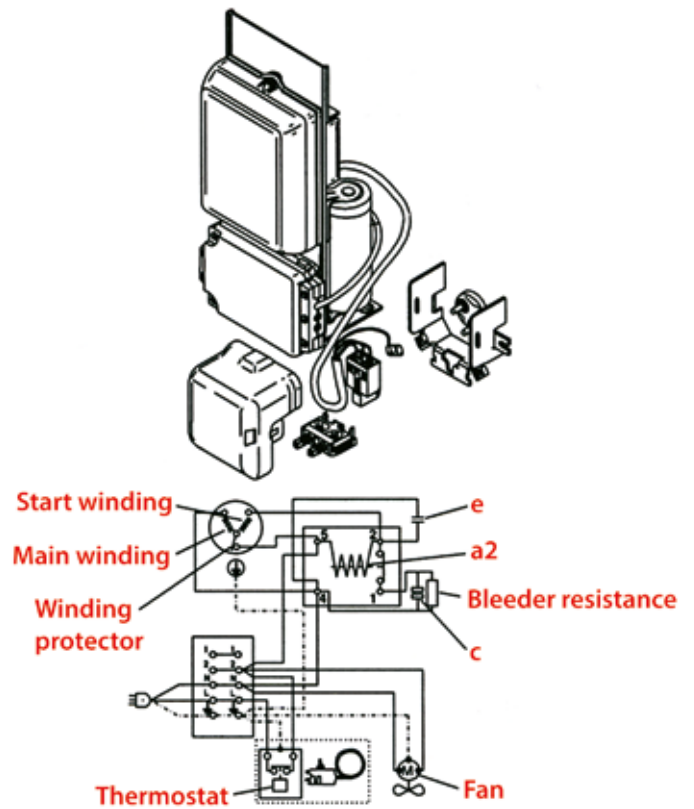
S=Suction \varnothing 10.2
 D=Discharge \varnothing 6.2
 P=Process \varnothing 6.2



HST CSIR



HST CSR



TECUMSEH COMPRESSORS

TECUMSEH COMPRESSORS R134a HMBP



THB



AE



CAJ/S-TAJ/S



CAJ/R-TAJ/R



LF Code	GEV code	Model	Motor power HP	Displac. cm ³	Electric diagram	LRA	W	A	Refrigeration power Watt				Power supply Volt/Ph/Hz	Connection
									Evaporating temperature °C					
									-10	-5	0	+5		
3070232	LF3070232	THB4410YFZ	1/10	2.7	CSIR	5	94	0.7	124	156	196	252	220-240/1/50	
3070234	LF3070234	THB4413YFZ	1/8	3.6	CSIR	7	139	0.9	169	211	262	327	220-240/1/50	
3070233	LF3070233	THB4415YFZ	1/8	4.2	CSIR	7	156	1.1	198	245	302	388	220-240/1/50	
3070200	605184	THB4419YFZ	1/6	5.2	CSIR	8.5	172	1.3	241	299	368	464	220-240/1/50	
3070235	LF3070235	THB4422YFZ	1/5	6.1	CSIR	9	206	1.4	308	375	454	566	220-240/1/50	
3070247	605249	AE4425Y	1/5	6.7	CSIR	10.5	279	1.6	324	414	519	644	220-240/1/50	
3070241	605173	AE4430Y	1/4	8.0	CSIR	11.5	312	2.0	382	488	613	760	220-240/1/50	
3070242	605188	AE4440Y	1/3	10.3	CSIR	13.5	412	2.4	508	637	790	968	220-240/1/50	
3070243	605095	AE4450Y	3/8	13.2	CSIR	17	432	2.7	672	843	1042	1273	220-240/1/50	
3070244	605167	AE4456Y	1/2	14.5	CSIR	17.5			737	921	1133	1380	220-240/1/50	
3070254	605098	AE4460Y	1/2	15.1	CSR	18.5	466	2.5	774	967	1190	1449	220-240/1/50	
3070145	605160	CAJ4461Y/R	1/2	18.3	CSIR	19	728	4.1	756	977	1243	1560	220-240/1/50	with valve
3070313	LF3070313	CAJ4476Y/S	5/8	21.8	CSIR	24	849	4.7	888	1163	1484	1856	220-240/1/50	brazed
3070146	LF3070146	CAJ4476Y/R	5/8	21.8	CSIR	24	849	4.7	888	1163	1484	1856	220-240/1/50	with valve
2104055	605172	CAJ4492Y/S	3/4	26.0	CSIR	26	1008	5.6	1115	1452	1847	2307	220-240/1/50	brazed
3070147	605329	CAJ4492Y/R	3/4	26.0	CSIR	26	1008	5.6	1115	1452	1847	2307	220-240/1/50	with valve
3070314	605171	CAJ4511Y/S	1	32.7	CSR	29	1199	5.3	1496	1913	2397	2956	220-240/1/50	brazed
3070148	LF3070148	CAJ4511Y/R	1	32.7	CSR	29	1199	5.3	1496	1913	2397	2956	220-240/1/50	with valve
3070149	LF3070149	TAJ4492Y/R	3/4	26.0	3 Ph	12.6	929	1.6	1115	1452	1847	2307	400/3/50	with valve
3070316	605332	TAJ4511Y/S	1	32.7	3 Ph	13	1199	2.1	1496	1913	2397	2956	400/3/50	brazed
3070150	605273	TAJ4511Y/R	1	32.7	3 Ph	13	1199	2.1	1496	1913	2397	2956	400/3/50	with valve

Condensation temperature +45°C - Test conditions CECOMAF EN12900

TECUMSEH COMPRESSORS

TECUMSEH COMPRESSORS R134a HMBP - 2



FH/S-TFH/S-TAG/S



FH/R-TFH/R-TAG/R

R134a
HMBP

LF Code	GEV code	Model	Motor power HP	Displac. cm ³	Electric diagram	LRA	W	A	Refrigeration power Watt				Power supply Volt/Ph/Hz	Connections
									-10	-5	0	+5		
5077061	LF5077061	FH4518Y/S	1.5	53.20	CSR	46.0	1300	6.7	2049	2831	3688	5039	220-240/1/50	brazed
2101211	LF2101211	FH4518Y/R	1.5	53.20	CSR	46.0	1300	6.7	2049	2831	3688	5039	220-240/1/50	with valves
5077063	LF5077063	TFH4518Y/S	1.5	53.20	3Ph	24.0	1260	2.7	2049	2831	3688	5039	400/3/50	brazed
2102058	LF2102058	TFH4518Y/R	1.5	53.20	3Ph	24.0	1260	2.7	2049	2831	3688	5039	400/3/50	with valves
5077066	LF5077066	FH4525Y/S	2	74.25	CSR	55.0	1780	8.3	2913	3822	4884	6654	220-240/1/50	brazed
5077067	LF5077067	FH4525Y/R	2	74.25	CSR	55.0	1780	8.3	2913	3822	4884	6654	220-240/1/50	with valves
5077064	LF5077064	TFH4525Y/S	2	74.25	3Ph	24.0	1730	3.5	2913	3822	4884	6654	400/3/50	brazed
5077065	LF5077065	TFH4525Y/R	2	74.25	3Ph	24.0	1730	3.5	2913	3822	4884	6654	400/3/50	with valves
5077070	LF5077070	TAG4528Y/S	2.5	90.20	3Ph	40.0	1750	3.6	2693	3831	5174	7438	400/3/50	brazed
5077071	LF5077071	TAG4528Y/R	2.5	90.20	3Ph	40.0	1750	3.6	2693	3831	5174	7438	400/3/50	with valves
5077073	LF5077073	TAG4534Y/S	2.75	100.70	3Ph	41.0	2000	4.0	3569	4849	6353	8873	400/3/50	brazed
5077074	LF5077074	TAG4534Y/R	2.75	100.70	3Ph	41.0	2000	4.0	3569	4849	6353	8873	400/3/50	with valves
5077075	LF5077075	TAG4537Y/S	3	112.50	3Ph	42.5	2200	4.2	4112	5534	7210	10029	400/3/50	brazed
5077076	LF5077076	TAG4537Y/R	3	112.50	3Ph	42.5	2200	4.2	4112	5534	7210	10029	400/3/50	with valves
5077078	LF5077078	TAG4543Y/S	3.5	124.40	3Ph	43.5	2380	4.4	4281	5791	7625	10785	400/3/50	brazed
5077079	LF5077079	TAG4543Y/R	3.5	124.40	3Ph	43.5	2380	4.4	4281	5791	7625	10785	400/3/50	with valves

Condensation temperature +45°C - Test conditions CECOMAF EN12900

TECUMSEH COMPRESSORS

TECUMSEH COMPRESSORS R404a-R507 LBP



AE



CAJ/S-TAJ/S



CAJ/R-TAJ/R

R404a R507
LBP

LF Code	GEV code	Model	Motor power HP	Displac. cm ³	Electric diagram	LRA	W	A	Refrigeration power Watt				Power supply Volt/Ph/Hz	Connection
									Evaporating temperature °C					
									-30	-25	-20	-10		
3070245	LF3070245	AE2415Z	1/3	7.3	CSIR	12.5	290	1.85	251	327	419	660	220-240/1/50	
3070382	LF3070382	AE1420Z	3/8	9.4	CSIR	18.5	340	2.5	334	435	555	872	220-240/1/50	
3070240	605276	AE2425Z	1/2	12.0	CSIR	18.4	460	2.3	450	587	752	1184	220-240/1/50	
3070318	605157	CAJ2428Z/S	5/8	15.2	CSR	22	535	2.4	434	589	773	1246	220-240/1/50	brazed
3070094	LF3070094	CAJ2428Z/R	5/8	15.2	CSR	22	535	2.4	434	589	773	1246	220-240/1/50	with valve
3070319	LF3070319	CAJ2432Z/S	3/4	18.3	CSR	21	563	2.5	542	738	971	1247	220-240/1/50	brazed
3070095	605238	CAJ2432Z/R	3/4	18.3	CSR	21	563	2.5	542	738	971	1247	220-240/1/50	with valve
3070323	LF3070323	CAJ2440Z/S	1	22.8	CSR	27	675	3	647	870	1135	1807	220-240/1/50	brazed
3070096	LF3070096	CAJ2440Z/R	1	22.8	CSR	27	675	3	647	870	1135	1807	220-240/1/50	with valve
3070320	605306	CAJ2446Z/S	1.2	26.1	CSR	29	847	3.8	859	1133	1451	2241	220-240/1/50	brazed
3070097	605134	CAJ2446Z/R	1.2	26.1	CSR	29	847	3.8	859	1133	1451	2241	220-240/1/50	with valve
2101934	605320	CAJ2464Z/S	1.5	34.4	CSR	40	1107	5.2	1116	1459	1864	2882	220-240/1/50	brazed
3070098	605136	CAJ2464Z/R	1.5	34.4	CSR	40	1107	5.2	1116	1459	1864	2882	220-240/1/50	with valve
3070321	LF3070321	TAJ2446Z/S	1.2	26.1	3 Ph	13	873	1.5	859	1133	1451	2241	400/3/50	brazed
3070099	LF3070099	TAJ2446Z/R	1.2	26.1	3 Ph	13	873	1.5	859	1133	1451	2241	400/3/50	with valve
3070322	605187	TAJ2464Z/S	1.5	34.4	3 Ph	16	1100	2.1	1116	1459	1864	2882	400/3/50	brazed
3070100	605324	TAJ2464Z/R	1.5	34.4	3 Ph	16	1100	2.1	1116	1459	1864	2882	400/3/50	with valve

Condensation temperature +40°C - Test conditions CECOMAF EN12900

TECUMSEH COMPRESSORS R404a-R507 LBP



FH/S-TFH/S-TAG/S



FH/R-TFH/R-TAG/R

R404a R507
LBP

LF Code	GEV code	Model	Motor power HP	Displac. cm ³	Electric diagram	LRA	W	A	Refrigeration power Watt				Power supply Volt/Ph/Hz	Connections
									Evaporating temperature °C					
									-30	-25	-20	-10		
5076959	LF5076959	FH2480Z/S	2	53,20	CSR	68.0	1680	7.4	1587	2303	2701	4105	220-240/1/50	brazed
5076960	LF5076960	FH2480Z/R	2	53,20	CSR	68.0	1680	7.4	1587	2303	2701	4105	220-240/1/50	with valves
2102553	S0207286	TFH2480Z/S	2	53,20	3Ph	23.0	1590	2.9	1587	2303	2701	4105	400/3/50	brazed
5076947	LF5076947	TFH2480Z/R	2	53,20	3Ph	23.0	1590	2.9	1587	2303	2701	4105	400/3/50	with valves
5077091	LF5077091	FH2511Z/S	3	74,25	CSR	81.0	2130	11.0	2109	3155	3762	6013	220-240/1/50	brazed
5077092	LF5077092	FH2511Z/R	3	74,25	CSR	81.0	2130	11.0	2109	3155	3762	6013	220-240/1/50	with valves
2101708	605335	TFH2511Z/S	3	74,25	3Ph	28.0	1970	3.8	2109	3155	3762	6013	400/3/50	brazed
2102773	LF2102773	TFH2511Z/R	3	74,25	3Ph	28.0	1970	3.8	2109	3155	3762	6013	400/3/50	with valves
5076948	LF5076948	TAG2516Z/S	4	112,50	3Ph	45.0	2800	4.6	3149	4623	5512	8851	400/3/50	brazed
5076950	LF5076950	TAG2516Z/R	4	112,50	3Ph	45.0	2800	4.6	3149	4623	5512	8851	400/3/50	with valves
5076951	LF5076951	TAG2522Z/S	5	134,80	3Ph	63.0	3400	6.0	4127	5855	6903	10853	400/3/50	brazed
5076952	LF5076952	TAG2522Z/R	5	134,80	3Ph	63.0	3400	6.0	4127	5855	6903	10853	400/3/50	with valves

Condensation temperature +40°C - Test conditions CECOMAF EN12900

TECUMSEH COMPRESSORS

TECUMSEH COMPRESSORS R404a-R507 HMBP



AE



CAJ/S-TAJ/S



CAJ/R-TAJ/R

R404a R507
HMBP

LF Code	GEV code	Model	Motor power HP	Displac. cm ³	Electric diagram	LRA	W	A	Refrigeration power Watt				Power supply Volt/Ph/Hz	Connection
									-10	-5	0	+5		
3070248	605021	AE4425Z	1/5	4.2	CSIR	11	243	1.7	326	407	502	613	220-240/1/50	
3070249	605025	AE4430Z	1/4	5.2	CSIR	11.4	297	1.9	404	500	611	740	220-240/1/50	
3070250	605151	AE4440Z	1/3	6.7	CSIR	15.5	382	2.5	546	676	826	1000	220-240/1/50	
3070251	605023	AE4450Z	3/8	8.8	CSIR	17.5	530	3.3	720	885	1074	1289	220-240/1/50	
3070252	605219	AE4460Z	1/2	10.3	CSIR	19.4	590	3.7	875	1062	1275	1519	220-240/1/50	
3070253	605158	AE4470Z	1/2	12.0	CSR	19.3	686	3.2	1035	1251	1495	1773	220-240/1/50	
3070317	605026	CAJ9480Z/S	5/8	15.2	CSR	22.6	780	3.4	1159	1434	1752	2117	220-240/1/50	brazed
3070130	605325	CAJ9480Z/R	5/8	15.2	CSR	22.6	780	3.4	1159	1434	1752	2117	220-240/1/50	with valve
5039008	605032	CAJ9510Z/S	1	18.3	CSR	30	953	4.5	1453	1794	2187	2639	220-240/1/50	brazed
3070131	605327	CAJ9510Z/R	1	18.3	CSR	30	953	4.5	1453	1794	2187	2639	220-240/1/50	with valve
5010941	605070	CAJ9513Z/S	1.1	24.2	CSR	33.5	1129	5.6	1827	2290	2819	3422	220-240/1/50	brazed
3070132	LF3070132	CAJ9513Z/R	1.1	24.2	CSR	33.5	1129	5.6	1827	2290	2819	3422	220-240/1/50	with valve
2101715	605027	CAJ4517Z/S	1.2	25.9	CSR	32	1344	6.0	2070	2552	3104	3736	220-240/1/50	brazed
3070133	605328	CAJ4517Z/R	1.2	25.9	CSR	32	1344	6.0	2070	2552	3104	3736	220-240/1/50	with valve
5021390	605065	CAJ4519Z/S	1.5	34.4	CSR	51	1740	8.6	2699	3342	4069	4896	220-240/1/50	brazed
3070134	605326	CAJ4519Z/R	1.5	34.4	CSR	51	1740	8.6	2699	3342	4069	4896	220-240/1/50	with valve
3070135	LF3070135	TAJ9580Z/R	5/8	15.2	3 Ph	13	781	1.6	1464	1791	2351	3093	400/3/50	with valve
3070136	LF3070136	TAJ9510Z/R	1	18.3	3 Ph	13	981	1.9	1453	1794	2187	2639	400/3/50	with valve
3070137	605236	TAJ9513Z/R	1.1	24.2	3 Ph	13	1087	2.2	1827	2290	2819	3422	400/3/50	with valve
3070138	LF3070138	TAJ4517Z/R	1.2	25.9	3 Ph	18	1343	2.7	2070	2552	3104	3736	400/3/50	with valve
5068808	LF5068808	TAJ4519Z/S	1.5	34.4	3 Ph	22	1732	3.6	2699	3342	4069	4896	400/3/50	brazed
3070139	605277	TAJ4519Z/R	1.5	34.4	3 Ph	22	1732	3.6	2699	3342	4069	4896	400/3/50	with valve

Condensation temperature +45°C - Test conditions CECOMAF EN12900

TECUMSEH COMPRESSORS

TECUMSEH COMPRESSORS R404a-R507 HMBP



FH/S-TFH/S



FH/R-TFH/R

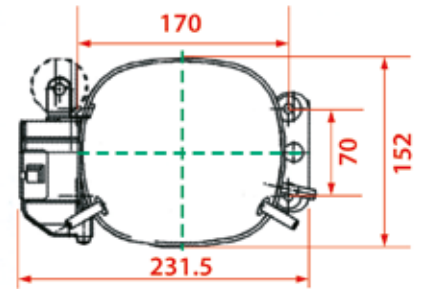
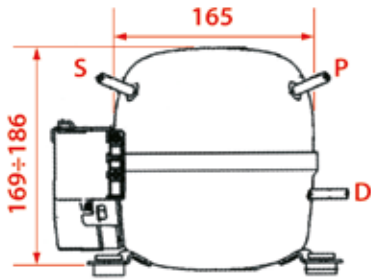
R404a R507
HMBP

LF Code	GEV code	Model	Motor power HP	Displac. cm ³	Electric diagram	LRA	W	A	Refrigeration power Watt				Power supply Volt/Ph/Hz	Connections
									-10	-5	0	+5		
5019103	LF5019103	FH4522Z/S	1.8	39.95	CSR	46.0	1740	7.8	2617	3380	4257	5749	220-240/1/50	brazed
3070312	LF3070312	FH4522Z/R	1.8	39.95	CSR	46.0	1740	7.8	2617	3380	4257	5749	220-240/1/50	with valves
5077022	LF5077022	TFH4522Z/S	1.8	39.95	3Ph	24.0	1750	3.6	2617	3380	4257	5749	400/3/50	brazed
5077017	LF5077017	TFH4522Z/R	1.8	39.95	3Ph	24.0	1750	3.6	2617	3380	4257	5749	400/3/50	with valves
5077025	LF5077025	FH4524/S	2	43.50	CSR	49.0	1970	8.8	3048	3889	4833	6388	220-240/1/50	brazed
5077026	LF5077026	FH4524/R	2	43.50	CSR	49.0	1970	8.8	3048	3889	4833	6388	220-240/1/50	with valves
5077027	LF5077027	TFH4524Z/S	2	43.50	3Ph	24.0	1970	3.8	3048	3889	4833	6388	400/3/50	brazed
2102343	LF2102343	TFH4524Z/R	2	43.50	3Ph	24.0	1970	3.8	3048	3889	4833	6388	400/3/50	with valves
5077086	LF5077086	FH4531Z/S	2.5	56.65	CSR	66.0	2550	11.1	3968	4991	6143	8070	220-240/1/50	brazed
5039421	S0008662	FH4531Z/R	2.5	56.65	CSR	66.0	2550	11.1	3968	4991	6143	8070	220-240/1/50	with valves
5077028	605037	TFH4531Z/S	2.5	56.65	3Ph	27.0	2435	4.3	3968	4991	6143	8070	400/3/50	brazed
5077030	LF5077030	TFH4531Z/R	2.5	56.65	3Ph	27.0	2435	4.3	3968	4991	6143	8070	400/3/50	with valves
5077089	605042	FH4540Z/S	3	74.25	CSR	88.0	3260	15.4	5173	6437	7861	10245	220-240/1/50	brazed
5067384	LF5067384	FH4540Z/R	3	74.25	CSR	88.0	3260	15.4	5173	6437	7861	10245	220-240/1/50	with valves
5077033	LF5077033	TFH4540Z/S	3	74.25	3Ph	44.0	3250	6.8	5173	6437	7861	10245	400/3/50	brazed
5077034	LF5077034	TFH4540Z/R	3	74.25	3Ph	44.0	3250	6.8	5173	6437	7861	10245	400/3/50	with valves
5077031	LF5077031	TAG4546Z/S	4	90.20	3Ph	40.0	3371	6.0	5457	7122	9061	12401	400/3/50	brazed
5077035	LF5077035	TAG4546Z/R	4	90.20	3Ph	40.0	3371	6.0	5457	7122	9061	12401	400/3/50	with valves
5077036	LF5077036	TAG4553Z/S	4.5	100.70	3Ph	45.0	3847	6.6	6220	8062	10202	13895	400/3/50	brazed
5077037	LF5077037	TAG4553Z/R	4.5	100.70	3Ph	45.0	3847	6.6	6220	8062	10202	13895	400/3/50	with valves
5077040	LF5077040	TAG4561Z/S	5	112.50	3Ph	51.0	4338	6.8	7107	9082	11363	15282	400/3/50	brazed
5077043	LF5077043	TAG4561Z/R	5	112.50	3Ph	51.0	4338	6.8	7107	9082	11363	15282	400/3/50	with valves
5077044	LF5077044	TAG4568Z/S	6	124.40	3Ph	54.0	4868	7.9	8477	10702	13253	17588	400/3/50	brazed
5077045	LF5077045	TAG4568Z/R	6	124.40	3Ph	54.0	4868	7.9	8477	10702	13253	17588	400/3/50	with valves
5077046	LF5077046	TAG4573Z/S	6.5	134.80	3Ph	56.0	5406	9.1	9156	11508	14224	18870	400/3/50	brazed
5077051	LF5077051	TAG4573Z/R	6.5	134.80	3Ph	56.0	5406	9.1	9156	11508	14224	18870	400/3/50	with valves

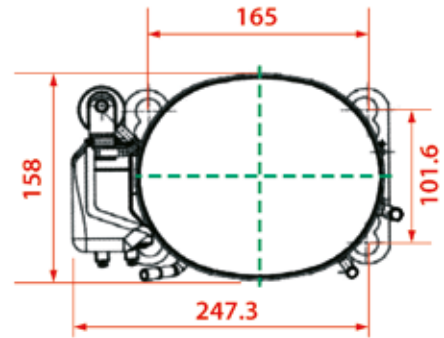
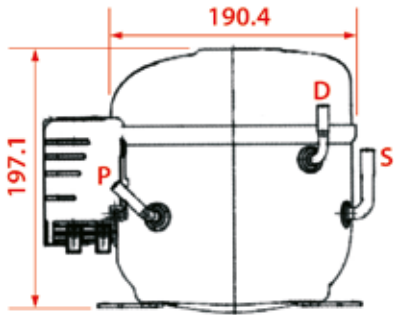
Condensation temperature +45°C - Test conditions CECOMAF EN12900

TECUMSEH COMPRESSORS

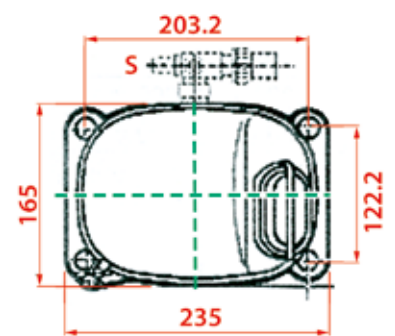
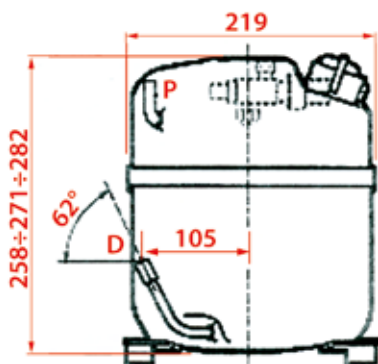
TH



AE

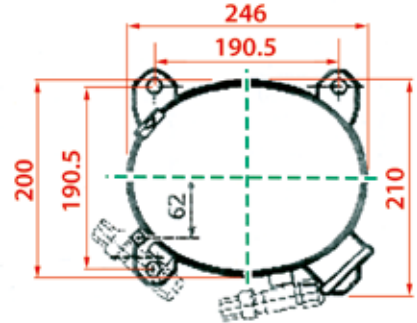
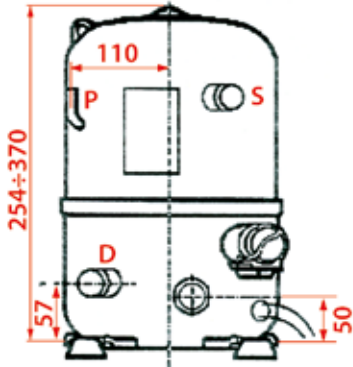


CAJ-TAJ

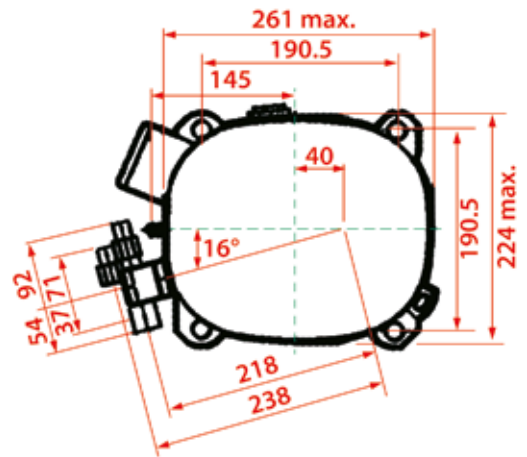
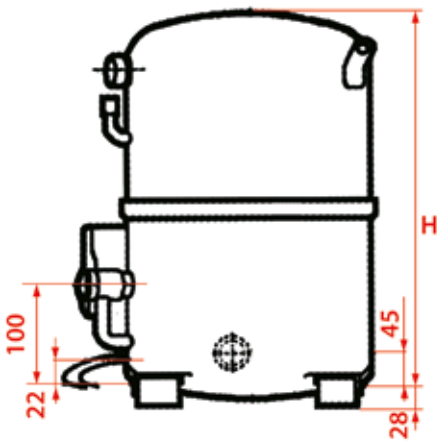


TECUMSEH COMPRESSORS

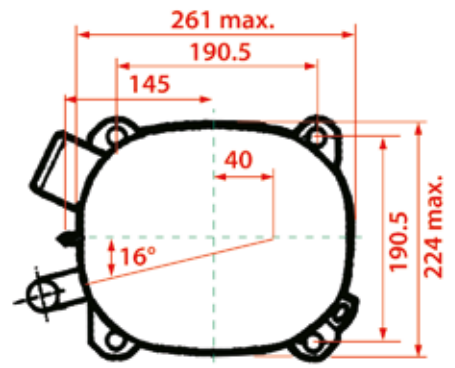
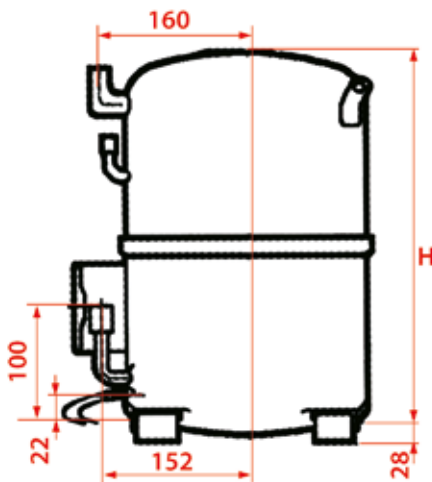
FH-TFH



AG/TAG

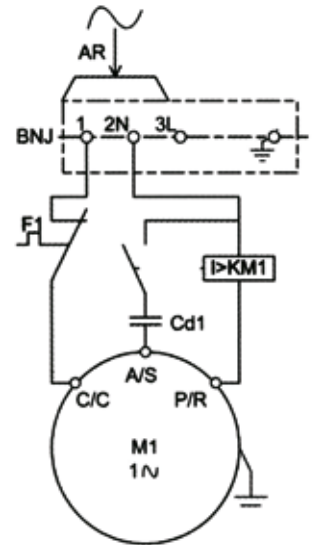
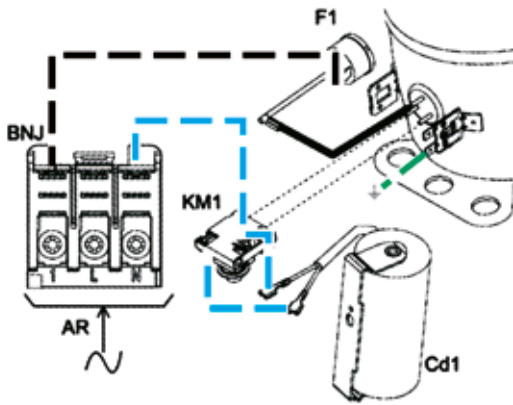


AG/TAG

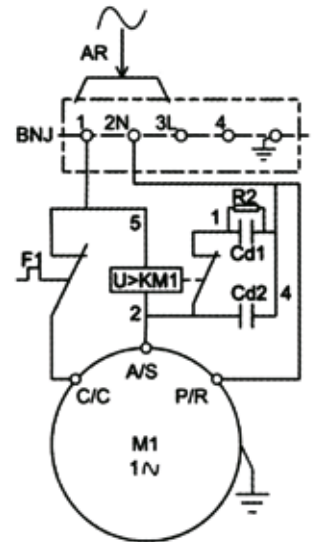
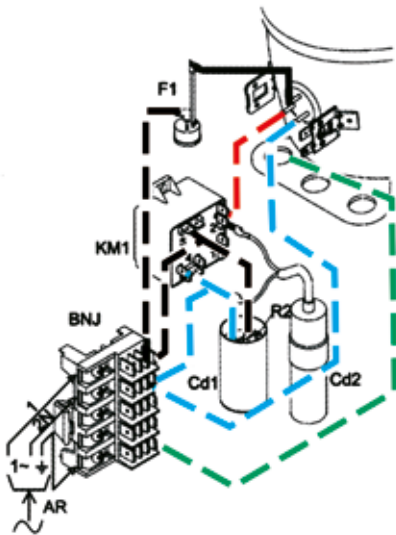


TECUMSEH COMPRESSORS

TH-AEZ-AE | CSIR

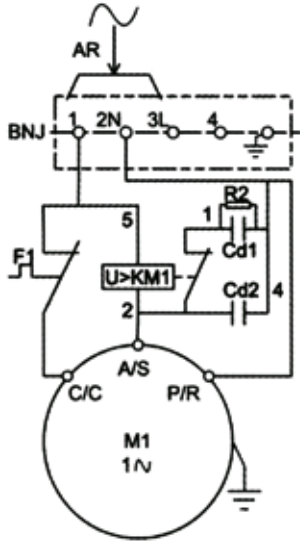
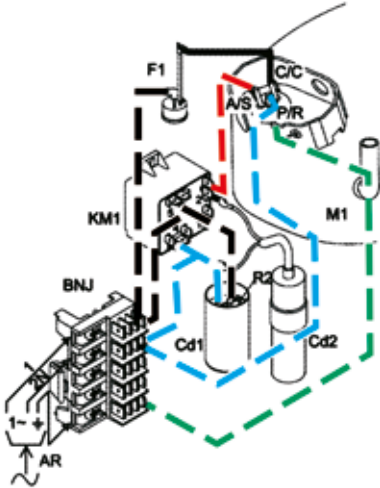


AEZ-AE | CSR

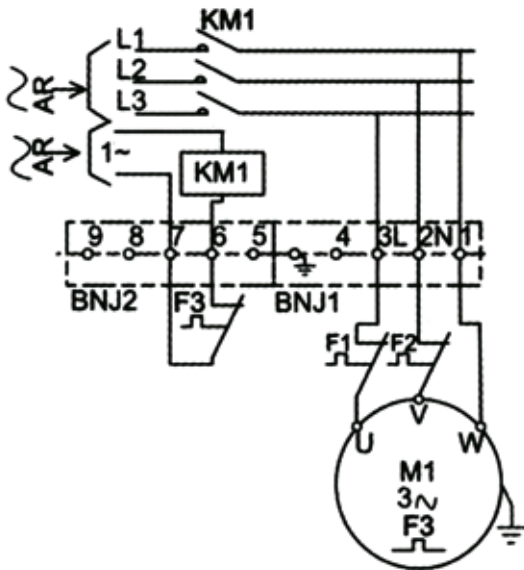
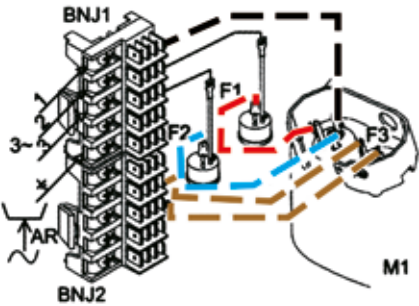


TECUMSEH COMPRESSORS

AJ | CSR

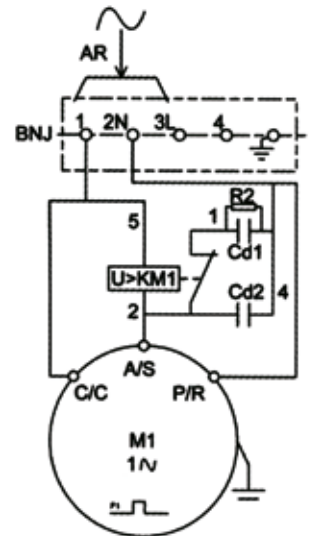
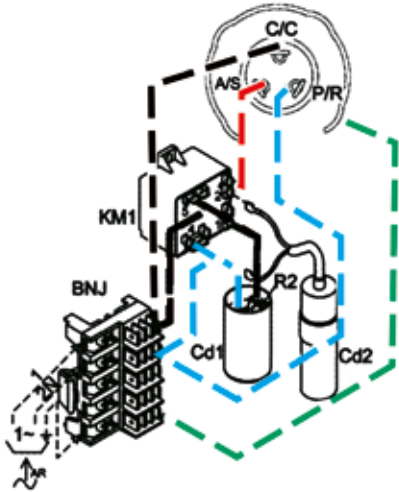


AJ | TRI

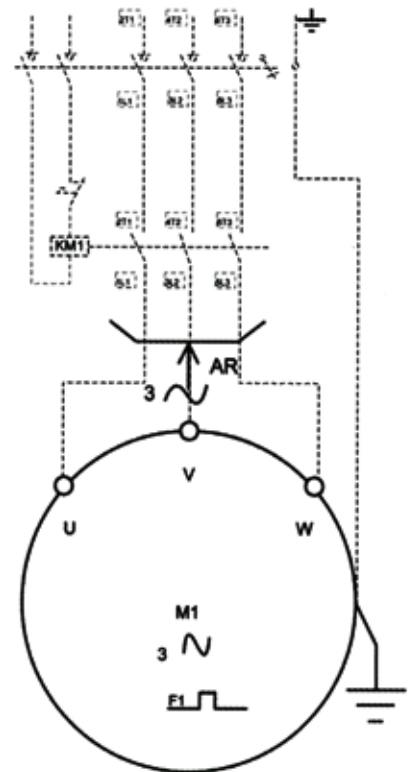
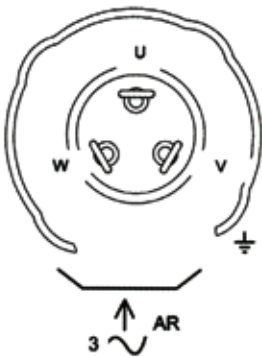


TECUMSEH COMPRESSORS

FH-AG-VS | CSR



FH-AG-VS | TRI



ACCESSORIES FOR COMPRESSORS

ELECTROLYTIC CAPACITORS TO START SINGLE-PHASE MOTORS

DUCATI
energia s.p.a.



Series 4.12.80

LF Code	GEV code	Capacity μF	Volt	ϕ mm	Height mm
3068101	365095	43÷52	330V	36.5	68.5
3068102	365153	47÷56	330V	45.5	84
3068104	365057	53÷64	330V	45.5	84
3068070	365094	64÷77	330V	45.5	84
3068103	365096	88÷103	330V	45.5	84
3068067	365111	108÷130	330V	52	105
3068068	365101	124÷149	330V	52	105
3068069	LF3068069	145÷174	330V	52	105

Operating temperature $-20+55^{\circ}\text{C}$ - Tolerance capacity $\pm 10\%$ - terminal Faston 6,3 mm

RUNNING CAPACITORS

DUCATI
energia s.p.a.

Voltage:
400V ~ 30000h c.I.A 25/100/21
425V ~ 30000h c.I.A 25/85/21
475V ~ 10000h c.I.B 25/85/21
500V ~ 3000h c.I.C 25/85/21

Approved range:
0.8÷10 μF
0.8÷40 μF
0.8÷70 μF
0.8÷40 μF



Series 4.16.33

EN 60252-1



LF Code	GEV code	Capacity μF	$\phi \times \text{H}$ mm
3068034	LF3068034	10	40x72
3068039	LF3068039	12	40x72
3068040	LF3068040	15	40x98
3068035	LF3068035	20	40x98
3068036	S0102371	25	45x98
3068037	LF3068037	30	45x122
3068038	365097	35	45x122

Operating temperature $-25+85^{\circ}\text{C}$ - Tolerance capacity $\pm 5\%$ - Operations frequency $50 \div 60 \text{ Hz}$ - terminal Faston 6.3 mm

ACCESSORIES FOR COMPRESSORS

ACCESS FITTINGS



Photo	LF Code	GEV code	Threaded connections	SAE - NPT	ODS connection	ø mm
1	3526020	LF3526020		1/4"		6-8-10
2	3526811	LF3526811		1/4"		6
3	3526810	750100		1/4"		-
4	3526021	LF3526021		1/4" - 1/8"		-
5	3526022	LF3526022		1/4" - 1/4"		-

complete with valve mechanism and cap

ACCESS FITTINGS WITH PIPE



LF Code	GEV code	Threaded connection	SAE	pipe ø	mm
3526245	750784		1/4"		4,76
3526812	750340		1/4"		6
3526259	LF3526259		1/4"	6,35 (1/4")	

complete with valve mechanism and cap

ACCESSORIES FOR ACCESS FITTINGS



LF Code	GEV code	Description
3526023	750098	valve internal mechanism
3349626	LF3349626	valve internal mechanism for HC R290-R600a
3526813	750479	valve cap thread ø 1/4"
3526248	750468	valve cap with valve clamp thread ø 1/4"
3526247	LF3526247	valve cap thread ø 3/8"

"T" MMF ACCESS FITTINGS WITH SWIVEL CAP



LF Code	GEV code	Threaded connection	SAE
3526024	750481		1/4"

F-connection with with swiveling cap and precursor - M-connections with threading for internal mechanism

REFRIGERATION UNITS

AIR COOLED HERMETIC CONDENSING UNITS R134a HMBP WIDESPRED APPLICATION WITH TAPS



LF Code	GEV code	Model	Motor power HP	Displac. cm ³	Power supply Volt/Ph/Hz	Dimensions mm L x D x H	Weight Kg	Connections Suction - Liquid		Refrigeration power Watt			
										Evaporating temperature °C			
										-15	-10	-5	0
3123042	LF3123042	AC6144Z	1/5	5.20	230/1/50	300x420x276	16.3	3/8"-10	1/4"-6	254	315	384	397
3123018	LF3123018	AC6160Z	1/4L	6.76	230/1/50	300x460x275	17.3	3/8"-10	1/4"-6	316	390	471	503
3123005	LF3123005	AC6170Z	1/4	7.69	230/1/50	300x460x276	17.6	3/8"-10	1/4"-6	359	444	542	561
3123054	LF3123054	AC6187Z	1/3	10.00	230/1/50	300x460x276	19.7	3/8"-10	1/4"-6	408	500	610	654
3123077	LF3123077	AC6212Z	1/2L	14.30	230/1/50	300x480x276	22.0	3/8"-10	1/4"-6	563	680	819	894
3123144	LF3123144	AC6214Z	1/2	16.80	230/1/50	300x510x276	23.2	1/2"-12	1/4"-6	619	760	923	1021

Ambient temperature +32°C - EN 12900

AIR COOLED HERMETIC CONDENSING UNITS R134a HMBP APPLICATION THERMOSTATIC EXPANS. VALVE WITH TAPS



LF Code	GEV code	Model	Motor power HP	Displac. cm ³	Power supply Volt/Ph/Hz	Dimensions mm L x D x H	Weight Kg	Connections Suction - Liquid		Refrigeration power Watt			
										Evaporating temperature °C			
										-15	-10	-5	0
3123055	LF3123055	AV6144Z	1/5	5.20	230/1/50	300x460x276	17.0	3/8"-10	1/4"-6	254	315	384	397
3123056	LF3123056	AV6160Z	1/4L	6.76	230/1/50	300x460x276	18.0	3/8"-10	1/4"-6	316	390	471	503
3123057	LF3123057	AV6170Z	1/4	7.69	230/1/50	300x460x276	18.3	3/8"-10	1/4"-6	359	444	542	561
3123058	LF3123058	AV6187Z	1/3	10.00	230/1/50	300x480x276	20.5	3/8"-10	1/4"-6	408	500	610	654
3123076	LF3123076	AV6212Z	1/2L	14.30	230/1/50	300x510x276	22.0	3/8"-10	1/4"-6	563	680	819	894
3123059	LF3123059	AV6214Z	1/2	16.80	230/1/50	300x540x276	24.0	3/8"-10	1/4"-6	619	760	923	1021
3123049	LF3123049	AV6215Z	5/8	17.39	230/1/50	390x480x350	26.5	1/2"-12	3/8"-10	695	854	1048	1092
3123030	LF3123030	AV6220Z	3/4	26.20	230/1/50	390x510x350	35.0	1/2"-12	3/8"-10	856	1054	1275	1517
3123031	LF3123031	AV6226Z	1	34.37	230/1/50	390x540x350	39.0	5/8"-16	3/8"-10	1222	1508	1808	2120
3123027	LF3123027	AVT6226ZX	1	34.37	400/3/50	390x540x350	35.0	5/8"-16	3/8"-10	1222	1508	1808	2120

Ambient temperature +32°C - EN 12900

REFRIGERATION UNITS

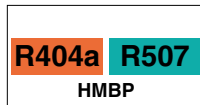
AIR COOLED HERMETIC CONDENSING UNITS R404a/R507 HMBP WIDESPRED APPLICATION WITH TAPS



LF Code	GEV code	Model	Motor power HP	Displac. cm ³	Power supply Volt/Ph/Hz	Dimensions mm L x D x H	Weight Kg	Connections Suction - Liquid	Refrigeration power Watt Evaporating temperature °C			
									-15	-10	-5	0
3123145	LF3123145	AC6144GK	1/6	3.97	230/1/50	300x420x276	16.3	3/8"-10 1/4"-6	331	395	463	537
3123146	LF3123146	AC6152GK	1/5	4.50	230/1/50	300x420x276	17.3	3/8"-10 1/4"-6	363	430	502	577
3123147	LF3123147	AC6165GK	1/4L	5.20	230/1/50	300x460x276	17.6	3/8"-10 1/4"-6	429	512	602	699
3123148	LF3123148	AC6181GK	1/3L	7.28	230/1/50	300x460x276	19.7	3/8"-10 1/4"-6	511	603	705	810
3123149	LF3123149	AC6212GK	1/3	8.78	230/1/50	300x480x276	22.0	3/8"-10 1/4"-6	629	733	852	980

Ambient temperature +32°C - EN 12900

AIR COOLED HERMETIC CONDENSING UNITS R404a/R507 HMBP APPLICATION THERMOSTATIC EXPANS. VALVE WITH TAPS



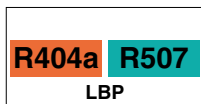
2V

LF Code	GEV code	Model	Motor power HP	Displac. cm ³	Power supply Volt/Ph/Hz	Dimensions mm L x D x H	Weight Kg	Connections Suction - Liquid	Refrigeration power Watt Evaporating temperature °C			
									-15	-10	-5	0
3123053	LF3123053	AV6144GK	1/6	3.97	230/1/50	300x460x276	17.0	3/8"-10 1/4"-6	331	395	463	537
3123016	LF3123016	AV6152GK	1/5	4.50	230/1/50	300x460x276	17.0	3/8"-10 1/4"-6	363	430	502	577
3123029	LF3123029	AV6165GK	1/4L	5.20	230/1/50	300x460x276	20.5	3/8"-10 1/4"-6	429	512	602	699
3123025	LF3123025	AV6181GK	1/4	7.38	230/1/50	300x460x276	22.5	3/8"-10 1/4"-6	511	603	705	810
3123017	LF3123017	AV6212GK	1/3	8.78	230/1/50	300x510x276	23.0	3/8"-10 1/4"-6	629	733	852	980
3123043	LF3123043	AV6215GK	1/2	12.12	230/1/50	300x510x298	24.0	3/8"-10 1/4"-6	828	964	1117	1278
3123028	LF3123028	AV6217GK	5/8	14.30	230/1/50	390x510x350	32.0	1/2"-12 3/8"-10	984	1162	1351	1543
3123044	LF3123044	AV6222GK	3/4	17.40	230/1/50	390x510x350	32.0	5/8"-16 3/8"-10	1114	1329	1558	1785
3058005	LF3058005	AV6224GK	1	20.44	230/1/50	390x510x350	32.0	5/8"-16 3/8"-10	1300	1552	1815	2082
3123050	LF3123050	AV6226GK	1.1	22.40	230/1/50	390x540x350	32.0	5/8"-16 3/8"-10	1429	1688	1956	2224
3123033	LF3123033	AV6226GK2V	1.1	22.40	230/1/50	650x480x280	45.0	5/8"-16 3/8"-10	1429	1688	1956	2224
3123045	LF3123045	AV9232GK	1.2	26.20	230/1/50	450x540x375	40.0	5/8"-16 3/8"-10	1540	1875	2209	2525
3123034	LF3123034	AV9232GK2V	1.2	26.20	230/1/50	650x480x330	43.0	5/8"-16 3/8"-10	1540	1875	2209	2525
3123036	LF3123036	AVT9232GS2V	1.2	26.20	400/3/50	650x480x330	43.0	5/8"-16 3/8"-10	1540	1875	2209	2525
3123041	LF3123041	AV9238GK	1.5	32.70	230/1/50	520x580x440	47.0	5/8"-16 3/8"-10	2076	2497	2924	3349
3123035	LF3123035	AV9238GK2V	1.5	32.70	230/1/50	650x480x330	45.0	5/8"-16 3/8"-10	2076	2497	2924	3349
3123037	LF3123037	AVT9238GS2V	1.5	32.70	400/3/50	650x480x330	45.0	5/8"-16 3/8"-10	2076	2497	2924	3349

Ambient temperature +32°C - EN 12900

REFRIGERATION UNITS

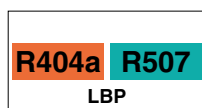
AIR COOLED HERMETIC CONDENSING UNITS R404a/R507 LBP WIDESPRED APPLICATION WITH TAPS



LF Code	GEV code	Model	Motor power HP	Displac. cm ³	Power supply Volt/Ph/Hz	Dimensions mm L x D x H	Weight Kg	Connections Suction - Liquid		Refrigeration power Watt			
										Evaporating temperature °C			
										-30	-25	-20	-10
3123150	LF3123150	AC2140GK	1/3	8.78	230/1/50	300x480x276	16.3	3/8"-10	1/4"-6	344	437	538	755
3123151	LF3123151	AC2155GK	1/2	12.12	230/1/50	300x480x276	17.3	3/8"-10	1/4"-6	448	556	675	936
3123152	LF3123152	AC2168GK	3/4	14.30	230/1/50	300x480x276	17.6	1/2"-10	3/8"-6	517	649	796	1124
3123153	LF3123153	AC2178GK	1	17.40	230/1/50	300x480x276	19.7	1/2"-12	3/8"-10	602	747	907	1248

Ambient temperature +32°C - EN 12900

AIR COOLED HERMETIC CONDENSING UNITS R404a/R507 LBP APPLICATION THERMOSTATIC EXPANS. VALVE WITH TAPS



2V

LF Code	GEV code	Model	Motor power HP	Displac. cm ³	Power supply Volt/Ph/Hz	Dimensions mm L x D x H	Weight Kg	Connections Suction - Liquid		Refrigeration power Watt			
										Evaporating temperature °C			
										-30	-25	-20	-10
3123051	LF3123051	AV2130GK	1/4	7.40	230/1/50	300x460x276	20.0	3/8"-10	1/4"-6	273	343	418	572
3123026	LF3123026	AV2140GK	1/3	8.78	230/1/50	300x510x276	21.0	3/8"-10	1/4"-6	344	437	538	755
3123052	LF3123052	AV2155GK	1/2	12.11	230/1/50	300x540x276	26.0	3/8"-10	1/4"-6	448	556	675	936
3123048	LF3123048	AV2168GK	3/4	14.28	230/1/50	390x480x350	26.5	1/2"-12	3/8"-10	517	649	796	1124
3123032	LF3123032	AV2178GK	1	17.40	230/1/50	390x480x350	27.0	1/2"-12	3/8"-10	602	747	907	1248
3058004	LF3058004	AV2180GK	1.1	20.44	230/1/50	390x480x350	30.0	1/2"-12	3/8"-10	679	842	1014	1386
3123046	LF3123046	AV2192GK	1.2	26.00	230/1/50	390x510x350	34.2	1/2"-12	3/8"-10	783	987	1203	1626
3123040	LF3123040	AV2212GK	1.5	34.37	230/1/50	450x540x375	41.0	5/8"-16	3/8"-10	1070	1352	1645	2195
3123038	LF3123038	AV2212GK2V	1.5	34.37	230/1/50	650x480x330	48.5	5/8"-16	3/8"-10	1070	1352	1645	2195
3123047	LF3123047	AVT2212GS	1.5	34.37	400/3/50	450x540x375	38.9	5/8"-16	3/8"-10	1070	1352	1645	2195
3123039	LF3123039	AVT2212GS2V	1.5	34.37	400/3/50	650x480x330	40.0	5/8"-16	3/8"-10	1070	1352	1645	2195

Ambient temperature +32°C - EN 12900

REFRIGERATION UNITS

SECOP AIR COOLED CONDENSING UNITS R134a HMBP CAPILLARY APPLICATION

SECOP



R134a
HMBP

LF Code	GEV code	Model	Compressors	HP	Displ. cm ³	Power supply Volt/Ph/Hz	Absorption Watt Ampere	Refrigeration power Watt				Dimensions mm L x D x H
								Evaporating temperature °C -15	-10	-5	0	
3058040	LF3058040	CUTL5G00000C	TL5G	1/6	5.1	187-254/1/50-60	166W 1.3A	175	218	266	321	380x300x230
3058041	LF3058041	CUNL6.1MF00C	NL6.1MF	1/5L	6.1	187-254/1/50-60	205W 1.6A	237	296	361	434	380x300x230
3058042	LF3058042	CUFR6G00000C	FR6G	1/5L	6.2	187-254/1/50-60	190W 1.2A	221	275	337	406	380x300x230
3058043	LF3058043	CUFR7.5G000C	FR7.5G	1/5	6.9	187-254/1/50-60	215W 1.3A	240	299	366	441	380x300x230
3058044	LF3058044	CUNL7.3MF00C	NL7.3MF	1/5	7.3	187-254/1/50-60	255W 1.9A	293	364	444	532	380x300x275
3058045	LF3058045	CUFR8.5G000C	FR8.5G	1/4L	7.95	187-254/1/50-60	253W 1.6A	281	346	419	499	380x300x230
3058046	LF3058046	CUNL8.4MF00C	NL8.4MF	1/4	8.4	187-254/1/50-60	290W 2.2A	331	409	495	591	380x300x275
3058047	LF3058047	CUFR10G0000C	FR10G	1/4	9.1	187-254/1/50-60	295W 2.0A	306	379	462	554	380x300x275
3058048	LF3058048	CUNL10MF000C	NL10MF	1/3L	10.1	187-254/1/50-60	369W 2.6A	427	528	643	772	450x350x300
3058049	LF3058049	CUNL11MF000C	NL11MF	1/3	11.1	187-254/1/50	384W 2.6A	457	562	681	812	450x350x300
3058050	LF3058050	CUFR11G0000C	FR11G	1/3L	11.2	187-254/1/50	346W 2.2A	379	463	555	660	380x300x275
3058051	LF3058051	CUSC12G0000C	SC12G	1/3	12.9	187-254/1/50-60	400W 2.6A	463	579	711	858	450x350x300
3058053	LF3058053	CUSC15G0000C	SC15G	3/8	15.3	187-254/1/50-60	474W 3.1A	530	664	810	967	450x350x300
3058052	LF3058052	CUSC15MFX00C	SC15MFX	3/8	15.3	198-254/1/50	479W 3.1A	546	687	841	1005	450x350x300
3058055	LF3058055	CUSC18G0000C	SC18G	1/2	17.7	187-254/1/50-60	558W 3.4A	629	784	957	1149	450x350x300
3058054	LF3058054	CUSC18MFX00C	SC18MFX	1/2	17.7	187-254/1/50-60	562W 3.8A	655	810	986	1181	450x350x300
3058056	LF3058056	CUSC21G0000C	SC21G	5/8	21.0	187-254/1/50-60	662W 3.5A	776	963	1169	1394	490x390x350

Ambient temperature +32°C - EN 12900

SECOP AIR COOLED CONDENSING UNITS R134a HMBP THERMOSTATIC VALVE APPLICATION

SECOP



R134a
HMBP

LF Code	GEV code	Model	Compressors	HP	Displ. cm ³	Power supply Volt/Ph/Hz	Absorption Watt Ampere	Refrigeration power Watt				Dimensions mm L x D x H
								Evaporating temperature °C -15	-10	-5	0	
3058057	605286	CUNL10MF000V	NL10MF	1/3L	10.1	187-254/1/50-60	369W 2.6A	427	528	643	772	450x350x300
3058058	605293	CUNL11MF000V	NL11MF	1/3	11.1	198-254/1/50	384W 2.6A	457	562	681	812	450x350x300
3058059	605294	CUSC15MFX00V	SC15MFX	3/8	15.3	198-254/1/50	479W 3.1A	546	687	841	1005	450x350x300
3058060	605295	CUSC18MFX00V	SC18MFX	1/2	17.7	198-254/1/50	562W 3.8A	655	810	986	1181	450x350x300
3058061	605296	CUSC21MFX00V	SC21MFX	5/8	21.0	198-254/1/50	644W 4.6A	787	965	1167	1392	490x390x350
3058062	LF3058062	CUGS26MFX00V	GS26MFX	3/4	26.3	198-254/1/50	778W 3.5A	1011	1249	1509	1785	490x390x350
3058063	LF3058063	CUGS34MFX00V	GS34MFX	1	33.8	198-254/1/50	995W 5.0A	1323	1624	1959	2325	530x430x375

Ambient temperature +32°C - EN 12900

REFRIGERATION UNITS

SECOP AIR COOLED CONDENSING UNITS R404a/R507 HMBP CAPILLARY APPLICATION

SECOP



R404a R507
HMBP

LF Code	GEV code	Model	Compressors	HP	Displ. cm ³	Power supply Volt/Ph/Hz	Absorption Watt Ampere	Refrigeration power Watt				Dimensions mm L x D x H
								-15	-10	-5	0	
3058012	LF3058012	CUTL4DL0000C	TL4DL	1/6	3.9	198-254/1/50	230W 1.5A	236	277	330	389	380x300x230
3058013	LF3058013	CUNL6.1MLX0C	NL6.1MLX	1/5	6.1	187-254/1/50-60	359W 2.5A	403	480	561	646	380x300x275
3058014	LF3058014	CUFR6DL0000C	FR6DL	1/4	6.2	198-254/1/50	390W 2.3A	399	473	556	645	450x350x300
3058015	LF3058015	CUNF7MLX000C	NF7MLX	1/4	7.3	187-254/1/50-60	467W 3.5A	517	620	731	851	450x350x300
3058016	LF3058016	CUSC10MLX00C	SC10MLX	1/3	10.3	187-254/1/50-60	592W 4.1A	651	773	902	1036	450x350x300
3058017	LF3058017	CUSC12MLX00C	SC12MLX	1/2	12.9	187-254/1/50-60	693W 4.6A	801	949	1107	1270	450x350x300
3058018	LF3058018	CUSC15MLX00C	SC15MLX	5/8	15.3	198-254/1/50	861W 5.1A	1015	1207	1416	1637	490x390x350
3058019	LF3058019	CUSC18MLX00C	SC18MLX	3/4	17.7	198-254/1/50	927W 4.9A	1179	1399	1638	1892	530x430x375

Ambient temperature +32°C - EN 12900

SECOP AIR COOLED CONDENSING UNITS R404a/R507 HMBP THERMOSTATIC VALVE APPLICATION

SECOP



R404a R507
HMBP

LF Code	GEV code	Model	Compressors	HP	Displ. cm ³	Power supply Volt/Ph/Hz	Absorption Watt Ampere	Refrigeration power Watt				Dimensions mm L x D x H
								-15	-10	-5	0	
3058020	605297	CUNF7MLX000V	NF7MLX	1/4	7.3	187-254/1/50-60	467W 3.5A	517	620	731	851	450x350x300
3058021	605298	CUSC10MLX00V	SC10MLX	1/3	10.3	187-254/1/50-60	592W 4.1A	651	773	902	1036	450x350x300
3058022	605299	CUSC12MLX00V	SC12MLX	1/2	12.9	187-254/1/50-60	693W 4.6A	801	949	1107	1270	450x350x300
3058023	605300	CUSC15MLX00V	SC15MLX	5/8	15.3	198-254/1/50	861W 5.1A	1015	1207	1416	1637	490x390x350
3058024	605301	CUSC18MLX00V	SC18MLX	3/4	17.7	198-254/1/50	927W 4.9A	1179	1399	1638	1892	530x430x375
3058025	LF3058025	CUGS21MLX00V	GS21MLX	1	21.2	198-254/1/50	1058W 5.0A	1405	1680	1975	2283	530x430x375
3058026	LF3058026	CUGS26MLX00V	GS26MLX	1.2	26.3	198-254/1/50	1315W 6.5A	1741	2058	2388	2724	530x430x375
3058027	LF3058027	CUGS34MLX00V	GS34MLX	1.5	33.8	198-254/1/50	1880W 10A	2365	2775	3202	3638	530x530x430

Ambient temperature +32°C - EN 12900

REFRIGERATION UNITS

SECOP AIR COOLED CONDENSING UNITS R404a/R507 LBP CAPILLARY APPLICATION

SECOP



R404a R507
LBP

LF Code	GEV code	Model	Compressors	HP	Displ. cm ³	Power supply Volt/Ph/Hz	Absorption Watt Ampere	Refrigeration power Watt				Dimensions mm L x D x H
								-35	-30	-20	-10	
3058028	LF3058028	CUTL4CL0000C	TL4CL	1/6	3.9	198-254/1/50	185W 1.4A	102	129	196	283	380x300x230
3058029	LF3058029	CUNL7CLX000C	NL7CLX	1/5	7.3	198-254/1/50	348W 2.1A	215	275	416	577	380x300x275
3058030	LF3058030	CUNL8.4CLX0C	NL8.4CLX	1/4	8.4	198-254/1/50	387W 2.5A	231	294	441	606	380x300x275
3058031	LF3058931	CUSC12CLX.2C	SC12CLX.2	3/8	12.3	198-254/1/50-60	599W 3.9A	323	414	626	872	450x350x300
3058032	LF3058032	CUSC15CLX.2C	SC15CLX.2	1/2	15.3	198-254/1/50-60	698W 4.4A	395	507	771	1078	450x350x300
3058033	LF3058033	CUSC18CL000C	SC18CL	5/8	17.7	198-254/1/50	762W 4.4A	452	583	888	1238	490x390x350

Ambient temperature +32°C - EN 12900

SECOP AIR COOLED CONDENSING UNITS R404a/R507 LBP THERMOSTATIC VALVE APPLICATION

SECOP



R404a R507
LBP

LF Code	GEV code	Model	Compressors	HP	Displ. cm ³	Power supply Volt/Ph/Hz	Absorption Watt Ampere	Refrigeration power Watt				Dimensions mm L x D x H
								-35	-30	-20	-10	
3058034	605288	CUNL8.4CLX0V	NL8.4CLX	1/4	8.4	198-254/1/50	387W 2.5A	231	294	441	606	450x350x275
3058035	605289	CUSC12CLX.2V	SC12CLX.2	3/8	12.3	198-254/1/50-60	599W 3.9A	323	414	626	872	450x350x300
3058036	605290	CUSC15CLX.2V	SC15CLX.2	1/2	15.3	198-254/1/50	698W 4.4A	395	507	771	1078	450x350x300
3058037	605291	CUSC21CL000V	SC21CL	3/4	21.2	198-254/1/50	863W 4.6A	511	650	969	1340	490x390x350
3058038	LF3058038	CUGS26CLX00V	GS26CLX	1.2	26.3	198-254/1/50	1114W 4.8A	690	887	1338	1842	530x430x375
3058039	LF3058039	CUGS34CLX00V	GS34CLX	1.7	33.8	198-254/1/50	1484W 7.4A	961	1222	1817	2481	530x430x375

Ambient temperature +32°C - EN 12900

REFRIGERATION UNITS

TECO COOLING UNITS



STA



STB

LF Code	GEV code	Model	Gas	Compressors	Power cooling	Defrosting	Volume refrigerated	Range	Weight	Dimensions mm	Hole mm	Power supply
3123070	LF3123070	STA PLR	R134a	NL7.3MF	370W (*)	Electric	700 l	-2/+8°C	19Kg	610x690x290	510x385	230V 50/60Hz
3058006	LF3058006	STA E-PLV	R290	EMC3119U	348W (*)	Hot gas	700 l	-2/+8°C	18Kg	610x690x290	510x385	230V 50Hz
3123071	605322	STA PHR	R134a	NL10MF	540W (*)	Electric	1400 l	-2/+8°C	22Kg	610x690x290	510x385	230V 50/60Hz
3058007	LF3058007	STA E-PHV	R290	EMC3134U	535W (*)	Hot gas	1400 l	-2/+8°C	21Kg	610x690x290	510x385	230V 50Hz
3123072	LF3123072	STA NLR	R404a	SC15CL	600W (*)	Electric	700 l	-15/-20°C	27Kg	610x690x320	510x385	230V 50Hz
3058008	LF3058008	STA E-NLV	R290	NEU2155U	560W (*)	Hot gas	700 l	-15/-20°C	26Kg	610x690x320	510x385	230V 50Hz
3123073	LF3123073	STA NHR	R404a	SC21CL	810W (*)	Electric	1400 l	-15/-20°C	32Kg	610x690x320	510x385	230V 50Hz
3058009	LF3058009	STA E-NHV	R290	NT2180U	820W (*)	Hot gas	1400 l	-15/-20°C	36Kg	610x690x320	510x385	230V 50Hz
3123074	LF3123074	STB PLR Rh	R134a	NL7.3MF	370W (*)	Electric	1-4 Doors	-2/+8°C	25Kg	490x285x630	390x305	230V 50/60Hz
3058010	LF3058010	STB E-PLV Rh	R290	EMC3119U	348W (*)	Hot gas	1-4 Doors	-2/+8°C	22Kg	490x285x630	390x305	230V 50Hz
3123075	LF3123075	STB PLR Lh	R134a	NL7.3MF	370W (*)	Electric	1-4 Doors	-2/+8°C	25Kg	490x285x630	390x305	230V 50/60Hz
3058011	LF3058011	STB E-PLV Lh	R290	EMC3119U	348W (*)	Hot gas	1-4 Doors	-2/+8°C	22Kg	490x285x630	390x305	230V 50Hz

(*)Room temp.+35°C - Evap.temp.-8°C(NT)-28°C(LT) - Cond.temp.+55°C

TECO GRID FOR COOLING UNITS



LF Code	GEV code	Description	Dimensions mm
3185133	LF3185133	plastic grid for evaporator air flow direction STB	50x122
3185134	LF3185134	stainless steel grid for STB	330x400
3185135	LF3185135	stainless steel grid for STA	525x400

REFRIGERATORS EVAPORATORS

VENTILATED EVAPORATORS FOR COUNTER



EVC



EVP

LF Code	GEV code	Model	Dimensions mm L x D x H	Axial fan no. x ø mm	Refrigeration power Watt DT1=8K
3123019	750778	EVC1N	400x83x365	2x120	312
3123020	750779	EVC2N	400x83x415	2x120	384
3123021	LF3123021	EVC3N	400x83x465	2x120	432
3123022	LF3123022	EVC4N	400x83x515	2x120	480
3123023	750781	EVP1N	400x83x365	2x120	312
3123024	750780	EVP2N	400x83x415	2x120	384

EVC = Central version for counters EVP = Wall mounted version for counters and cabinets

TRAYS FOR EVAPORATORS EVC/EVP



LF Code	GEV code	For models	Dimension
3015041	701959	all	410x90 mm

RIVACOLD VENTILATED EVAPORATORS FOR COUNTER



LF Code	GEV code	Model	Dimensions mm L x D x H	Axial fan no. x ø mm	Refrigeration power Watt DT1=10K	Surface dm ³
7108900	750796	RM70/348C	390x75x430	2x120	458	1.4
3123160	LF3123160	RM70/349C	390x75x400	2x120	546	1.86
3123161	LF3123161	RM70/350C	390x75x460	2x120	607	2.33
3123123	LF3123123	RM70/420C	440x75x510	2x120	657	2.79

C = Central version for counters

RIVACOLD RM TRAYS FOR EVAPORATORS



LF Code	GEV code	For models	Dimension
3016005	699209	RM70/348-RM70/349-RM70/350	422x84 mm
3016009	LF3016009	RM70/420	457x80 mm

REFRIGERATORS EVAPORATORS

FRIGA-BOHN VENTILATED EVAPORATORS FOR COUNTER



EVBM



EVBC

LF Code	GEV code	Model	Dimensions mm L x D x H	Tangential fan no. x ø - length mm	Refrigeration power Watt DT1=8K
3123102	LF3123102	EVBM2	370x80x440	1x45 - 1800	320
3123103	LF3123103	EVBM3	490x80x440	1x45 - 1800	380
3123104	LF3123104	EVBC1	370x89x440	2x45 - 600	240
3123105	LF3123105	EVBC2	490x89x440	2x45 - 1200	410

EVBM = wall mounted version EVBC = central version

LU-VE SHP UNIT COOLERS



LF Code	GEV code	Model	Dimensions mm L x D x H	Axial fan no. x ø mm	Refrigeration power Watt DT1=10K	Electric defrosting (*) Model - Watt	Fin spacing mm
3123099	750787	SHP9	390x352x102	1x154	580	RCE 051 - 250	4.3
3123101	LF3123101	SHP11	664x335x102	2x154	940	RCE 061 - 500	4.3
3123100	LF3123100	SHP19	664x335x102	2x154	1160	RCE 061 - 500	4.3

(*) heating elements are not included

HEATING ELEMENTS FOR UNIT COOLERS LU-VE SHP



RCE 051



RCE 061

LF Code	GEV code	Model	Power Watt	Length mm	Width mm
3455430	LF3455430	RCE 051	250	345	50
3455431	LF3455431	RCE 061	500	630	50

REFRIGERATORS EVAPORATORS

MODINE EVS UNIT COOLERS ECO



LF Code	GEV code	Model	Dimensions mm L x D x H	Axial fan no. x ø mm	Refrigeration power Watt DT1=8K	Electric defrosting Watt	Fin spacing mm
5077921	LF5077921	EVS 061ED	411x435x120+(34 drain)	1X200	530	480	3.5/7

SER CR UNIT COOLERS



CR2ED / CR3ED



CR4ED / CR5ED



CR6ED

LF Code	GEV code	Model	Dimensions mm L x D x H	Axial fan no. x ø mm	Refrigeration power Watt DT1=8K	Electric defrosting Watt	Fin spacing mm
3123065	LF3123065	CR2ED	405x440x125	1x200	390	250	4.5/9
3123066	LF3123066	CR3ED	505x440x125	1x200	460	350	4.5/9
3123067	LF3123067	CR4ED	655x440x125	2x200	1040	500	4.5/9
3123068	LF3123068	CR5ED	855x440x125	2x200	1100	700	4.5/9
3123069	LF3123069	CR6ED	1205x440x125	3x200	1390	900	4.5/9

SER CR BT UNIT COOLERS



CR2ED BT / CR3ED BT



CR4ED BT / CR5ED BT



CR6ED BT

LF Code	GEV code	Model	Dimensions mm L x D x H	Axial fan no. x ø mm	Refrigeration power Watt DT1=8K	Electric defrosting Watt	Fin spacing mm
3123155	LF3123155	CR2ED BT	405x440x125	1x200	330	250	5.5/11
3123156	LF3123156	CR3ED BT	505x440x125	1x200	400	350	5.5/11
3123157	LF3123157	CR4ED BT	655x440x125	2x200	900	500	5.5/11
3123158	LF3123158	CR5ED BT	855x440x125	2x200	960	700	5.5/11
3123159	LF3123159	CR6ED BT	1205x440x125	3x200	1200	900	5.5/11

UNIVERSAL PTC CARTRIDGE HEATING ELEMENTS



LF Code	GEV code	Power supply	Cartridge length mm	ø mm	Evaporation capacity	Power	Power in absence of water	Coupling	Cable length mm
3455466	417570	230V	120	12	0.11 Kg/h	110W	10W	3/8"G	1000
3455467	417571	230V	180	12	0.2 Kg/h	230W	20W	3/8"G	1000
3455468	417572	230V	240	12	0.3 Kg/h	330W	30W	3/8"G	1000

HEATING ELEMENTS CARTER



LF Code	GEV code	Power supply	Power	ø min. mm	ø max. mm
3455469	696599	230V	35W	110	180
3455470	696600	230V	45W	150	290
3455476	696601	230V	65W	210	330

HEATING ELEMENTS ETCHED FOIL IN SILICONE



LF Code	GEV code	Power supply	Power	Dimension mm	Thermostat
3355661	416315	230V	80W	470x65	100°C
3355689	418855	230V	100W	210x60	130°C
3355688	418856	230V	200W	210x117	130°C
5039574	419331	230V	700W	290x300	

with adhesive side

HEATING ELEMENTS

HEATING ELEMENTS WITH METAL MESH



Photo	LF Code	GEV code	Hot zone length mm	Cable length mm	Volt	Watt	Braiding coat	Max temperature (°C)	Suitable for
2	3355925	416324	3010	1500+1500	230V	43	CuSt	120	MARENO
4	3355916	418755	3330	1000+1000	230V	100	CuSt	120	SAGI-ANGELO PO
5	3355974	LF3355974	3500	2700+2700	230V	100	CuSt	120	POLARIS
1	3355968	LF3355968	4200	600+600	230V	42	Fiberglass	110	POLARIS
1	3355969	LF3355969	4480	1000+1000	230V	44.8	Fiberglass	110	POLARIS
3	3355955	418592	4400	1900+1900	230V	52	CuSt	120	FRIULINOX
2	3355926	416323	4510	1500+1500	230V	45.2	CuSt	120	MARENO
6	3355970	416747	4600	1000+1000	230V	46	CuSt	120	POLARIS
4	3355919	419109	4700	1150+1150	230V	150	CuSt	120	SAGI-ANGELO PO
3	3355956	418591	5500	1900+1900	230V	68	CuSt	120	FRIULINOX
1	3355973	LF3355973	6400	600+600	230V	64	Fiberglass	110	POLARIS

SILICONE HEATING ELEMENTS



LF Code	GEV code	Hot zone length mm	Cable length mm	Volt	Watt	Silicone insulation ø mm	Suitable for
3355684	418807	1210	1755+1755	230	18	3	FAGOR-CORECO
3355691	S0601475	1500	500+500	230	65	3	INFRICO
3355681	LF3355681	1980	600+600	230	9	3	FAGOR-CORECO
3355690	LF3355690	2300	300+300	230	45	3	INFRICO
3355683	418809	2680	1740+1740	230	41	3	FAGOR-CORECO
3355698	420372	3000	500+500	230	54	3	
3355699	LF3355699	3500	500+500	230	63	3	
3355700	420373	4000	500+500	230	72	3	
3355705	LF3355705	4500	500+500	230	81	3	
3355706	420374	5000	500+500	230	90	3	
3355728	LF3355728	5500	500+500	230	99	3	
3355932	416311	6000	800+800	230	46	3	DEXION
3355729	420375	6000	500+500	230	108	3	
3355730	417805	6500	500+500	230	117	3	
3355734	420376	7000	500+500	230	126	3	
3355735	LF3355735	7500	500+500	230	135	3	
3355738	420377	8000	500+500	230	144	3	

HEATING ELEMENTS FOR CONDENSATION OUTLET OF SILICONE



LF Code	GEV code	Hot zone length mm	Cable length mm	Volt	Watt	Suitable for
3356180	416336	500	2400	230	16	
3355967	419345	970	1500	230	30	POLARIS
3455043	LF3455043	1000	500	230	20	STUDIO 54-WHIRLPOOL
3355941	417518	1000	1000	230	50	
3355964	S0063312	1870	1300	230	28.8	POLARIS
3355942	417519	2000	1000	230	100	CODIGEL-CORECO
3355943	417520	3000	1000	230	150	
3355944	417521	4000	1000	230	200	
3355945	417522	5000	1000	230	250	
3355946	417523	6000	1000	230	300	

HEATING ELEMENTS FOR UNIT COOLERS LU-VE SHP



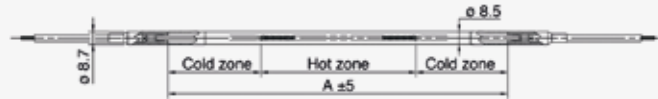
RCE 051

RCE 061

LF Code	GEV code	Model	Power Watt	Length mm	Width mm
3455430	LF3455430	RCE 051	250	345	50
3455431	LF3455431	RCE 061	500	630	50

HEATING ELEMENTS

SHEATHED TUBULAR FLEXIBLE HEATING ELEMENTS



LF Code	GEV code	Model	Length A mm	Hot zone length mm	Watt
3455432	LF3455432	RSV-050	500	486	150
3455433	LF3455433	RSV-060	600	586	200
3455434	LF3455434	RSV-100	1000	860	350
3455435	LF3455435	RSV-125	1250	1110	450
3455436	LF3455436	RSV-150	1500	1360	550
3455437	LF3455437	RSV-175	1750	1610	600
3455438	LF3455438	RSV-200	2000	1860	700
3455439	LF3455439	RSV-225	2250	2110	800
3455440	LF3455440	RSV-250	2500	2360	900
3455441	LF3455441	RSV-275	2750	2610	1000
3455442	LF3455442	RSV-300	3000	2860	1100
3455443	LF3455443	RSV-325	3250	3110	1200
3455444	LF3455444	RSV-350	3500	3360	1300
3455455	LF3455455	RSV-375	3750	3610	1400
3455445	LF3455445	RSV-400	4000	3860	1500
3455446	LF3455446	RSV-450	4500	4360	1700
3455447	LF3455447	RSV-500	5000	4860	1900
3455448	LF3455448	RSV-550	5500	5360	2100
3455449	LF3455449	RSV-600	6000	5860	2200
3455450	LF3455450	RSV-650	6500	6360	2400
3455451	LF3455451	RSV-725	7250	7110	2650

DRIP TRAYS FOR REFRIGERATION

CONDENSATE EVAPORATION TRAYS UNIVERSAL



Photo	LF Code	GEV code	Capacity	Dimensions mm	Features
1	3015079	750430	1.65 L	294x35x200	vertical
2	3015080	LF3015080	1.5 L	325x200x35	horizontal
3	3016004	750431	2.8 L	300x140x100	horizontal

with hole for cartridge element PTC(fitting 3/8"G)

CONDENSATE EVAPORATION TRAYS



LF Code	GEV code	Model	Capacity	Volt	W	A	Evaporating capacity	Dimensions	Features
3016011	750001	BDE/16	1.5 l	230	160	0.7	2.3 l/day	315x120 mm	
3016007	750002	BDE/30	1.5 l	230	300	1.3	4.5 l/day	315x120 mm	
3015042	750807	D70	1.5 l	230	300	1.3	4.5 l/day	315x120 mm	with PTC control
3016006	750786	CP802	2.9 l	230	800	3.3	22.7 l/day	330x180xh80(135) mm	with high limit safety and float switch operation
3016010	LF3016010	CP804	4.2 l	230	1000	4.8	26.43 l/day	330x180xh101(180) mm	with high limit safety and float switch operation
3015086	750795	CP807	7.1 l	230	1000	4.8	37.85 l/day	330x270xh101(180) mm	with high limit safety and float switch operation

REFRIGERATORS CONDENSERS

COUNTERFLOW WATER COOLED CONDENSERS



LF Code	GEV code	Model	Dimensions mm L x D x H	Refrigeration power Watt DT1=15K	gas pipe ø mm	water pipe ø mm
3123061	750798	CHS1	110x135x180	1000	6	10
3123060	LF3123060	CHS2	130x160x220	2000	8	10
3123062	LF3123062	CHS3	162x200x220	3000	8	10
3123063	LF3123063	CHS4	180x240x225	4000	10	12

LU-VE AIR COOLED CONDENSERS



STFT



STN

LF Code	GEV code	Model	Dimensions mm L x D x H	Refrigeration power Watt DT1=15K	Fan diameter no. x ø mm	Surface m ²	Plastic fan shrouds
5021793	S0085223		140x60x185	655			
3123093	LF3123093	STFT 12118	190x30x185	470	1x170	0.55	CF18
3123088	LF3123088	STFT 12218	190x60x185	745	1x170	1.1	CF18
3123092	LF3123092	STFT 14121	220x30x215	665	1x200	0.75	CF21
3123089	750797	STFT 14221	220x60x215	1000	1x200	1.5	CF21
3123125	LF3123125	STFT 16124	250x30x245	925	1x230	1	CF24
3123090	750409	STFT 16224	250x60x245	1385	1x230	2	CF24
3068901	750249	STN 8324	290x90x245	1125	1x230	2.66	C24
3123091	S0089257	STFT 18227	280x60x275	1935	1x254	2.5	CF27

PLASTIC FAN SHROUDS



LF Code	GEV code	Model
3123094	LF3123094	CF18
3123095	LF3123095	CF21
3123096	LF3123096	CF24
3123097	S0093068	CF27

REFRIGERATORS CONDENSERS

AIR COOLED CONDENSERS



LF Code	GEV code	Model	Dimensions mm L x D x H	Refrigeration power Watt DT1=15K	Fan diameter no. x ø mm	Fin spacing mm
3030005	LF3030005	CCV1024/3	300x130x256	1170	1x230	3.6
3123064	LF3123064	CCV1024/4	300x130x256	1740	1x230	3.6
3123006	LF3123006	CCV1127/4	320x135x280	1930	1x250	3.6
3123009	LF3123009	CCV1438/4	410x165x355	3539	1x300	3.6
3123010	LF3123010	CCV1643/4	520x162x415	5810	1x350	3.2
3123011	LF3123011	CCV1258/3	650x140x308	4380	2x250	3.2
3123012	LF3123012	CCV1258/4	650x160x308	5240	2x250	3.2
3123014	LF3123014	CCV1470/4	780x185x360	7500	2x300	3.2
3123015	LF3123015	CCV1682/4	908x173x420	10050	2x350	3.2

AXIAL MOTOR FANS

AXIAL FANS



1



2



3

Photo	LF Code	GEV code	Model	Diameter mm	Volt	Hertz	Watt	rpm	Suitable for
1	3240666	602247	NMB 4715MS-23W-B5AK	114	230	50/60	15	2600	IFI-DSL
2	3240686	LF3240686	EBM 4656 TZ	108	230	50	19	2600	LINDE
3	3240685	602063	EBM 4586 TZR	108	230	50	13	2600	LINDE

AXIAL FANS COMPACT



LF Code	GEV code	Model	Manufacturer	Dimensions mm L x D x H	Volt	Hertz	Watt	rpm	Air flow m3/h	Bearing type
3540001	LF3540001	MC30151V2-000U-A99	SUNON	30x30x15	12Vdc	---	0.45	7000	8	vapo
7108241	LF7108241	EE60251S1-1000U-999	SUNON	60x60x25	12Vdc	---	1.56	4500	40	sleeve
3540038	601154	AD0612HB-A71GL	ADDA	60x60x25	12Vdc	---	2.76	4500	40	ball
3240630	LF3240630	EE60252B3-000U-A99	SUNON	60x60x25	24Vdc	---	0.65	3000	24	ball
3540028	601679	MF60252V1-A99-A	SUNON	60x60x25	24Vdc	---	1.25	4500	40	vapo
3540027	LF3540027	MA2062-HVL	SUNON	60x60x25	230V	50/60	4	4100	30	vapo
3540040	601670	AD08012HB-257104	ADDA	80x80x25	12Vdc	---	3	3000	69	ball
5004018	LF5004018	PF80251V3-000U-A99	SUNON	80x80x25	12Vdc	---	2.7	4200	90	vapo
3540041	601439	AD08024HB-257104	ADDA	80x80x25	24Vdc	---	3.84	3100	66	ball
3540042	601130	AA8252HB-AT	ADDA	80x80x25	230	50/60	15	2300	29	ball
3240502	LF3240502	SF23080AT-2082HBL.GN	SUNON	80x80x25	230	50/60	14	2450	31	ball
3540072	602322	A08A23HWSF00	COSTECH	80x80x25	230	50/60	16	2600	32	sleeve
3540003	602244	MA2082-HVL.GN	SUNON	80x80x25	230	50/60	4.6	3200	68	vapo
3540043	601081	AA8382HB-AT	ADDA	80x80x38	230	50/60	13.6	2400	41	ball
3240337	LF3240337	SF23080A-2083HBL.GN	SUNON	80x80x38	230	50/60	18	2400	41	ball
3540056	LF3540056	EE92251B3-000U-A99	SUNON	92x92x25	12Vdc	---	1.3	2400	67	ball
3540044	601747	AD0912HB-A71GL	ADDA	92x92x25	12Vdc	---	3.0	2900	83	ball
3540045	601680	AD0924HB-A71GL	ADDA	92x92x25	24Vdc	---	3.6	2900	83	ball
3540046	601055	AA9252HB-AT	ADDA	92x92x25	230	50/60	13.4	2000	47	ball
3240503	LF3240503	SF23092A-2092HBT.GN	SUNON	92x92x25	230	50/60	14.5	2350	51	ball
1540001	LF1540001	PMD2409PMB1-A(2).GN	SUNON	92x92x38	24Vdc	---	12.2	4900	204	ball
3540047	601158	AD1212HB-A71GL	ADDA	120x120x25	12Vdc	---	4.44	2200	149	ball
3540048	601159	AD1224HB-A71GL	ADDA	120x120x25	24Vdc	---	3.12	2000	149	ball
3340156	LF3340156	DP201AT-2212HBT.GN	SUNON	120x120x25	230	50/60	19	2150	112	ball
3540049	601131	AA1252MB-AT	ADDA	120x120x25	230	50/60	21.6	2200	110	ball
3540050	601712	AD1212HB-F51	ADDA	120x120x38	12Vdc	---	4.7	2800	178	ball
3340133	LF3340133	PMD1212PMB2-A	SUNON	120x120x38	12Vdc	---	14.4	3800	289	ball
3540012	LF3540012	PMD1212PMB1-A(2).GN	SUNON	120x120x38	12Vdc	---	19.2	4200	323	ball
3540051	601705	AD1224HB-F51	ADDA	120x120x38	24Vdc	---	6.2	2800	178	ball
4088034	601604	AA1282HS-AW	ADDA	120x120x38	230	50/60	16	2600	141	sleeve
7121448	601080	AA1282HB-AT	ADDA	120x120x38	230	50/60	16	2600	141	ball
3540073	602323	A12B23HVBWF0	COSTECH	120x120x38	230	50/60	20	2750	148	ball
3240501	601692	DP200A-2123XBT.GN	SUNON	120x120x38	230	50/60	22	2850	165	ball
3540052	601457	AD1312UB-F51	ADDA	127x127x38	12Vdc	---	12.72	3500	328	ball
3540060	601132	FP-108C	COMMONWEALTH	162x150x55	230	50/60	46	2700	356	ball
3240504	602271	C17B23HTBF00	COSTECH	172x150x38	230	50/60	27	2850	300	ball
3540053	601706	AK1652HB	ADDA	172x150x51	230	50/60	59.8	2600	292	ball
3340157	602263	A2175-HBT-TC.GN	SUNON	172x150x51	230	50/60	25	2800	345	ball

ACCESSORIES FOR COMPACT AXIAL FANS



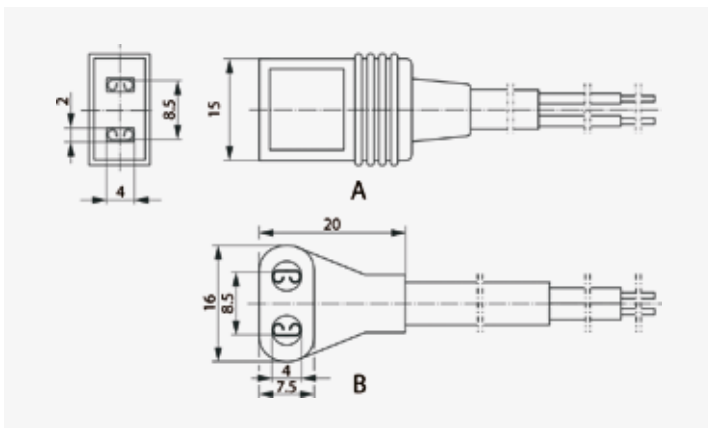
LF Code	GEV code	Description
3240880	LF3240880	Rubber anti-vibration
3540002	LF3540002	Filter fan guards 119x119 mm

GUARD GRILLS FOR COMPACT AXIAL FANS EBM



LF Code	GEV code	Dimensions mm	Distance between fixing holes mm
3240612	LF3240612	80x80	71.5
3240611	LF3240611	92x92	82.5
3240600	692497	119x119	104.8

CABLES FOR COMPACT AXIAL FANS



LF Code	GEV code	Length mm	Features	Connection	Application
3240521	551318	610	Angled plug (B)	2.8x0.5	DC
3805036	LF3805036	1500	Straight plug (A)	2.8x0.5	AC
3805037	550898	2000	Straight plug (A)	2.8x0.5	AC
2101758	LF2101758	3000	Straight plug (A)	2.8x0.5	AC

AXIAL MOTOR FANS

EBM-PAPST AXIAL FANS COMPACT

ebmpapst

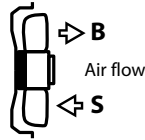


LF Code	GEV code	Model	Dimensions mm LxHxD	Volt	Hertz	Watt	rpm	Air flow m ³ /h	Connection	Temperat. range °C	Bearing type
1240052	LF1240052	612NGH	60x60x25	12Vdc	---	2.6	5600	46	2 wires L=310 mm	-20..+70	sleeve
1240053	LF1240053	8412N	80x80x25	12Vdc	---	2	3100	69	2 wires L=310 mm	-20..+70	ball
1240140	602061	8414NM	80x80x25	24Vdc	---	1.4	2600	58	2 wires L=310 mm	-20..+70	ball
1240208	LF1240208	8414N	80x80x25	24Vdc	---	2	3100	69	2 wires L=310 mm	-20..+70	ball
3540034	601908	8550N	80x80x38	230	50	12	2700	50	2 wires L=310 mm	-10..+70	sleeve
3540037	601826	8556V	80x80x38	230	50	12	2700	50	2 flat plug 2.8x0.5	-40..+90	ball
3240515	601038	8556N	80x80x38	230	50	12	2700	50	2 wires L=310 mm	-40..+90	ball
3540009	602234	3412N	92x92x25	12Vdc	---	2.2	2700	84	2 wires L=310 mm	-20..+70	ball
3240518	601074	3414N	92x92x25	24Vdc	---	2.3	2700	84	2 wires L=310 mm	-20..+70	ball
3240660	601082	3956	92x92x25	230	50	11	2650	59	2 flat plug 2.8x0.5	-40..+80	ball
2102290	LF2102290	3856U	92x92x38	230	50	9	1950	54	2 wires L=1500 mm	-40..+90	ball
3240613	601633	3656	92x92x38	230	50	12	2700	75	2 wires L=310 mm	-40..+75	ball
5074596	602241	4412FGM	119x119x25	12Vdc	---	3.2	2400	140	2 wires L=310 mm	-20..+75	sleeve
3540023	602245	4412F	119x119x25	12Vdc	---	5.3	2900	170	2 wires L=310 mm	-20..+60	ball
3540035	602053	4414F	119x119x25	24Vdc	---	5	2900	170	2 wires L=310 mm	-20..+60	ball
3240517	LF3240517	9956MR	119x119x25	230	50	10	2250	104	2 flat plug 2.8x0.5	-40..+80	ball
3240614	601634	9956	119x119x25	230	50	14	2450	117	2 flat plug 2.8x0.5	-40..+70	ball
7108502	LF7108502	4314L	119x119x32	24Vdc	---	1.2	1550	95	2 wires L=310 mm	-20..+75	ball
5082543	LF5082543	4314R	119x119x32	24Vdc	---	5	2800	170	cable with connector	-20..+75	ball
1240313	602157	4414ML	119x119x38	24Vdc	---	3.2	3000	168	2 wires L=310 mm	-20..+80	ball
3540036	601656	4114NHH	119x119x38	24Vdc	---	12.4	5000	260	2 wires L=310 mm	-20..+65	ball
3340129	601754	4856Z	119x119x38	230	50	13	1700	100	2 flat plug 2.8x0.5	-40..+75	ball
3540008	LF3540008	ACi 4420 MLU-008	119x119x38	230	50/60	1.7	1850	100	cable with connector	-20..+75	ball
3540058	601482	4580ZW	119x119x38	230	50	13	1900	115	2 wires L=300 mm	-10..+65	sleeve
3540004	LF3540004	4586Z	119x119x38	230	50	13	1900	115	2 flat plug 2.8x0.5	-40..+75	ball
1240390	601089	4650N	119x119x38	230	50/60	19	2650	160	2 flat plug 2.8x0.5	-10..+55	sleeve
3240519	601458	4656N	119x119x38	230	50	19	2650	160	2 flat plug 2.8x0.5	-40..+85	ball
2102517	LF2102517	4656NU	119x119x38	230	50	19	2650	160	2 flat plug 2.8x0.5	-40..+85	ball
3340001	601030	4656Z	119x119x38	230	50	19	2650	160	2 flat plug 2.8x0.5	-40..+75	ball
3540032	LF3540032	4656ZW	119x119x38	230	50	19	2650	160	2 wires L=310 mm	-40..+75	ball
2101757	602257	4656ZU	119x119x38	230	50	19	2650	160	2 flat plug 2.8x0.5	-40..+85	ball
5063246	602211	4656ZWU	119x119x38	230	50	19	2650	160	2 wires L=310 mm	-40..+85	ball
3540069	LF3540069	ACi 4420 HU-014	119x119x38	230	50/60	3.9	3000	160	cable with connector	-20..+75	ball
3540071	LF3540071	ACi 4420 HH	119x119x38	230	50/60	4.6	3300	180	2 flat plug 2.8x0.5	-20..+75	ball
3240563	601635	5958	127x127x38	230	50	18	2750	180	2 flat plug 2.8x0.5	-30..+60	ball
3540033	601793	5656S	135x135x38	230	50	30	2700	235	2 flat plug 2.8x0.5	-35..+70	ball
3240634	601113	7056ES W2E142-BB01-01	172x150x38	230	50	29	2800	330	2 flat plug 2.8x0.5	-25..+55	ball
3240520	601088	7855ES W2S130-AA03-01	150x55	230	50/60	45	2800	325	2 wires L=330 mm	-25..+50	ball
5101588	LF5101588	W2S130-AA03-08	150x55	230	50/60	45/39	2800	325	2 wires L= 1050 mm	-25..+50	ball
3240593	601631	7450ES W2S130-BM03-01	150x55	230	50	47	2700	380	2 wires L=330 mm	-25..+50	ball
3340130	601755	6058ES W2E143-AA09-01	172x51	230	50	24	2800	375	2 flat plug 2.8x0.5	-25..+70	ball
3540013	S0209836	W2E250-HQ52-12	280x280x80	230	50	136	2500	1230	terminal strip with capacitor 3µF	-40..+80	ball

AXIAL MOTOR FANS

EBM AXIAL FANS

ebmpapst



LF Code	GEV code	Model	Diameter mm	Volt	Hertz	Watt	Ampere	rpm	Capacitor μ F	Air direction
3240594	LF3240594	A4E250-AA04-01	250	230	50/60	32	0.15	1420	1	S
5065202	LF5065202	A4S250-AH02-01	250	230	50/60	69	0.53	1390	-	S
3340169	S5100111	A4E300-AS72-01	300	230	50/60	72	0.32	1380	2	S
3540054	602152	A4E300-AS72-19	300	230	50/60	72	0.32	1320	2	S
3340054	S2000542	A4D300-AS34-01	300	400	50/60	68	0.14	1300	-	S
3240488	601622	A4E315-AC08-18	315	230	50	95	0.42	1370	3	B
3240484	601623	A4E315-AC08-19	315	230	50/60	95	0.42	1370	3	S
2102390	LF2102390	A4E315 AS20-01	315	230	50/60	110	0.52	1350	3	S
7102134	LF7102134	S4E315 DB74-09	315	230	50/60	100	0.45	1340	3	S
5073754	S0062824	A6E330-AA02-10	330	230	50/60	70	0.33	910	2	S
3240549	601625	A4E330-AP18-01	330	230	50/60	110	0.54	1400	4	S
2102318	LF2102318	A4E330 AB16-19	330	230	50/60	100	0.45	1350	4	B
3340053	602010	A4E350-AQ02-09	350	230	50/60	180	0.8	1420	6	S
3540011	LF3540011	A4E350-AN02-01	350	230	50	165	0.73	1340	4	S
3240486	LF3240486	A4E400-AP02-01	400	230	50/60	160	0.73	1430	6	S
2101975	S0211705	A4E400-AP02-02	400	230	50/60	160	0.73	1430	6	B
2101782	LF2101782	A4E400-AQ12-02	400	230	50	150	0.66	1400	5	B
3340147	S0209404	A4D400-AP12-01	400	400	50/60	135	0.44	1450	-	S
3240388	602045	A4E450-AP01-01	450	230	50/60	245	1.1	1400	8	S
3340148	LF3340148	A4D450-AP01-01	450	400	50/60	200	0.48	1380	-	S
3340146	601628	A4D500-AM03-01	500	400	50	720-550	1.41-0.95	1390-1180	-	S

BASKET GUARD GRILLS FOR EBM FANS

ebmpapst



1



2

LF Code	GEV code	Fan diameter mm	Height mm	Distance between fixing holes mm	Version	Photo
3240557	601954	250	62	300	Sucking	1
3240558	LF3240558	250	45	300	Blowing	1
2102231	S6000394	300	57	360	Sucking	2
3240560	601949	300/315	65	368	Sucking	1
3240559	LF3240559	330	85	405	Sucking	2
3240561	S0204968	350	85	422	Blowing/Sucking	2
2102235	LF2102235	400	80	470	Blowing/Sucking	2
3240562	601956	400	80	490	Blowing/Sucking	2
3240492	601957	450	85	522	Blowing/Sucking	2
3085001	LF3085001	450	95	522	Blowing/Sucking	2
3340145	601953	500	92.5	565	Blowing/Sucking	2

AXIAL MOTOR FANS

DUCATI ENERGIA CAPACITORS FOR SINGLE-PHASE ASYNCHRONOUS MOTORS WITH FASTON TERMINAL BLOCK 6.3 mm

DUCATI
energia s.p.a.

Voltage: 400V ~ 10000h cl.B 25/85/21
425V ~ 10000h cl.B 25/85/21
450V ~ 3000h cl.C 25/85/21
475V ~ 3000h cl.C 25/85/21

Approved range: 45÷60µF
2÷40µF
45÷60µF
2÷40µF



Series 4.16.10

EN 60252-1



LF Code	GEV code	µF	ø x H mm
3068001	LF3068001	2	28x55
3068002	LF3068002	2.5	28x55
3068003	LF3068003	3	28x55
3068004	LF3068004	3.15	28x55
3068005	LF3068005	3.5	28x55
3068006	LF3068006	4	28x55
3068007	LF3068007	4.5	28x55
3068008	LF2102878	5	28x55
3068009	LF3068009	6	32x55
3068010	365231	6.3	32x55
3068012	LF3068012	7	32x55
3068014	365232	8	32x55
3068015	LF3068015	9	36x58
3068016	365233	10	36x58
3068017	LF3068017	11	36x58
3068018	LF3068018	12	36x70
3068019	LF3068019	12.5	36x70
3068022	LF3068022	14	36x70
3068023	LF3068023	15	36x70
3068024	LF2102882	16	36x70
3068026	LF3068026	18	40x70
3068027	LF2102887	20	40x70
3068154	LF3068154	22	40x92
3068155	LF3068155	25	40x92
3068156	LF3068156	30	40x92

Tolerance capacity ±5% Operational frequency 50/60Hz Elbow M8

AXIAL MOTOR FANS

DUCATI ENERGIA CAPACITORS FOR SINGLE-PHASE ASYNCHRONOUS MOTORS WITH UNIPOLAR CABLES 150 mm

DUCATI
energia s.p.a.

Voltage: 425V ~ 30000h cl.A 25/85/21
475V ~ 10000h cl.B 25/85/21
500V ~ 3000h cl.C 25/85/21

Approved range: 1÷45µF
1÷70µF
1÷25µF



Series 4.16.17

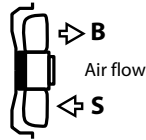
EN 60252-1


LF Code	GEV code	µF	ø x H mm
3340143	365173	1	25x49
3240556	LF3240556	1.5	25x49
3240555	365170	2	25x49
3340175	LF3340175	2.5	28x55
3240554	365137	3	28x55
3340176	LF3340176	3.5	28x55
3240553	LF3240553	4	28x55
3240552	365172	5	32x55
3240548	LF3240548	6	32x55
3340177	365203	6.3	32x55
3068157	LF3068157	7	36x58
3240547	LF3240547	8	36x58
3068158	LF3068158	9	36x70
3340178	LF3340178	10	36x70
3068159	LF3068159	12	40x70
3340179	LF3340179	12.5	40x70
3068160	LF3068160	14	40x70
3068161	LF3068161	15	40x70
3340180	LF3340180	16	45x70
3340181	LF3340181	18	40x92
3340182	LF3340182	20	45x70
3068162	LF3068162	22	40x92
3068163	LF3068163	25	45x92
3068164	LF3068164	30	45x92

Tolerance capacity ±5% Operational frequency 50/60Hz Elbow M8

AXIAL MOTOR FANS

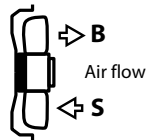
WEIGUANG AXIAL FANS



LF Code	GEV code	Model	Diameter mm	Volt	Hertz	Watt	rpm	Air direction	Air flow m3/h
3540068	LF3540068	YWF4E-250S	250	230	50	50	730	S	730
3240654	601880	YWF4E-300S	300	230	50	85	1350	S	1664
5098706	LF5098706	YWF4E-300B	300	230	50	85	1350	B	1664
3240655	601881	YWF4E-315S	315	230	50	95	1350	S	2050
3240656	601882	YWF4E-330S	330	230	50	100	1300	S	2550
3240657	601883	YWF4E-350S	350	230	50	126	1420	S	2973
3240658	601884	YWF4E-400S	400	230	50	180	1380	S	4400
3540061	601885	YWF6E-450S	450	230	50	150	920	S	3220

Complete with basket guard grill, electric box and starting capacitor

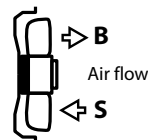
EBM AXIAL FANS



LF Code	GEV code	Model	Diameter mm	Volt	Hertz	Watt	Ampere	rpm	Air flow rate m3/h	Air direction
3540005	602049	A4E300-AS72-06	300	230	50/60	72	0.32	1320	1130	S
3540006	602048	S4E350-AN02-43	350	230	50	165	0.73	1340	2160	S
3540007	602046	A4E400-AP02-12	400	230	50/60	160	0.73	1430	2675	S

Complete with basket guard grill, electric box and starting capacitor

EBM W1G AXIAL FANS



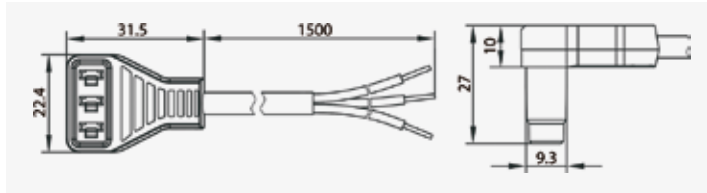
LF Code	GEV code	Model	Diameter mm	Power supply	Nominal speed rpm	Watt	Air direction
3340174	602059	W1G200-EC87-20	200	230V 50/60Hz	900-1300	8	S
3340164	602059	W1G200-EC87-25	200	230V 50/60Hz	900-1300	8	S
5075849	602274	W1G200-EC91-44	200	230V 50/60Hz	1500-2100	31	S
3540016	LF3540016	W1G200-EC91-45	200	230V 50/60Hz	1500-2100	31	S
3540070	LF3540070	W1G230-EB89-23	230	230V 50/60Hz	1200	13	S
7103275	LF7103275	W1G300-CB19-03	300	230V 50/60Hz	1100	22	S

Energy saving

AXIAL MOTOR FANS

CABLE FOR EBM AXIAL FANS W1G

ebmpapst



LF Code	GEV code	Description
3340219	LF3340219	Connection leads 1500 mm

ZIEHL-ABEGG AXIAL FANS

ZIEHL-ABEGG



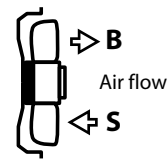
IA0300 5P28



FN



FB



LF Code	GEV code	Model	Diameter mm	Volt	Hertz	Watt	Ampere	rpm	Air direction
2103992	LF2103992	IA0300 5P28	300	230	50/60	34	1330	B	0.77
3240776	601972	FN040-4EK.0F.V7P1	400	230	50	240	1340	S	1.05
3240615	601973	FB045-4EK.4F.V4P	450	230	50	480	1325	S	2.1
3240587	601974	FB045-VDK.4C.V4P	450	400	50	450	1360	S	0.81
3540031	LF3540031	FN050-4EK.4I.V7P1	500	230	50	720	1240	S	3.2
3240616	601976	FB050-VDK.4I.V4P	500	400	50	650	1340	S	1.15
3340128	601975	FN050-VDK.4I.V7	500	400	50	770	1300	S	1.7
3540030	LF3540030	FN050-6EK.4F.V7P3	500	230	50	270	900	S	1.25
3540029	LF3540029	FN050-SDK.4F.V7P1	500	400	50	290	880	S	0.74
3540015	LF3540015	FB063-SDK.4I.V4P	630	400	50	480	860	S	0.93
3340189	601977	FN063-SDK.4I.V7	630	400	50	620	900	S	1.25

Complete with basket guard grill, electric box and starting capacitor

MOTORS

FERGAS VAX MOTOR



LF Code	GEV code	Model	Power supply	Watt in	Watt out	Nominal speed rpm
3240683	750788	VAX 150/30	230V 50/60Hz	35	5	2450

COPREL AX MOTORS



LF Code	GEV code	Model	Power supply	Watt in	Watt out	Nominal speed rpm	Shaft length mm	Faston position	Plastic fan ø mm
3340047	602249	AX010/5B-1RSX	230V 50/60Hz	20	3.3	2650	53		105
5062952	602276	AX013NY-10 3A OA	230V 50/60Hz	20		2600	75		130
3240380	601078	AX-013NY-1-4R-A-P	230V 50/60Hz	16		2500	25	Rh	130
3240381	601079	AX-013NY-1-3R-A-P	230V 50/60Hz	16		2500	25	Lh	130

COPREL P MOTORS



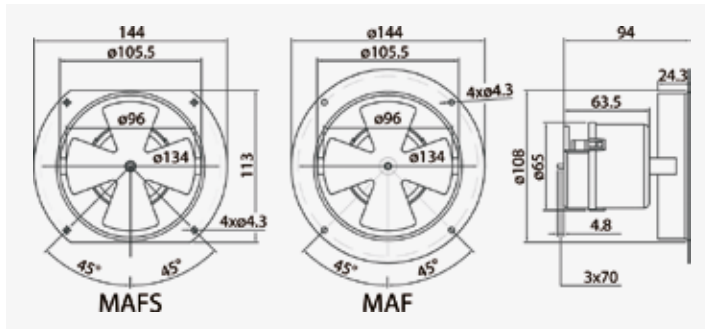
LF Code	GEV code	Model	Power supply	Watt in	Watt out	Nominal speed rpm
3240633	602246	P.20-6 IV LC17	230V 50/60Hz	32		1900
3240632	750398	P.30 IV LC1	230V 50/60Hz	35	5	2500

COPREL MIX MOTOR MIXERS



LF Code	GEV code	Model	Power supply	Watt	Nominal speed rpm	Shaft length mm	Plastic fan ø mm
3240567	LF3240567	MIX 15-1 INC BB	230V 50/60Hz	17	2800		44
3240774	S0206906	MIX 20-23 CRO INC BB	230V 50/60Hz	18	2800	150	44
3240775	LF3240775	MIX 20-1 CRO INC BB	230V 50/60Hz	20	2800	135	44

COPREL MAF MOTORS



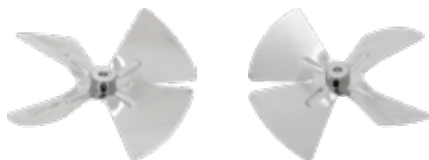
MAF



MAFS

LF Code	GEV code	Model	Power supply	Watt in	Watt out	Nominal speed rpm
3240868	602030	MAFS12	230V 50/60Hz		9	2700
3240869	LF3240869	MAF12	230V 50/60Hz		9	2700

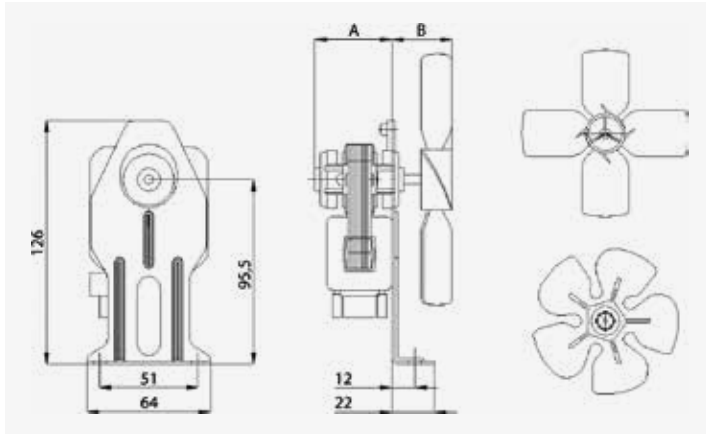
ALUMINUM FANS FOR COPREL MAF



LF Code	GEV code	Description	Direction of air flow
3240870	601563	ø 96 mm - 26°	Sucking
3240871	601564	ø 96 mm - 28°	Blowing

MOTORS

TRIAL AAS MOTORS



AAS13B-004



AAS13B-009

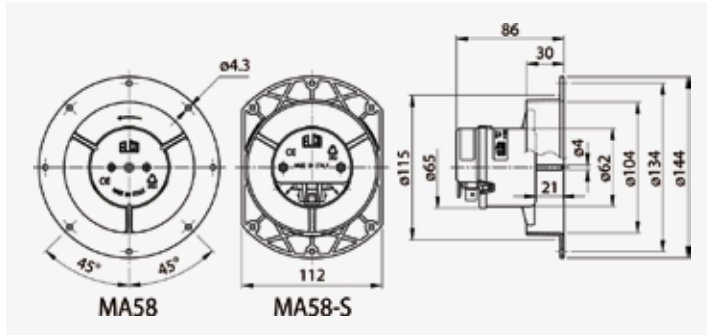
LF Code	GEV code	Model	Power supply	Watt	Nominal speed rpm	Shaft mm	A mm	B mm	Fan ø mm
3340210	601501	AAS13B-004	230V 50/60Hz	3.3	2600	ø 5	46.5	26	130 - 4 shovels nylon
3340116	LF3340116	AAS13B-009	230V 50/60Hz	3.3	2400	ø 6	46.5	26	130 - 5 shovels aluminum

TRIAL AAA MOTOR MIXERS



LF Code	GEV code	Model	Power supply	Watt	Nominal speed rpm	Shaft length mm	Plastic fan ø mm
D240066	LFD240066	AAA20C-001	230V 50/60Hz	20	2400	153	45
3240806	LF3240806	AAA20C-010	230V 50/60Hz	20	2400	153	45
5093213	501607	AAA20C-012	230V 50/60Hz	20	2400	153	45

ELCO M58 MOTORS



M58-S



M58

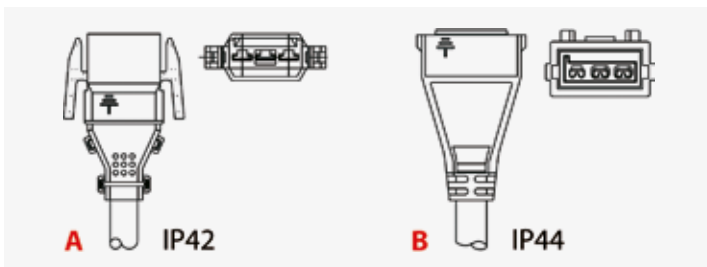
LF Code	GEV code	Model	Watt in	Watt out	Power supply	Nominal speed rpm
3340184	602088	MA58 1-12-100	10	1	230V 50/60Hz	2500
3340185	602219	MA58 1-12-100-S	10	1	230V 50/60Hz	2500

PLASTIC FANS FOR ELCO MA58



LF Code	GEV code	Description	Direction of air flow
3230001	602090	ø 100 mm - 30°	Sucking
3230002	602089	ø 100 mm - 30°	Blowing

3-POLE CABLES WITH CONNECTOR



A



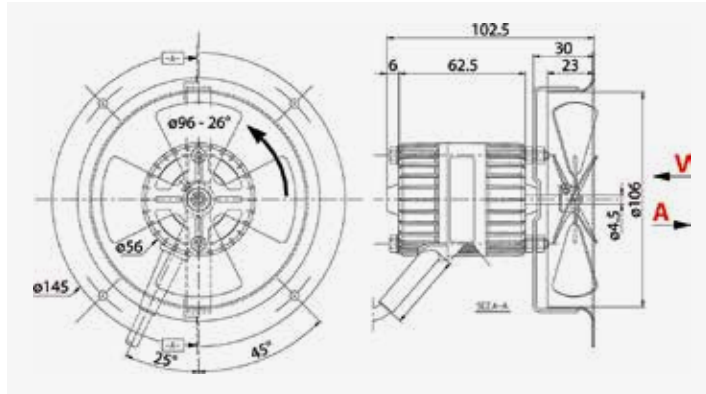
B

LF Code	GEV code	Length mm	Protection degree	Drawing
3340115	601892	1500	IP42	A
3240872	602062	1500	IP44	B

MOTORS

EMI 52 MOTORS

**EURO
MOTORS
ITALIA**



LF Code	GEV code	Model	Watt in	Watt out	Power supply	Nominal speed rpm	Air direction	ø fan mm
3240931	602264	52AV-2001/14	15	1	230V 50/60Hz	2500	V	96
3240930	602265	52AV-2001/13	15	1	230V 50/60Hz	2500	A	96

ALUMINUM FANS FOR MOTORS



LF Code	GEV code	Fan diameter mm	Pitches	Version
3240960	601566	154	28°	Sucking
3240961	601553	172	28°	Sucking
1240373	LF1240373	172	40°	Sucking
3240220	601070	200	28°	Sucking
3240222	601283	230	28°	Sucking
3240964	601567	254	28°	Sucking
3240965	601410	300	28°	Sucking
3240411	601568	154	28°	Blowing
3240412	601569	172	28°	Blowing
3240393	601570	200	28°	Blowing
3240394	601571	230	28°	Blowing
3240395	601573	254	28°	Blowing
3240403	601574	300	28°	Blowing

RINGS FOR MOTORS



LF Code	GEV code	Fan diameter mm	External diameter mm	Height mm
3240408	601585	154	200	49
3240969	601586	172	220	49
3240970	601587	200	248	49
3240409	601588	230	278	49
3240971	601589	254	302	49
3240972	601590	300	350	49

MOTOR BRACKETS STRAIGHT



LF Code	GEV code	Height mm	Distance between fixing holes mm
3240950	601597	39	81
3240951	601075	52	81
3240221	601576	72	81
3240223	601076	84	81
3240954	601578	109	78

MOTOR BRACKETS CROSS



LF Code	GEV code	Height mm
3805024	LF3805024	59
3805025	LF3805025	73
3805026	LF3805026	82
3805027	LF3805027	112
3805028	LF3805028	120

MOTORS

ADJUSTABLE UNIVERSAL SUPPORT



LF Code	GEV code	Height mm
3805029	LF3805029	72-150

GRIDS FOR MOTORS WITH 5 FASTENING METHODS



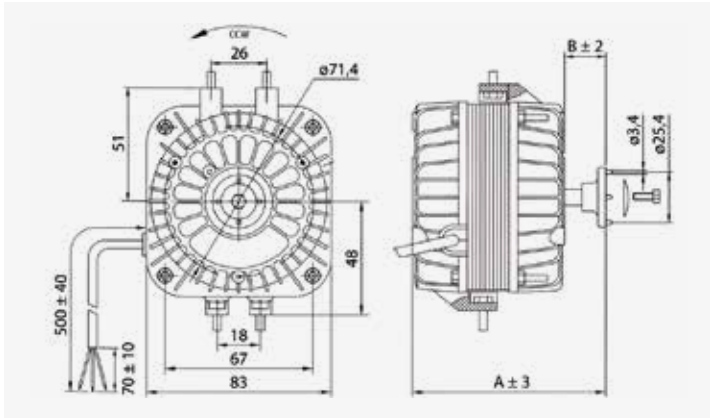
LF Code	GEV code	Fan diameter mm	Height mm	Distance between fixing holes mm
3185088	601581	200	25	236
3185093	601582	230	27	266
3185089	602226	254	25	290
3185949	LF3185949	254	50	300
3185090	602227	300	28	344

MOTORS PLASET



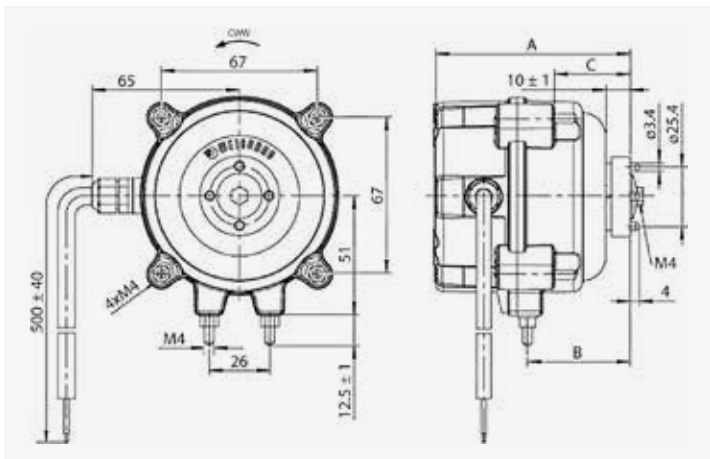
LF Code	GEV code	Model	Power supply	Watt	Nominal speed rpm
5067421	601375	20182	230V 50/60Hz	10	1350

WEIGUANG YZF MOTORS - 5 FASTENING METHODS



LF Code	GEV code	Model	Watt in	Watt out	Volt	Hertz	Nominal speed rpm	A mm	B mm
3240910	601020	YZF 5-13-26	33	5	230	50/60	1300	83	15
3240911	601022	YZF 10-20-26	40	10	230	50/60	1300	89	15
3240912	601023	YZF 16-25-26	70	16	230	50/60	1300	94	14
3240913	601024	YZF 25-40-26	95	25	230	50/60	1300	113.5	18.5
3240914	601050	YZF 34-45-26	120	34	230	50/60	1300	122.5	22.5

WEIGUANG ECM ELECTRONIC MOTORS

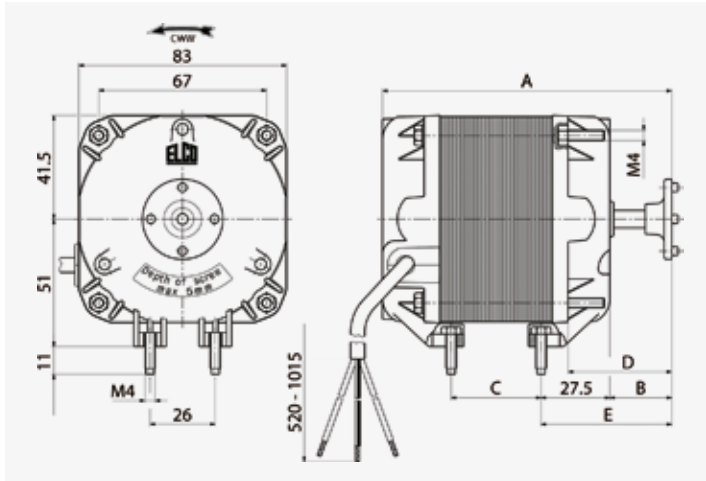


LF Code	GEV code	Model	Power supply	Power Watt	Nominal speed rpm	A mm	B mm	C mm
3340256	601877	7108	220-240V 50/60Hz	7	1300	83	43.5	32.5
3340257	601878	7112	220-240V 50/60Hz	24	1300	87	43.5	32.5
3340258	601879	7120	220-240V 50/60Hz	32	1300	95	43.5	32.5

Energy saving

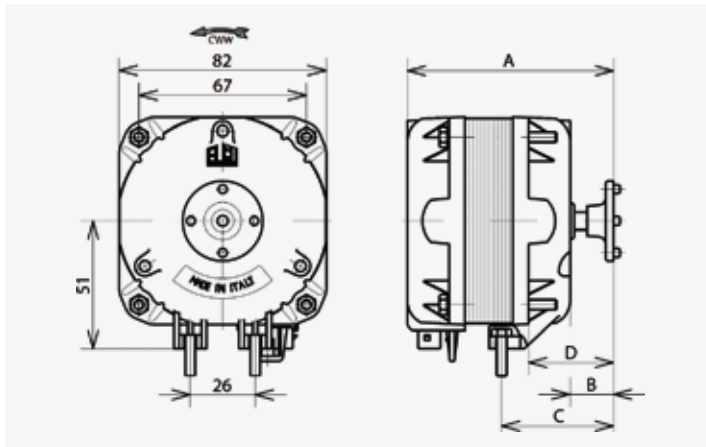
MOTORS

ELCO N T3 MOTORS



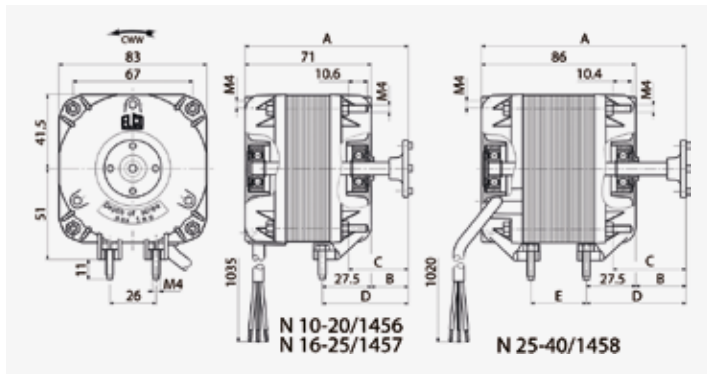
LF Code	GEV code	Model	Watt in	Watt out	Power supply	Nominal speed rpm	A mm	B mm	C mm	D mm	E mm
3240413	602222	N 25-40/1286	95	25	230V 50/60Hz	1300	101.5	15.5	31	32	43
3240414	602221	N 34-45/389	120	34	230V 50/60Hz	1300	119	28	36	45	55.5

ELCO N T4 PLUG-IN MOTORS



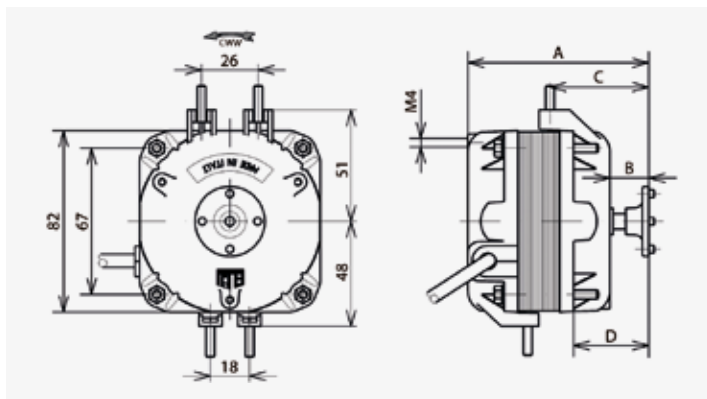
LF Code	GEV code	Model	Watt in	Watt out	Power supply	Nominal speed rpm	A mm	B mm	C mm	D mm
3340113	601890	N 10-20/079	38	10	230V 50/60Hz	1300	87	22	49	38
3340114	601891	N 16-25/110	65	16	230V 50/60Hz	1300	92	21	48	38

ELCO N T4 MOTORS WITH BEARING



LF Code	GEV code	Model	Watt in	Watt out	Power supply	Nominal speed rpm	A mm	B mm	C mm	D mm	E mm
3340110	601762	N 10-20/1456	38	10	230V 50/60Hz	1300	86.5	21.5	34	49	
3340111	601763	N 16-25/1457	65	16	230V 50/60Hz	1300	91.5	20.5	33.5	48	
3340112	601764	N 25-40/1458	95	25	230V 50/60Hz	1300	114	28	40.5	55.5	31

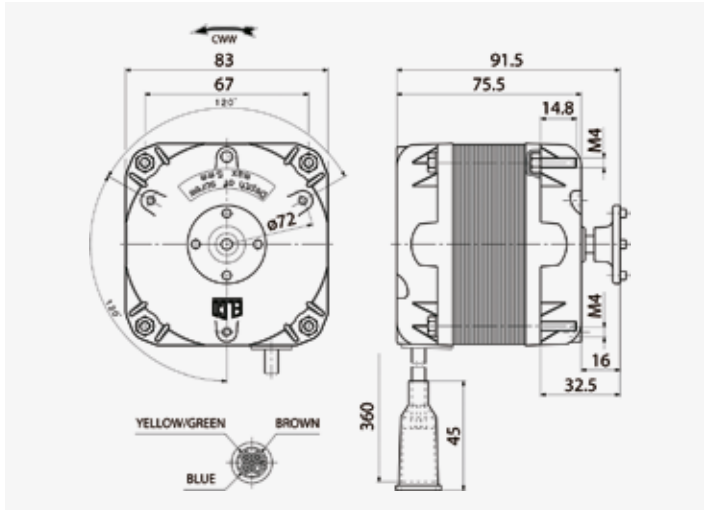
ELCO N T5 MOTORS - 5 FASTENING METHODS



LF Code	GEV code	Model	Watt in	Watt out	Power supply	Nominal speed rpm	A mm	B mm	C mm	D mm
3240210	601430	N 5-13	32	5	230V 50/60Hz	1300	80	21	48	38
3240211	601427	N 10-20	38	10	230V 50/60Hz	1300	87	22	48	38
3240902	601528	N 16-25	65	16	230V 50/60Hz	1300	92	21	48	38
3242829	602057	N 18-30	73	18	230V 50/60Hz	1300				
3240903	601529	N 25-40	95	25	230V 50/60Hz	1300	112	26	53	42
3240904	601530	N 34-45	120	34	230V 50/60Hz	1300	119	28	56	45

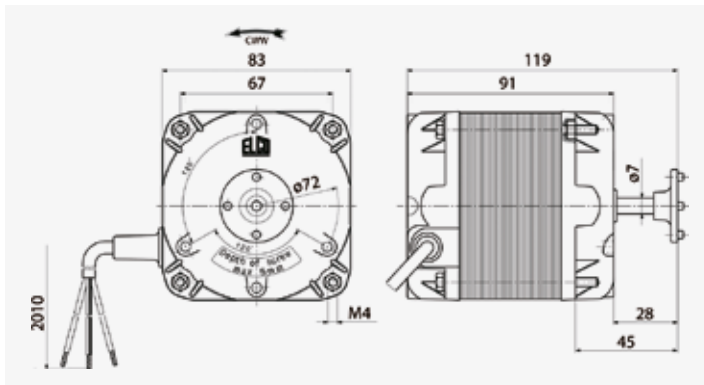
MOTORS

ELCO N T7 MOTORS



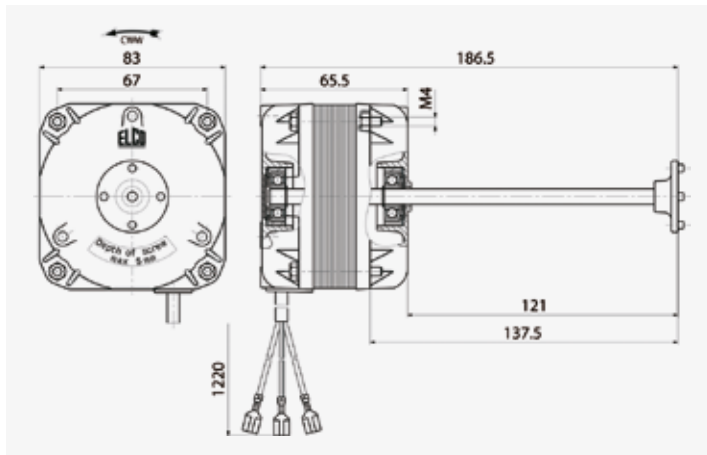
LF Code	GEV code	Model	Watt in	Watt out	Power supply	Nominal speed rpm	Shaft length mm
3340125	602220	N 25-30/839 (W26/A)	90	25	230V 50/60Hz	1300	16

ELCO N T7 MOTORS



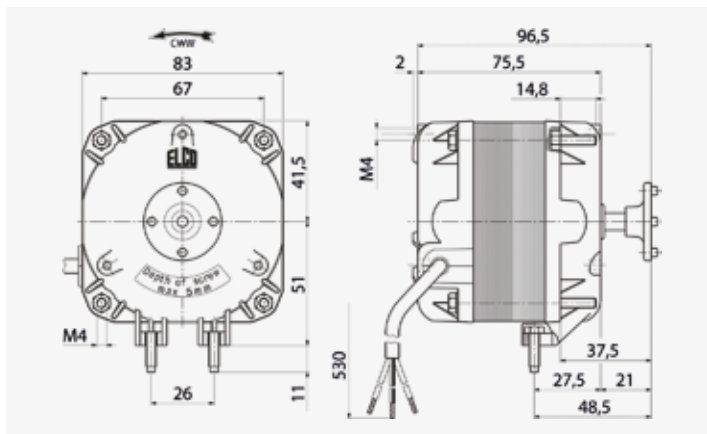
LF Code	GEV code	Model	Watt in	Watt out	Power supply	Nominal speed rpm	Shaft length mm
3340123	602218	N 25-45/1327	95	25	230V 50/60Hz	1300	28

ELCO N T7 MOTORS



LF Code	GEV code	Model	Watt in	Watt out	Power supply	Nominal speed rpm	Shaft length mm
3340106	S4000597	N 10-20/1796	38	10	230V 50/60Hz	1300	121

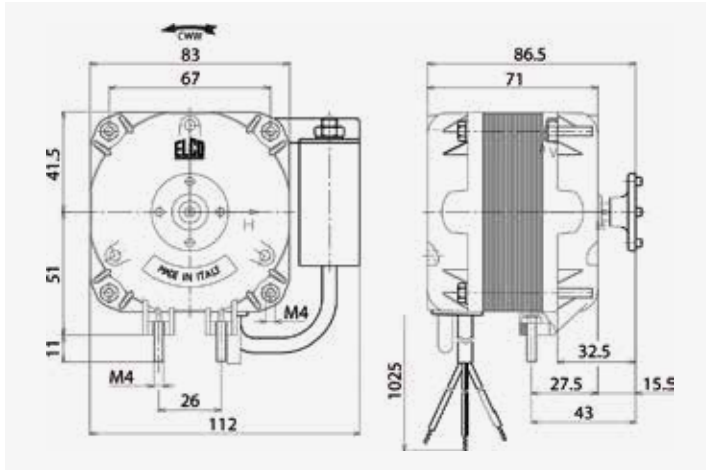
ELCO N T8 MOTORS



LF Code	GEV code	Model	Watt in	Watt out	Power supply	Nominal speed rpm	Shaft ø mm	Shaft length mm
7103478	602251	VNT 18-30/723	73	18	230V 50/60Hz	1300	21	7

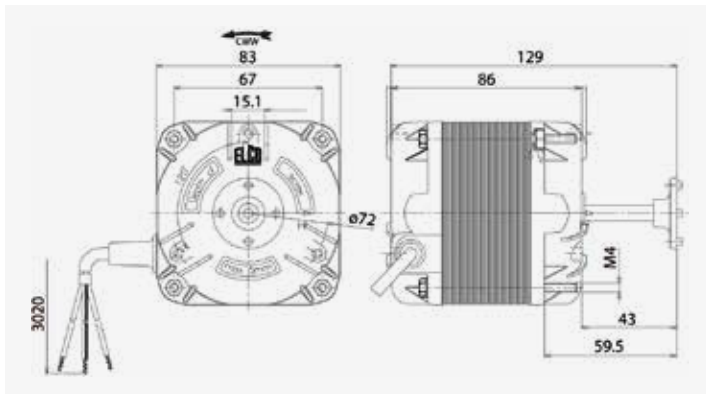
MOTORS

ELCO R MOTORS



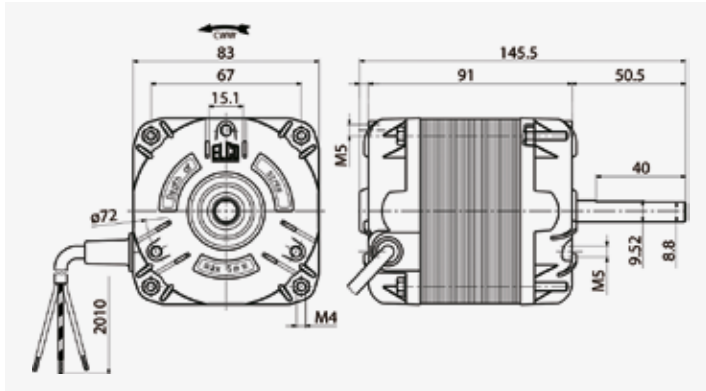
LF Code	GEV code	Model	Watt in	Watt out	Power supply	Nominal speed rpm	Capacitor μ F	Shaft length mm
3240383	601608	R 18-25/002	62	18	230V 50/60Hz	2600	2	15.5

ELCO N T8 MOTORS



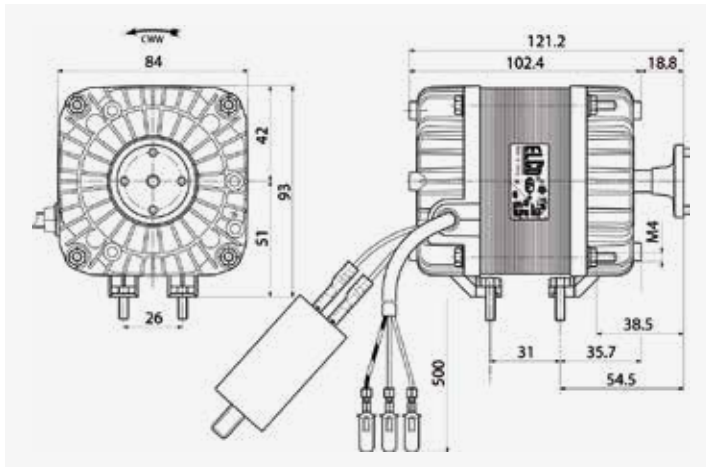
LF Code	GEV code	Model	Watt in	Watt out	Power supply	Nominal speed rpm	Shaft ϕ mm	Shaft length mm
3240428	602212	N 25-40/716	105	25	230V 50/60Hz	1300	43	7

ELCO N T8 MOTORS



LF Code	GEV code	Model	Watt in	Watt out	Power supply	Nominal speed rpm	Shaft ø mm	Shaft length mm
3340048	LF3340048	N 25-45/887	95	25	230V 50/60Hz	1300	50.5	9.52

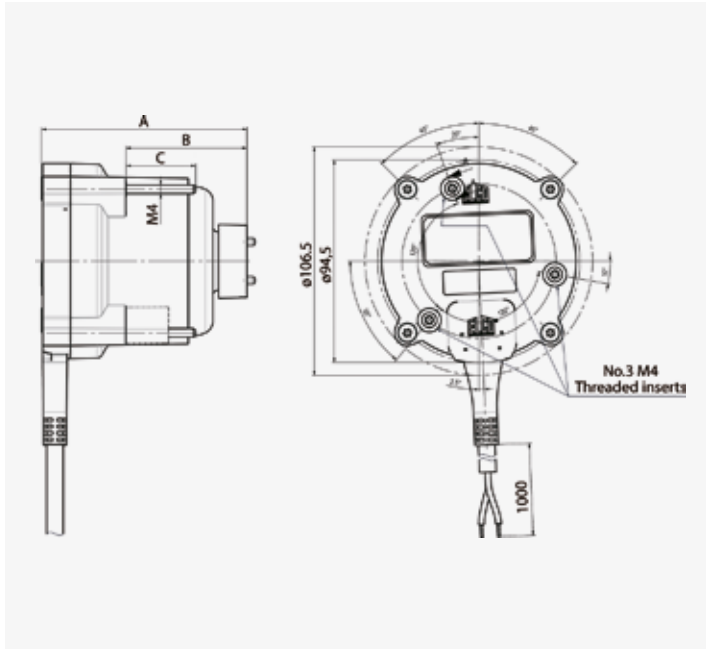
ELCO 3FBT MOTORS



LF Code	GEV code	Model	Watt in	Watt out	Power supply	Nominal speed rpm	Capacitor µF	Shaft ø mm	Shaft length mm
3240490	601420	3FBT 50-40/15	120	45	230V 50/60Hz	1300	2	19	9.52

MOTORS

ELCO ECM ELECTRONIC MOTORS



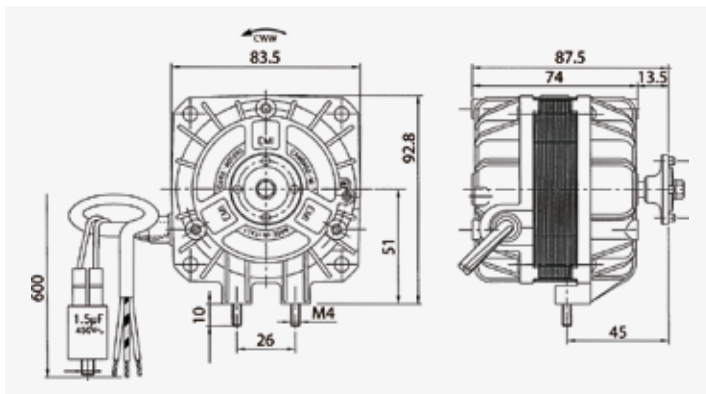
ECM



LF Code	GEV code	Model	Power supply	Power Watt	Nominal speed rpm	A mm	B mm	C mm
3340168	601886	ECM 12	230V 50/60Hz	9/14	1400	81	48.5	24.5
3340215	601887	ECM 20	230V 50/60Hz	17/25	1400	96	56.5	32.5

Energy saving

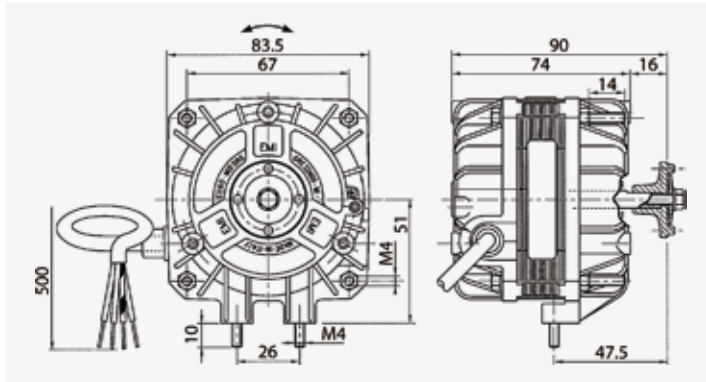
EMI 83CE MOTORS



LF Code	GEV code	Model	Watt in	Watt out	Power supply	Nominal speed rpm	Capacitor µF	Shaft length mm
3240882	601823	83CE-2008/1	45	8	230V 50Hz	1900	1.5	13.5

EMI 83 REVERSIBLE MOTORS

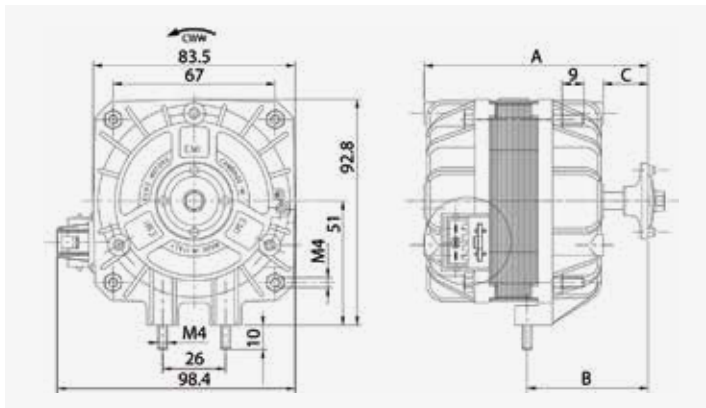
**EURO
MOTORS
ITALIA**



LF Code	GEV code	Model	Watt in	Watt out	Power supply	Nominal speed rpm	Capacitor μ F	Rotation	Shaft length mm
3340051	LF3340051	83-2010/1	40	10	230V 50Hz	1300	1	CW-CCW	16

EMI 82E/C PLUG-IN MOTORS

**EURO
MOTORS
ITALIA**

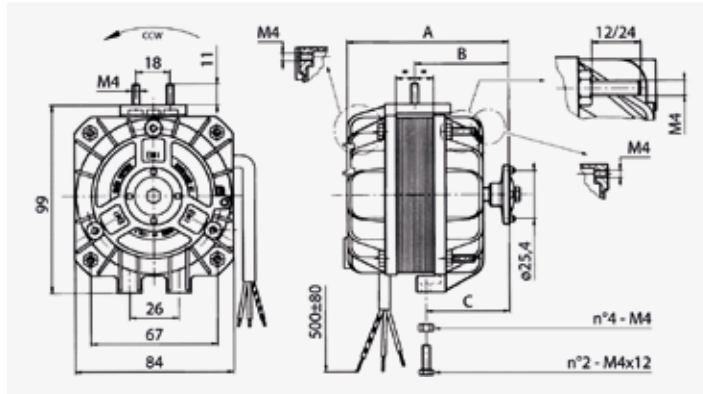


LF Code	GEV code	Model	Watt in	Watt out	Power supply	Nominal speed rpm	A mm	B mm	C mm
2102855	LF2102855	82E-1305/C5	33	5	230V 50/60Hz	1300	83.5	48	16.5
5061926	LF5061926	82E-2010/C2	40	10	230V 50/60Hz	1300	92.5	50	18.5
2103926	LF2103926	82E-2516/C1	65	16	230V 50/60Hz	1300	97.5	50	18.5

MOTORS

EMI 5-82 CE MOTORS - 5 FASTENING METHODS

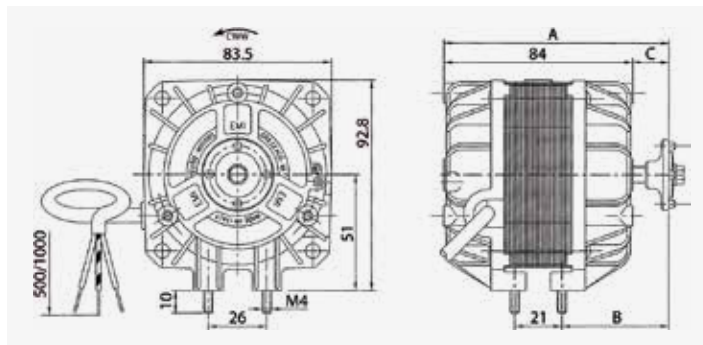
**EURO
MOTORS
ITALIA**



LF Code	GEV code	Model	Power supply	Watt in	Watt out	Nominal speed rpm	A mm	B mm	C mm
3240637	602214	5-82-CE 1305	30	5	230V 50/60Hz	1300	79	46	44.5
3240635	602213	5-82-CE 2010	40	10	230V 50/60Hz	1300	86	50	44.5
3340218	LF3340218	5-82-CE 2010/4	40	10	230V 50/60Hz	1300	97.5	60.5	55
3240636	602273	5-82-CE 3016	70	16	230V 50/60Hz	1300	96	55	44.5
3340126	602064	5-82-CE 3016/4	70	16	230V 50/60Hz	1300	106	65	54.5
3340124	602215	5-82-CE 4025	115	25	230V 50/60Hz	1300	106	60	44.5
3340127	602216	5-82-CE 4025/5	115	25	230V 50/60Hz	1300	124	78	62.5

EMI 82E MOTORS

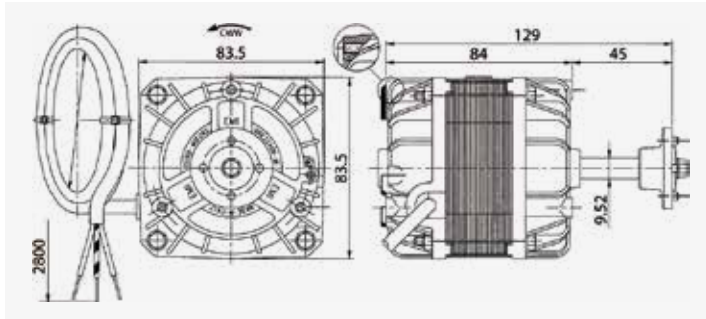
**EURO
MOTORS
ITALIA**



LF Code	GEV code	Model	Watt in	Watt out	Power supply	Nominal speed rpm	A mm	B mm	C mm
5004173	LF5004173	83E-3016/11	75	16	230V 50/60Hz	1300	97.5	45	13.5
1240122	LF1240122	82E-3016/55	75	16	230V 50/60Hz	1300	114	61.5	30

EMI 82CE MOTORS

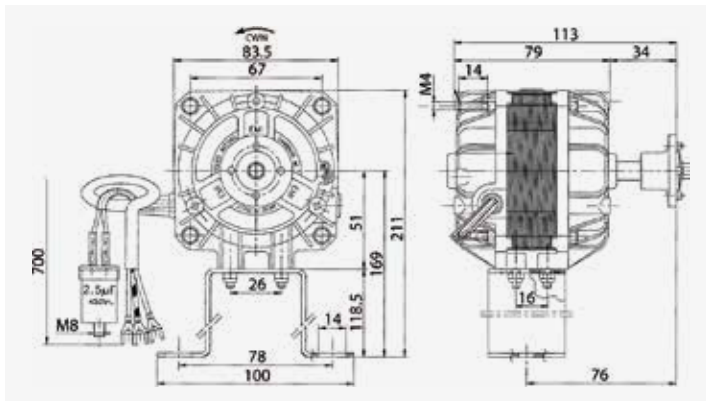
**EURO
MOTORS
ITALIA**



LF Code	GEV code	Model	Watt in	Watt out	Power supply	Nominal speed rpm	Shaft ϕ mm	Shaft length mm
3340195	LF3340195	82CE-3025/G1	120	25	230V 50/60Hz	1300	9.52	45

EMI 83D MOTORS

**EURO
MOTORS
ITALIA**

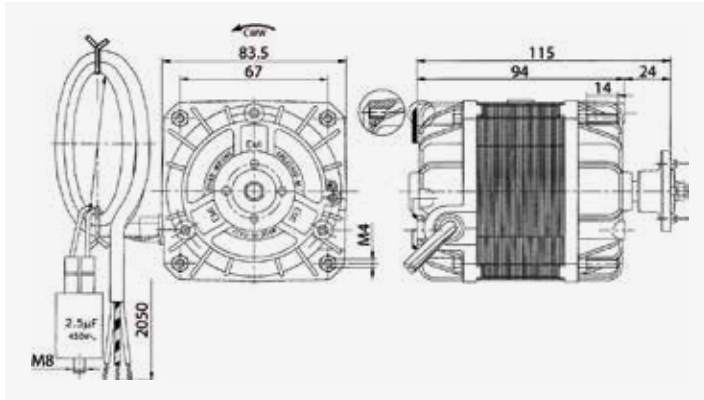


LF Code	GEV code	Model	Watt in	Watt out	Power supply	Nominal speed rpm	Capacitor μ F	Shaft ϕ mm	Shaft length mm
3240631	601524	83D-2535/23	95	35	230V 50/60Hz	1300	2.5	9.52	34

MOTORS

EMI 83D MOTORS

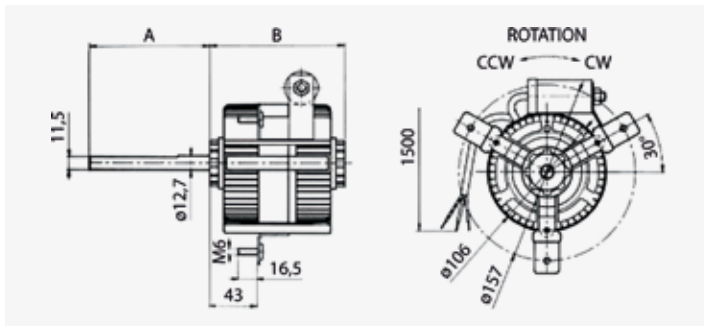
**EURO
MOTORS
ITALIA**



LF Code	GEV code	Model	Watt in	Watt out	Power supply	Nominal speed rpm	Capacitor μF	Shaft \varnothing mm	Shaft length mm
3240905	LF3240905	83D-4050/16	100	50	230V 50/60Hz	1300	2.5	9.52	24

EMI 101M MOTORS

**EURO
MOTORS
ITALIA**

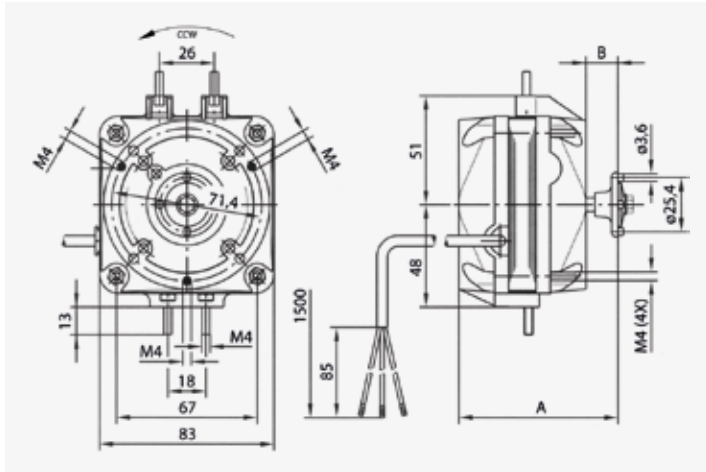


101M

LF Code	GEV code	Model	Power supply	Watt IN	Watt OUT	Ampere	Speed rpm	Capacitor μF	A mm	B mm	Rotation
3340198	LF3340198	101M-3070/R	230V 50Hz	145	70	0.7	1300	5	60	120	CW/CCW
3340197	LF3340197	101M-40120/R	230V 50Hz	245	120	1	1300	10	80	141	CW/CCW
3240881	601554	101M-50130/3	230V 50/60Hz	190	130	0.8	1300	3.15	80	141	CCW
3340196	LF3340196	101M-50150/R	230V 50Hz	270	150	1.3	1300	12.5	110	141	CW/CCW

EBM MOTORS M4Q045 - 5 FASTENING METHODS

ebmpapst

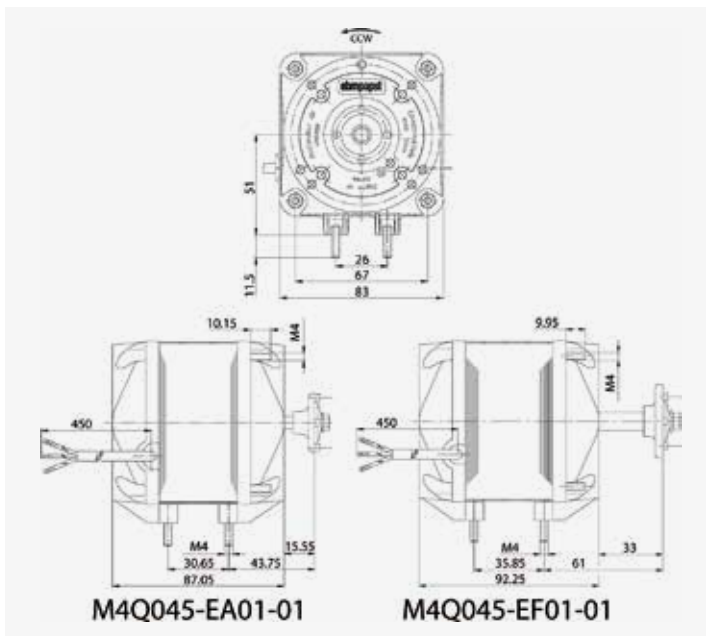


M4Q045

LF Code	GEV code	Model	Watt in	Watt out	Volt	Hertz	Nominal speed rpm	A mm	B mm
3240581	601756	M4Q045-BD01-75	29	5	230	50/60	1300	76	15
3240580	601757	M4Q045-CA03-75	36	10	230	50/60	1300	82	15
3240626	601758	M4Q045-CF01-75	60	16	230	50/60	1300	87	15
3240627	601759	M4Q045-DA01-75	70	18	230	50/60	1300	93	15
3240628	601760	M4Q045-EA01-75	90	25	230	50/60	1300	103	15.5
3240629	601761	M4Q045-EF01-75	110	34	230	50/60	1300	125	33

EBM M4Q045 MOTORS

ebmpapst

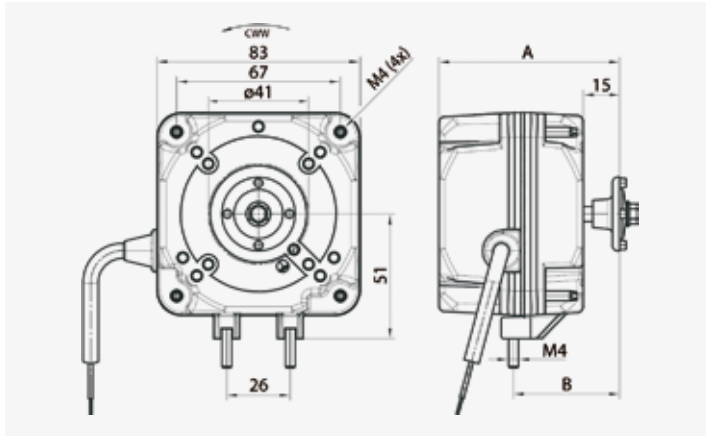


LF Code	GEV code	Model	Watt in	Watt out	Volt	Hertz	Nominal speed rpm
3805015	601952	M4Q045-EA01-01	90	25	230	50/60	1300
3340220	LF3340220	M4Q045-EF01-01	110	34	230	50/60	1300

MOTORS

EBM iQ ELECTRONIC MOTORS

ebmpapst



iQ

LF Code	GEV code	Model	Power supply	Power Watt	Nominal speed rpm	A mm	B mm
3340201	LF3340201	iQ3608	230V 50/60Hz	5	1300	74	43.5
3340055	601893	iQ3612	230V 50/60Hz	10	1300	82	43.5
3340163	601894	iQ3620	230V 50/60Hz	20	1300	90	51.5

Energy saving

TANGENTIAL AND RADIAL MOTOR FANS

EBM-PAPST RADIAL FANS

ebmpapst



LF Code	GEV code	Model	Diameter mm	Volt	Hertz	Watt	Ampere	Nominal speed rpm	Capacitor μ F	Suitable for
7102749	601833	R2S133-AE17-05	133	230	50/60	36	0.25	2780		
3240651	LF3240651	R2E180-CB28-01	180	230	50/60	60	0.28	2550	1.5	AFINOX
3240485	LF3240485	R2E190-RA26-57	190	220-230	50/60	52-65	0,23-0,29	2350/2500	1.5	ILSA-WHIRPOOL-FRIULINOX-LAINOX
3805051	602279	R2E190-RA26-58	190	230	50/60	52	0.23	2350	1.5	STUDIO 54-WHIRPOOL-IRINOX-ZANUSSI-ELECTROLUX
3805035	LF3805035	R2E220-AA40-05	220	230	50/60	85	0.38	2600	3	CARPIGANI
5056068	LF5056068	R2E225-RA92-09	225	230	50/60	155	0.68	2600	3.5	

RADIAL VENTILATORS



LF Code	GEV code	Model	Diameter mm	Volt	Hertz	Watt	Ampere	Nominal speed rpm	Capacitor μ F	Suitable for
5099380	601858	XFAN REH190X62-1CN	190	230	50/60	91	0.39	2600	2.5	FRIULINOX

COPREL TANGENTIAL FANS \varnothing 45 mm

coprel



LF Code	GEV code	Model	Dimensions mm	Volt	Hz	Watt	Motor position	Motor mm	Notes	Suitable for
3526105	602267	TFL45180/151AFNHT	180	230	50/60	19	Lh	15		
3805023	602105	TFR45-240/1527CFC	240	230	50/60	16	Rh	15	w/cable	MERCATUS
3805030	LF3805030	TFL45-240/15-27CFN	240	230	50/60	16	Lh	15	w/cable	MERCATUS

Rh=right Lh=left

TANGENTIAL AND RADIAL MOTOR FANS

COPREL TANGENTIAL FANS ø 60 mm



LF Code	GEV code	Model	Dimensions Length x ø mm	Volt	Hertz	Watt	Motor position	Motor mm	Speed rpm	Air flow rate m3/h	Notes
3526148	LF3526148	TFR90/20-1RFNHT	90x60	230	50/60	23	Rh	20	2500	92	
3526147	LF3526147	TFL90/20-1RFNHT	90x60	230	50/60	23	Lh	20	2500	92	
3526961	602266	TFR120/20-1RFNHT	120x60	230	50/60	25	Rh	20	2300	127	
3526962	601036	TFL120/20-1RFNHT	120x60	230	50/60	25	Lh	20	2300	127	
3526153	602155	TFR180/20-1AFNHT	180x60	230	50/60	25	Rh	20	1500	120	
3526150	602284	TFL180/20-1RFNHT	180x60	230	50/60	25	Lh	20	1500	120	
3526239	602229	TFL180/20-14CIC	180x60	230	50/60		Lh	20			w/cable
3526963	601798	TFR240/20-1RFNHT	240x60	230	50/60	25	Rh	20	1100	135	
3526964	601797	TFL240/20-1RFNHT	240x60	230	50/60	25	Lh	20	1100	135	
3805019	LF3805019	FFR240/20-1CFC	240x60	230	50/60	25	Rh	20			w/cable
3805041	601671	TFL240/30-1RFNHT	240x60	230	50/60	37	Lh	30			
3526155	LF3526155	TFR270/20-1RFNHT	270x60	230	50/60	26	Rh	20	1100	195	
3526154	601057	TFL270/20-1RFNHT	270x60	230	50/60	26	Lh	20	1100	195	
3526965	602224	TFR300/20-1RFNHT	300x60	230	50/60	25	Rh	20	1100	205	
3526966	LF3526966	TFL300/20-1RFNHT	300x60	230	50/60	25	Lh	20	1100	205	
3805053	601058	TFL300/20-INC	300x60	230	50/60	34	Lh	20			w/cable
3526157	602077	TFR360/20-1RFNHT	360x60	230	50/60	26	Rh	20	1050	190	
3526156	601947	TFL360/20-1RFNHT	360x60	230	50/60	26	Lh	20	1050	190	
3526165	601455	TFD180/30-1RFNHT	180x180x60	230	50/60	45	Central	30			
3526220	602233	TFD240/30-1RFN	240x240x60	230	50/60	45	Central	30	1100	280	

Rh=right Lh=left

TRIAL TANGENTIAL FANS ø 45 mm



LF Code	GEV code	Model	Dimensions Length x ø mm	Volt	Hertz	Watt	Motor position	Motor mm	Speed rpm	Air flow rate m3/h	Suitable for
3526034	LF3526034	TAS09B4-002	90x45	230	50/60	22	Lh	12	2450	38	
3526097	LF3526097	TAS12B4-003	120x45	230	50/60	28	Rh	16	2550	76	
3526203	601456	TAS18B4-001	180x45	230	50/60	32	Rh	16	2200	100	DESMON
3526158	LF3526158	TAS24B4-001	240x45	230	50/60	36	Lh	20	2180	140	
3526159	LF3526159	TAS27B4-002	270x45	230	50/60	36	Lh	20	2000	150	
3526163	602231	TAS30B4-004	300x45	230	50/60	40	Lh	30	2280	200	
3526164	LF3526164	TAS36B4-002	360x45	230	50/60	44	Lh	30	2000	200	

Rh=right Lh=left

TANGENTIAL AND RADIAL MOTOR FANS

TRIAL TANGENTIAL FANS \varnothing 60 mm



LF Code	GEV code	Model	Dimensions Length x \varnothing mm	Volt	Hertz	Watt	Motor position	Motor mm	Speed rpm	Air flow rate m ³ /h	Suitable for
3526216	602239	TAS12B5-001	120	230	50/60	50	Lh	40	2550	160	CORECO
5065612	LF5065612	TAS12B-041	120	230	50/60	35	Rh	20	2300	130	MONDIAL
3526215	LF3526215	TAS18B-C09	180	230	50/60	30	Lh	16	1500	135	CORECO
3526160	LF3526160	TAD18B-005	180x180	230	50/60	28	Central	16	1020	175	
3526161	LF3526161	TAD27B-023	270x270	230	50/60	28	Central	16	840	230	
3526162	LF3526162	TAD36B-001	360x360	230	50/60	36	Central	20	770	290	

Rh=right Lh=left

TRIAL TANGENTIAL FANS \varnothing 60 mm WITH CABLE



LF Code	GEV code	Model	Dimensions Length x \varnothing mm	Volt	Hertz	Watt	Motor position	Motor mm	Speed rpm	Air flow rate m ³ /h	Temperature range	Suitable for
3526026	LF3526026	TAS09B-036	90x60	230	50/60	25	Rh	16	2400	90	-30°+40°C	CARAVELL
3526032	LF3526032	TAS09B-037	90x60	230	50/60	25	Lh	16	2400	90	-30°+40°C	
3526030	LF3526030	TAS12B-030	120x60	230	50/60	30	Lh	16	2050	100	-30°+40°C	
3526204	602044	TAS18B-208	180x60	230	50/60	34	Rh	20	1800	140	-30°+40°C	MONDIAL
3526027	LF3526027	TAS18B-167	180x60	230	50/60	33	Rh	16	1600	145	-30°+40°C	
3526951	LF3526951	TAS18B-168	180x60	230	50/60	33	Lh	16	1600	145	-30°+40°C	CARAVELL-FRIULINOX-POLARIS
3526029	LF3526029	TAS24B-049	240x60	230	50/60	37	Lh	20	1520	200	-30°+40°C	TECNODOM
3526031	LF3526031	TAS27B-076	270x60	230	50/60	38	Rh	20	1350	200	-30°+40°C	
3526033	602268	TAS27B-077	270x60	230	50/60	38	Lh	20	1350	200	-30°+40°C	FRIULINOX
3526025	LF3526025	TAS30B-052	300x60	230	50/60	45	Rh	30	1600	270	-30°+40°C	CARAVELL-FRIULINOX
3526221	LF3526221	TAS36B-023	360x60	230	50/60	33	Rh	30	1100	215	-30°+40°C	COLDLINE
3526227	LF3526227	TAS36B-035	360x60	230	50/60	33	Lh	30	1100	215	-30°+40°C	COLDLINE
3526028	602272	TAD18B-040	180x180x60	230	50/60	41	Central	30	1300	235	-30°+40°C	TECFRIGO-SAGI-ANGELO PO
3805021	LF3805021	TAD24B-016	240x240x60	230	50/60	40	Central	30	1130	284	-30°+40°C	ISA-TASSELLI
3805022	602230	TAD30B-009	300x300x60	230	50/60	55	Central	40	1230	425	-30°+40°C	ISA-TASSELLI

Rh=right Lh=left

TANGENTIAL AND RADIAL MOTOR FANS

EBM TANGENTIAL FANS \varnothing 40 mm



LF Code	GEV code	Model	Dimensions Length x \varnothing mm	Volt	Hertz	Watt	Nominal speed rpm	Air flow rate m ³ /h	Motor position	Suitable for
2102085	601297	QL4/2000A0-2118L-412	200x40	230	50	14	2250	80	Rh	---
3805054	601652	QL4/2500A3-2118L-412	250x40	230	50	15			Rh	INFRICO
5122193	S0700626	QL4/3000A22-2124LH-425db	300x40	230	50	17			Rh	FIOCCHETTI
7103015	LF7103015	QL4/3000A0-2124L-410	300x40	230	50	21			Rh	IDEAL AKE

Rh=right Lh=left

EBM TANGENTIAL FANS \varnothing 45 mm



LF Code	GEV code	Model	Dimensions Length x \varnothing mm	Volt	Hertz	Watt	Nominal speed rpm	Air flow rate m ³ /h	Motor position	Suitable for
3526018	601000	QLK45/0006 2513	60x45	230	50	15	2650	36	Lh	POLARIS
3526206	601896	QLK45/0600 2513	60x45	230	50	15	2650	36	Rh	---
3526207	601895	QLK45/0012 2513	120x45	230	50	18	2250	80	Lh	LU-VE
3526166	601034	QLK45/1200 2513	120x45	230	50	18	2250	80	Rh	ELECTROLUX
3526167	602167	QLK45/1200 2513	120x45	230	50	18	2250	80	Rh	MARENO
3526180	LF3526180	QLK45/1800 2518	180x45	230	50/60	25	--	---	Rh	---
5030781	602232	QLK45/0018 2518	180x45	230	50	27	---	---	Lh	LU-VE
3526208	601052	QLK45/1800 2518	180x45	230	50	26	2350	125	Rh	---
3526019	601084	QLK45/1800 2513	180x45	230	50	---	---	---	Rh	ELECTROLUX- DEXION
2102046	LF2102046	QLK45/2400 2524	240x45	230	50/60	36	---	---	Rh	---
3526900	LF3526900	QLK45/0030 2524	300x45	230	50	35	2100	200	Lh	ISA TASSELLI- ELECTROLUX

Rh=right Lh=left

TANGENTIAL AND RADIAL MOTOR FANS

EBM TANGENTIAL FANS \varnothing 60 mm

ebmpapst



LF Code	GEV code	Model	Dimensions Length x \varnothing mm	Volt	Hertz	Watt	Nominal speed rpm	Air flow rate m ³ /h	Motor position	Suitable for
3526174	601650	QLZ06/0018 A22 2524	180x60	230	50	31	1800	150	Lh	INFRICO
7116905	LF7116905	QLZ06/0018 A253 2524	180x60	230	50	31	---	---	Lh	TOURNUS
3526271	602240	QLZ06/1800 B46 2513 217	180x60	230	50	15	---	---	Rh	AHT
2102169	601902	QLZ06/1800 A188 2524LH 18	180x60	230	50/60	---	---	---	Rh	---
7107055	601991	QLZ06/1800 A265 2524	180x60	230	50	31	1800	150	Rh	JORDAO
3805031	601936	QLZ06/1800 A304 2524	180x60	230	50	32	---	---	Rh	JORDAO
3526195	LF3526195	QLZ06/0024 A75 2505	240x60	230	50	38	---	---	Lh	---
3805032	601905	QLZ06/3000 A105 3038	300x60	230	50	50	---	---	Rh	---

Rh=right Lh=left

EBM TANGENTIAL FANS \varnothing 65 mm

ebmpapst



LF Code	GEV code	Model	Dimensions Length x \varnothing mm	Volt	Hertz	Watt	Nominal speed rpm	Air flow rate m ³ /h	Motor position	Suitable for
5060512	601505	QLN65	240x65	230	50	---	---	---	Rh	ELECTROLUX

Rh=right Lh=left

TANGENTIAL AND RADIAL MOTOR FANS

FERGAS TANGENTIAL FANS ø 30 mm



Rh

LF Code	GEV code	Model	Dimensions mm	Volt	Hz	Watt	Motor position	Suitable for
3240579	602243	50565	200	230	50		Rh	CORECO
3805040	LF3805040	50575	300	230	50		Rh	FOSTER

Rh=right Lh=left

FERGAS TANGENTIAL FANS ø 45 mm



LF Code	GEV code	Model	Dimensions mm	Volt	Hz	Watt	Motor position	Notes	Suitable for
3526272	S0100634	102802 TGO 45/1-180/15	180	230	50	21	Lh	w/cable	DESMON
3805052	602162	101204 TGA 45/1-240/20	240	230	50/60	27	Rh	w/cable	
3526249	S0209510	103500 TGO 45/1-300/15	300	230	50/60		Lh		MONDIAL
3526205	602058	101603 TGA 45/1-300/20	300	230	50		Rh	w/cable	
7105799	LF7105799	107602 TGA 45/2-300/20	300	230	50/60	20	Rh	w/cable	EMMEPI

Rh=right Lh=left

FERGAS TANGENTIAL FANS ø 60 mm



Rh



Lh



Central



w/cable

LF Code	GEV code	Model	Dimensions mm	Volt	Hz	Watt	Motor position	Motor mm	Notes	Suitable for
3526450	LF3526450	112000 TGA 60/1-60/20	60	230	50	18	Rh	20		
5066600	LF5066600	116223 TGO 60/1-180/20	180	230	50/60	28	Lh	20	w/cable	SAGI-ANGELO PO
5071503	LF5071503	116271 TGO 60/1-180/20	180	230	50/60	27	Lh	20	w/cable	SAGI-ANGELO PO
1805003	LF1805003	116603 TGO 60/1-240/30	240	230	50	30	Lh	30		
5026343	LF5026343	117302 TGO 60/1-300/40	300	230	50/60		Lh	40	w/cable	SAGI ANGELO PO
D805014	LFD805014	114422 TGA 60/1-360/30	360	230	50	42	Rh	30		
D805021	LFD805021	117806 TGO 60/1-360/30	360	230	50	42	Lh	30		
D805024	602242	114602 TGA 60/1-420/30	420	230	50	53	Rh	30		
3805019	LF3805019	115004 TGA 60/1-480/30	480	230	50	32	Rh	30		
3805020	S0208660	118404 TGO 60/1-480/30	480	230	50	32	Lh	30		
D805018	LFD805018	119600 TGD 60/1-180/30	180x180	230	50	38	Central	30		

Rh=right Lh=left

TELETHERMOMETERS

TELETHERMOMETERS 11x62 mm



LF Code	GEV code	Model	Colour	bulb	Temperature range	Capillary mm
3441069	541160	ARTHERMO RN2	Black	ø 8.5x20 mm	-30..+40°C	1500
3441079	541414	CEWAL TRR 62.11	White	ø 8.5x20 mm	-40..+40°C	1500

TELETHERMOMETERS 58x25 mm



Photo	LF Code	GEV code	Brand	Colour	Model	bulb	Temperature range	Capillary mm	Suitable for
1	3441090	LF3441090	ARTHERMO	Black	ROF-88	ø 8.4x25 mm	-30..+40°C	1500	FRIGOMAT
1	3441001	541080	ARTHERMO	Black	ROF-88	ø 8.4x25 mm	-40..+40°C	2500	ELECTROLUX-ZANUSSI-MARENO
2	3441913	541191	ARTHERMO	Black	ROF-88	ø 6x60 mm	-40..+40°C	2500	ANGELO PO-SAGI
3	3441078	LF3441078	ARTHERMO	Black	ROF-88	ø 6x30 mm	-40..+40°C	2000	IARP
4	3441081	541081	CEWAL	White	TR58.25 P	ø 8.4x20 mm	-40..+40°C	1000	MONDIAL-FRAMEC
5	3441082	LF3441082	WIKA	White		ø 8.5x29 mm	-40..+40°C	700	AHT

TELETHERMOMETERS ø 52 mm

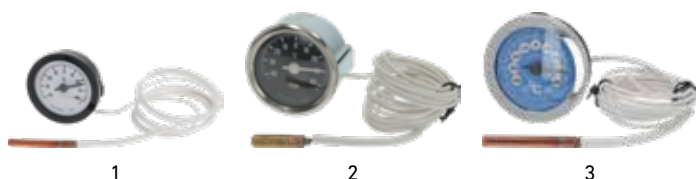


Photo	LF Code	GEV code	bulb	Temperature range	Capillary mm
1	3441901	542479	ø 6x50 mm	-40..+40°C	1500
2	3441002	LF3441002	ø 7,5x40 mm	-40..+40°C	2500
3	3441077	LF3441077	ø 6x50 mm	-40..+40°C	1500

TELETHERMOMETERS

TELETHERMOMETERS ø 60 mm

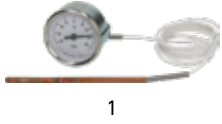


Photo	LF Code	GEV code	bulb	Temperature range	Capillary mm
1	3441003	541082	ø 6x150 mm	-40..+40°C	2000

TELETHERMOMETERS F87R WITH REVERSIBLE FLANGE



LF Code	GEV code	Body diameter mm	bulb	Temperature range	Capillary mm
3441931	542489	60	ø 7.5x30 mm	-40..+40°C	1500
3441932	LF3441932	80	ø 7.5x30 mm	-40..+40°C	1500
3441933	LF3441933	100	ø 7.5x30 mm	-40..+40°C	1500

RANCO SERIES K VARIFIX THERMOSTATS




LF Code	GEV code	Model	Warm	Cold	Capillary length mm	Used for
D444072	391054	K50 P1110	+2°C	-14.5/-23.5°C	1200	Refrigerators
3444918	390545	K50 P1125	+8.5°C	-9.5/-18°C	1200	Refrigerators
3444887	LF3444887	K60 P1013	-4/-10°C	-25°C	1200	Refrigerators with manual defrost
D444075	391056	K54 P1102	-12/-16.5°C	-34°C	2000	Freezers active signal
3444956	390272	K50 P1117	-12/-16.5°C	-34°C	2000	Freezers without signal
D444068	391064	K59 L1102	+3.5/-11°C	+3.5/-26°C	1200	Refrigerators with automatic defrost
3444919	390285	K50 P1115	+11°C	+4/+1.5°C	2000	Liquid / bottle coolers
3444819	LF3444819	K50 P1118	+12.5°C	+2/-3°C	1200	Liquid / bottle coolers

DANFOSS SERVICE KIT THERMOSTATS




LF Code	GEV code	Model	Warm	Cold	Capillary length mm	Used for
3444879	390552	077B-7001	+2/-5.5°C	-13.5/-25°C	1300	Refrigerators
3444880	390553	077B-7002	+0/-7.5°C	-12/-22°C	1300	Refrigerators with manual defrost
3444881	390554	077B-7003	+3.5/-11°C	+3.5/-27.5°C	1600	Refrigerators with automatic defrost
3444882	390555	077B-7004	+3.5/-1°C	-5.5/-11°C	1600	Absorption coolers
3444883	390556	077B-7005	-7.8/-15°C	-21/-32.5°C	2300	Freezers without signal
3444951	390557	077B-7006	-10/-17°C	-24/-34.5°C	2300	Freezers active signal
3444884	390558	077B-7007	-10/-17°C	-24/-34.5°C	2300	Freezers passive signal
3444533	390559	077B-7008	+11.5/+6°C	-1/-8.5°C	2000	Liquid / bottle coolers
3444541	390677	077B-0028	+10.5/+5°C	+3/-4.5°C	1200	Liquid / bottle coolers

THERMOSTATS

THERMOSTATS



1



2

Photo	LF Code	GEV code	Range	Capillary length mm
1	3744129	390012	-35/+35°C	1500
2	3744130	390011	-35/+35°C	-
3	3744231	390674	0/+40°C	1500
4	3744229	390010	-35/+35°C	1500
5	3744230	390673	0/+40°C	1500

PRODIGY THERMOSTATS

PRODIGY
italiana



F2000



2000A



TR711N

LF Code	GEV code	Model	Range	Capillary length mm
3444993	390536	F2000	-35/+35°C	1500
3444976	390537	F2000	0/+40°C	1500
3444800	LF3444800	F2000	0/+60°C	1500
3444801	390595	F2000	+30/+90°C	1500
3444799	390952	F2000	+30/+120°C	1500
3444996	390538	2000A	-35/+35°C	-
3444977	LF3444977	2000A	0/+40°C	-
3444172	390534	TR711N	-35/+35°C	1500
3744235	390535	TR711N	0/+40°C	1500

ARTHERMO THERMOSTATS




ARTH093/096



ARTH094/095



ARTH090

LF Code	GEV code	Model	Range	Capillary mm
3744127	LF3744127	ARTH093	-35..+35°C	1500
3744128	LF3744128	ARTH094	-35..+35°C	
3744131	LF3744131	ARTH096	0..40°C	1500
3744133	LF3744133	ARTH090	0..40°C	spiral
3744132	LF3744132	ARTH095	0..40°C	

ARTHERMO THERMOSTATS




TR2



TSC 093C



TSC 094C



TSC 093C+24W

LF Code	GEV code	Model	Range	Capillary mm
3444989	391082	TR2	-35..+35°C	1500
3444987	LF3444987	TSC 093C	-35..+35°C	1500
3444988	LF3444988	TSC 094C	-35..+35°C	
3444986	LF3444986	TSC 093C+24W	-35..+35°C	1000

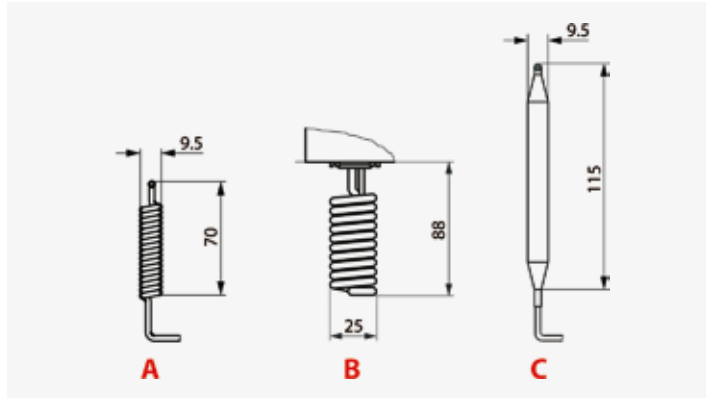
CAREL RTA THERMOSTATS




LF Code	GEV code	Model	Range	Differential	Power supply	Probe
3444722	LF3444722	RTA200A230	-35/-5°C	230V	1-NTC	1/10°C
3444723	LF3444723	RTA200B230	-10/+20°C	230V	1-NTC	1/10°C
3444724	LF3444724	RTA200C230	+5/+35°C	230V	1-NTC	1/10°C

THERMOSTATS

DANFOSS KP THERMOSTATS



KP

LF Code	GEV code	Model	Calibration range	Bulb type	Reset	Differential
3744103	390487	KP61-060L1128	-30..+13°C	A	aut w/hand switch	2..10°C
3744163	LF3744163	KP61-060L1182	-30..+13°C	A	aut	2..10°C
3444890	390494	KP62-060L1110	-30..+15°C	B	aut w/hand switch	2..10°C
3444544	390491	KP71-060L1115	-5..+20°C	C	man	-
3444895	390490	KP71-060L1113	-5..+20°C	C	aut	2..10°C

ELECTRONIC CONTROLLERS

ACCESSORIES FOR CONTROLLERS



Photo	LF Code	GEV code	Description
1	7101290	LF7101290	plastic protection
2	3445442	LF3445442	Plastic protection for standard formats (71x29) on terminal blocks

ADAPTERS FOR CONTROLLERS

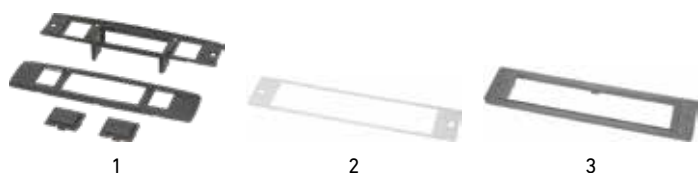


Photo	LF Code	GEV code	Description
1	3445305	378551	plastic adapter reduce hole from 150x31 mm to 71x29 mm
2	3445407	LF3445407	aluminium adapter reduce hole from 150x31 mm to 138x29 mm
3	3445406	381303	plastic adapter EVCO for EVS

DIGITAL THERMOMETER



LF Code	GEV code	Model	Power supply	Probe	Display	Mounting hole	Depth	Features
3445294	379778	EUREMA TE01	230V	PTC	59x26 mm	58 mm		2 red digits
5060764	378472	EUREMA TE01DEF	230V	PTC	59x26 mm	73 mm	output of 230V	
3445160	379518	AKO D14023	230V	NTC (included)	71x29 mm	43 mm		3 red digits
3445537	378274	ARTHERMO ROF-DIG	230V	NTC (included)	59x26 mm			3 red digits
7101730	LF7101730	DIXELL XT11S-0010N	12Vac/dc	NTC (included)	59x26 mm	20 mm	1 min delay time - offset adjustment +/-10°C	3 red digits
3445351	378693	DIXELL XT11S-5000N	230V	NTC (included)	59x26 mm	20 mm	offset adjustment +/-10°C	3 red digits
2101714	LF2101714	ELIWELL EM300LX	12Vac/dc	NTC	71x29 mm	30 mm	serial port TTL	3 red digits
3445259	378701	ELIWELL EM300LX	230V	NTC	71x29 mm	30 mm	serial port TTL	3 red digits

ELECTRONIC CONTROLLERS

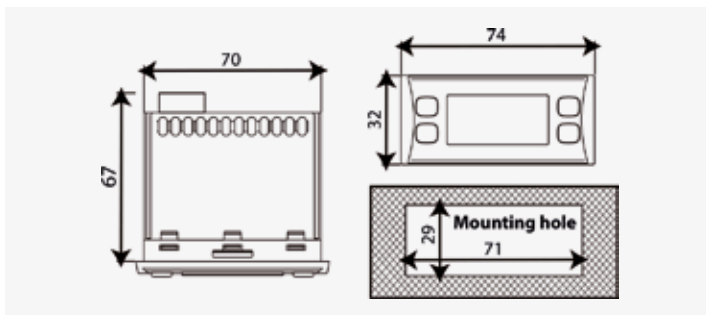
ELIWELL IC PLUS ELECTRONIC CONTROLLERS



IC

LF Code	GEV code	Model	Relay outputs	Power supply	Probe	Unit of measurement
3445088	379790	IC PLUS 915	8A Out1-8A Out2	12Vac/dc	1-NTC/PTC	°C
3445089	379832	IC PLUS 915	8A Out1-8A Out2	230V	1-NTC/PTC	°C
3445043	378380	IC915LX/P	8A Out1-8A Out2	230V	0-20 mA/4-20 mA	Bar
3445044	379830	IC PLUS 902	8A Conf.	230V	0-1V 0-5V 0-10V 0-20mA 4-20mA	%RH

ELIWELL EW-EW PLUS ELECTRONIC CONTROLLERS



EW

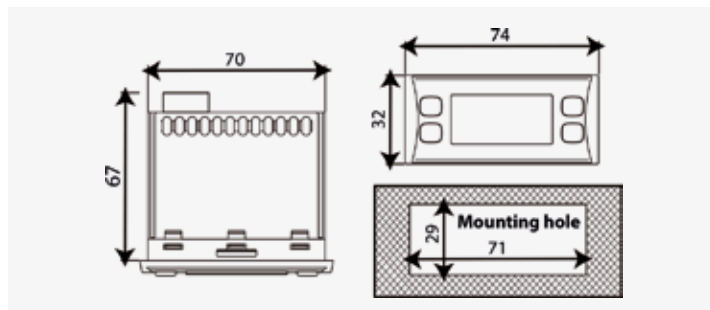


EW PLUS

LF Code	GEV code	Model	Eliwell Code	Relay outputs	Power supply	Probe	Digital input	Suitable for
3445478	LF3445478	EW961	EW17DI0XCH705	2Hp Comp	230V	1-NTC	1	configured TECNODOM
3445414	381403	EWPlus 974	EW2EDI0XC4715	2Hp Comp-8A Aux-5A Aux	230V	2-NTC	1	configured ISA TASSELLI
3445415	381546	EWPlus 974	EW2EDI0XC4712	12A Comp-8A Aux-5A Aux	230V	2-NTC	1	configured ISA TASSELLI

ELECTRONIC CONTROLLERS

ELIWELL ID-ID PLUS ELECTRONIC CONTROLLERS

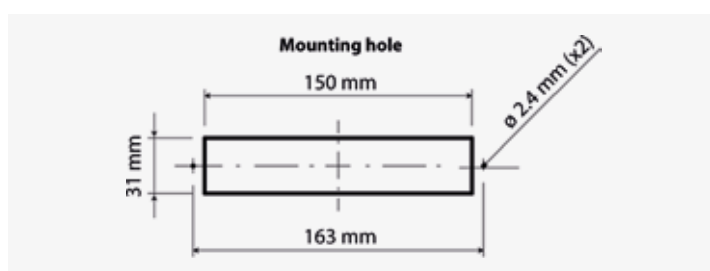


ID PLUS

ID

LF Code	GEV code	Model	Relay outputs	Power supply	Probe	Digital input	RTC
3445399	378644	IDPLUS 902	8A Comp	12Vac/dc	1-NTC/PTC/PT1000	1	
3445375	378303	IDPLUS 902	8A Comp	230V	1-NTC/PTC/PT1000	1	
3445400	379837	IDPLUS 961	20A Comp	12Vac/dc	1-NTC/PTC/PT1000	1	
3445376	378298	IDPLUS 961	20A Comp	230V	1-NTC/PTC/PT1000	1	
3445401	378437	IDPLUS 971	20A Comp-8A Def	12Vac/dc	2-NTC/PTC/PT1000	2	
3445377	378304	IDPLUS 971	20A Comp-8A Def	230V	2-NTC/PTC/PT1000	2	
3445402	379836	IDPLUS 974	20A Comp-8A Def-5A Fan	12Vac/dc	2-NTC/PTC/PT1000	2	
3445378	378299	IDPLUS 974	20A Comp-8A Def-5A Fan	230V	2-NTC/PTC/PT1000	2	
3445066	378136	ID975LX	8A Comp-8A Def-5A Fan-5A Alarm	12Vac/dc	2-NTC/PTC	1	
3445389	378436	IDPLUS 978	16A Comp-8A Def-5A Fan-5A Alarm	230V	2-NTC/PTC/PT1000	2	
3445067	LF3445067	ID985LX	8A Comp-8A Def-8A Fan-5A Alarm	12Vac/dc	3-NTC/PTC	2	x

ELIWELL IWC ELECTRONIC CONTROLLERS



IWC-S

IWC

LF Code	GEV code	Model	Relay outputs	Power supply	Probe	Digital input	Depth mm
3445079	LF3445079	IWC720S	16A Comp-8A Light	230V	1-NTC Faston 2.8 mm	1	45
3445525	378142	IWC720S	16A Comp-8A Light	230V	1-NTC JST	1	45
3445085	378141	IWC730S	16A Comp-20A Def-8A Fan	230V	2-NTC	1	45
3445078	378139	IWC750	16A Comp-20A Def-8A Fan-8A Alarm-8A Aux/Light	230V	2-NTC	1	69

ELECTRONIC CONTROLLERS

ELIWELL IWP ELECTRONIC CONTROLLERS



LF Code	GEV code	Model	Relay outputs	Power supply	Probe	Digital input	RTC
3445387	378218	IWP750LX	20A-16A-8A-8A-8A Comp-Def-Fan-Alarm-Light-Aux	230V	3-NTC/PTC	4	x

ELIWELL IWK WIDE BOARDS DISPLAY



LF Code	GEV code	Model	Features
3445388	378216	IWK WIDE	6 buttons keyboard

ELIWELL IS-EWEM ELECTRONIC CONTROLLERS



IS



EWEM



Cable

LF Code	GEV code	Model	Description	Relay outputs	Power supply	Probe	DI	Depth mm	Dimensions LxHxD mm
3445037	379398	IS972LX				1	30		Remote display
3445038	379533	EWEM233	15A Comp-10A Fan-16A Def	230V	2-NTC/PTC			70x85x53	Power unit
2102327	378138	IS974LX				1	30		Remote display
5061869	378140	EWEM243	15A Comp-10A Def-8A Fan-8A Aux/Alarm	230V	2-NTC/PTC			70x85x53	Power unit
3445027	379534	10 poles							telephonic cable 1000 mm
2111317	381400	10 poles							telephonic cable 3000 mm

ELIWELL EWDR ELECTRONIC CONTROLLERS



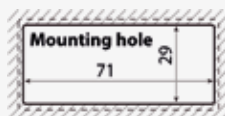
EWDR

LF Code	GEV code	Model	Relay outputs	Power supply	Probe	Digital input	Serial port RS-485	RTC	Dimensions LxHxW mm
3445069	378205	EWDR 981	16A Comp	230V	2-NTC/PTC	2			70x85x61
3445071	378696	EWDR 983	16A Comp-8A Def	230V	3-NTC/PTC	2			70x85x61
2102027	378378	EWDR 983 CS LX	16A Comp-8A Def	230V	3-NTC/PTC	2	x	x	70x85x61
3445526	378206	EWDR 985	16A Comp-8A Def-8A Fan-8A Light	230V	3-NTC/PTC	2			70x85x61
3445072	378379	EWDR 985 CS LX	16A Comp-8A Def-8A Fan-8A Light	230V	3-NTC/PTC	2	x	x	70x85x61

mounting on DIN slideway

ELECTRONIC CONTROLLERS

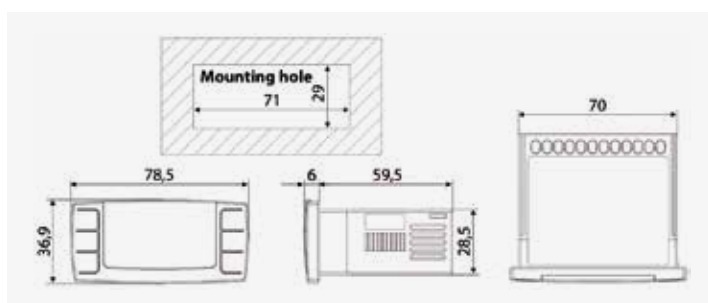
DIXELL XR-CX E-CLASS ELECTRONIC CONTROLLERS



XR-CX SHORT

LF Code	GEV code	Model	Relay outputs	Power supply	Probe	Digital input	Suitable for
3445440	378267	XR02CX-5N0C1	20A Comp	230V	1-NTC	1	
3445443	LF3445443	XR03CX-5N0C1	20A Comp-8A Aux	230V	1-NTC	1	
3445444	LF3445444	XR04CX-5N0C1	20A Comp-8A Defr	230V	2-NTC		
3445207	LF3445207	XR04CX-5N0C1	20A Comp-8A Fan	230V	2-NTC		EMMEPI
3445441	378273	XR06CX-5N0C1	20A Comp-8A Def-5A Fan	230V	2-NTC	1	

DIXELL XR-CX ELECTRONIC CONTROLLERS



XR-CX

LF Code	GEV code	Model	Relay outputs	Power supply	Probe	Digital input	Suitable for
2102676	402192	XR10CX-5N0C1	20A Comp	230V	1-NTC/PTC	1	
3445170	378700	XR20CX-0N0C1	20A Comp	12Vac/dc	1-NTC/PTC	1	
3445171	378000	XR20CX-5N0C1	20A Comp	230V	1-NTC/PTC	1	
3445172	378736	XR30CX-0N0C1	20A Comp-8A Aux/Alarm	12Vac/dc	1-NTC/PTC	1	
3445173	379665	XR30CX-5N0C1	20A Comp-8A Aux/Alarm	230V	1-NTC/PTC	1	
3445174	LF3445174	XR40CX-0N0C1	20A Comp-8A Def	12Vac/dc	2-NTC/PTC	1	
3445175	378384	XR40CX-5N0C1	20A Comp-8A Def	230V	2-NTC/PTC	1	
3445412	S0209063	XR44CX-0N0C8	16A Comp1-16A Comp2-16A Def1-16A Def2	12Vac/dc	3-NTC/PTC	1	ISA-TASSELLI
3445298	LF3445298	XR60CX-0N0C3	16A Comp-8A Def-8A Fan	12Vac/dc	2-NTC/PTC	1	
5030321	378224	XR60CX-5N0C0	8A Comp-8A Def-5A Fan	230V	2-NTC/PTC	1	
3445297	402144	XR60CX-5N0C1	20A Comp-8A Def-5A Fan	230V	2-NTC/PTC	1	
5072543	LF5072543	XR64CX-5N0C0	8A Comp-8A Def1-8A Def2-5A Fan	230V	3-NTC/PTC	1	
3445248	LF3445248	XR70CX-0N0C8	16A Comp-16A Def-16A Fan-16A Light/Alarm	12Vac/dc	2-NTC/PTC	1	
3445390	378221	XR70CX-5N0C3	16A Comp-8A Def-5A Fan-8A Light/Alarm	230V	2-NTC/PTC	1	
3445428	378492	XR72CX-0N0C8-U	16A Comp1-16A Comp2-16A Def-16A Fan	12Vac/dc	2-NTC	1	ISA-TASSELLI
7106793	LF7106793	XR72CX-0N0C8	16A Comp1-16A Comp2-16A Def-16A Fan	12Vac/dc	2-NTC	1	
7106545	378730	XR80CX-5N0C1	20A Comp-8A Agt	230V	1-NTC	1	

DIXELL UNIVERSAL R4 ELECTRONIC CONTROLLER



LF Code	GEV code	Model	Relay outputs	Power supply	Probe	Digital input
3445396	381408	UNIVERSAL R4	8A Comp-8A Def-7A Fan-8A Aux/Alarm	12Vac/dc-230V	2-NTC/PTC	2

DIXELL XR-CH ELECTRONIC CONTROLLERS

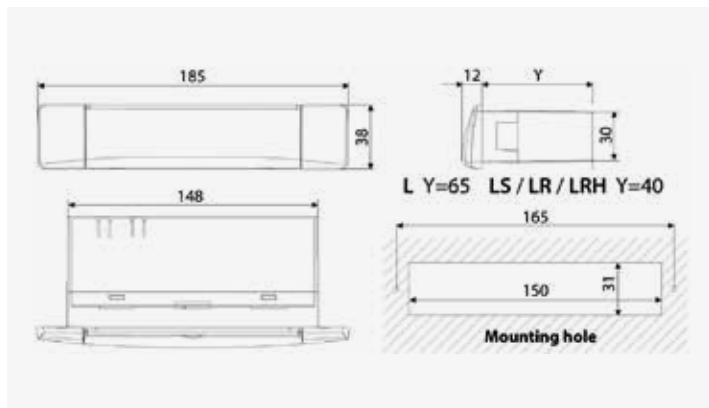


XR-CH

LF Code	GEV code	Model	Relay outputs	Power supply	Probe	Digital input	Suitable for
3445518	LF3445518	XR10CH-5N2C1	20A Comp	230V	1-NTC	1	EMMEPI
5116646	378532	XR20CH-5N0C1	20A Comp	230V	1-NTC	1	
3445451	LF3445451	XR20CH-5R0C1	20A Comp	230V	1-NTC	1	
3445543	378488	XR20CH-5G0C3	16A Comp	230V	1-NTC	1	MERCATUS
5116757	378558	XR30CH-5N0C1	20A Comp-8A Light/Allarm	230V	1-NTC	1	
3445412	S0209063	XR44CH-0N0C8	16A Comp1-16A Comp2-16A Def1-16A Def2	12Vac/dc	3-NTC	1	ISA-TASSELLI
3445452	LF3445452	XR60CH-5R0C1	20A Comp-8A Def-5A Fan	230V	2-NTC	1	
3445519	LF3445519	XR60CH-5N2C1	20A Comp-8A Def-5A Fan	230V	2+1-NTC	1	EMMEPI
3445520	LF3445520	XR70CH-5N2C3	16A Comp-8A Def-5A Fan-8A Alarm	230V	2+1-NTC	1	EMMEPI

ELECTRONIC CONTROLLERS

DIXELL XW-L/LS/LR/LRH ELECTRONIC CONTROLLERS



LF Code	GEV code	Model	Relay outputs	Power supply	Probe	Digital input	X-REP	Suitable for
5049126	378697	XW20LS-5N0C0	20A Comp-8A Conf	230V	2-NTC			IFI DSL
5075191	LF5075191	XW20LS-5N6C3-W	20A Comp-8A Conf	230V	2-NTC			IFI DSL
3445178	378222	XW20LS-5N0C1	20A Comp-8A Light	230V	1-NTC	1		
3445449	378703	XW20LR-5N0C0	20A Comp-8A Light	230V	2-NTC	1		
3445453	LF3445453	XW20LRH-5N0C0-D	16A Comp-8A Light	230V	2-NTC	2		
3445180	378228	XW20L-5N0C1	20A Comp-8A Light	230V	1-NTC	2		
2104028	LF2104028	XW30LS-5N0C1	20A Comp-8A Fan-8A Light	230V	1-NTC			
5078111	S0208413	XW30LS-5N0C3-X	20A Comp-8A Light/Def-8A Fan	230V	1-NTC			ISA TASSELLI
5069423	LF5069423	XW30LS-5N0C0-N	20A Comp-8A Conf-8A Conf	230V	2-NTC			IFI DSL
2106197	378706	XW30LS-5N6C3-W	20A Comp-8A Conf-8A Conf	230V	2-NTC			IFI DSL
3445197	402193	XW30L-00000	20A Comp-8A Fan-8A Light	230V	2-NTC			IFI DSL
5075984	LF5075984	XW30L-5N0C0	20A Comp-8A Def-8A Fan	230V	2-NTC	1		
5066444	378526	XW30LRH-5N1D0-D	16A Comp-5A Fan-8A Light	230V	2-NTC	2		CORECO
3445236	378387	XW40LS-5N0C1	20A Comp-8A Def-8A Light	230V	2-NTC	1		
3445384	LF3445384	XW40LS-5N0D3-X	20A Comp-8A Fan-8A Light	230V	1-NTC			VAUCONSANT
3445230	379655	XW40L-5N0C1	20A Comp-8A Def-8A Light	230V	2-NTC	2		
3445391	402159	XW40L-5L0D8-X	16A Comp-16A Def-16A Light	230V	2-NTC			INFRICO
3445179	378223	XW60LS-5N0C1	20A Comp-8A Def-8A Fan	230V	2-NTC	1		
3445450	S0209045	XW60LR-5N0C0	20A Comp-8A Def-5A Fan-5A Light	230V	3-NTC	2		
3445454	LF3445454	XW60LRH-5N0C0-D	16A Comp-16A Def-5A Fan-5A Light	230V	2-NTC	2		
5063222	378689	XW60L-5N0C0	20A Comp-8A Def-8A Fan-8A Light	230V	3-NTC	2		LAINOX-MARENO-POLARIS
3445181	378229	XW60L-5N0C1	20A Comp-8A Def-8A Fan-8A Light	230V	2-NTC	2		
3445521	378735	XW60LH-5N6C1-D	20A Comp-8A Def-8A Fan-8A Light	230V	2-NTC	1	x	EMMEPI
3445392	379699	XW60L-5L0D0-X	20A Comp-8A Def-8A Fan-16A Light	230V	2-NTC	1		INFRICO
3445435	378691	XW60L-5N0D1-X	20A Comp-8A Aux-8A Fan-8A Light	230V	1+1-NTC	2		DGD
2104961	LF2104961	XW60L-5N0D1-X	20A Comp-8A Def-8A Fan-8A Light	230V	2-NTC	1		VAUCONSANT
7107867	LF7107867	XW70L-5N0C1	20A Comp-8A Def-8A Fan-8A Light-8A Aux	230V	3-NTC	2	x	
3445539	378530	XW70LH-5N0W0-B	20A Comp-8A Def-8A Fan-8A Light-8A On/Off	230V	3-NTC	2		MERCATUS
5088030	LF5088030	XW70LT-5N7W0-R	20A Comp-12A Def-8A Fan-8A Light-8A Aux	230V	2+2-NTC	2		GINOX
3445257	378388	XW220L-5N0C1	20A Comp-16A Light	230V	2-NTC	1 ds+1 conf	x	
3445322	378389	XW230L-5N0C0	20A Comp-16A Light-16A Aux-8A Alarm	230V	2-NTC	1 ds+1 conf		
3445231	381580	XW260L-5N0C5	20A Comp-8A Def-8A Fan-16A Light	230V	3-NTC	1 ds+1 conf	x	
3445413	S4000413	XW260L-5N0D0-X	20A Comp-16A Def-8A Fan-8A Aux	230V	3-NTC	1 ds+1 conf		ISA TASSELLI
3445251	378386	XW264L-5N0C5	20A Comp-8A Def-8A Def-2-8A Fan-16A On/Off-16A Light	230V	3-NTC	1 ds+1 conf	x	
7105111	LF7105111	XW270L-5N0C0	20A Comp-8A Def-8A Fan-8A Alarm-16A Aux-16A Light	230V	3-NTC	1 ds+1 conf		
3445237	LF3445237	XW271L-5N0C1	20A Comp-8A Def-8A Fan-8A Alarm-16A Heater-16A Light	230V	3-NTC	1 ds+1 conf	x	

ds = door switch

DIXELL XW-K ELECTRONIC CONTROLLERS

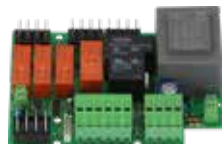



XW-K

LF Code	GEV code	Model	Relay outputs	Power supply	Probe	Digital input	RTC
3445246	379660	XW220K-5N0C0	20A Comp-16A Light	230V	2-NTC	1 ds+1 conf	
3445247	378225	XW260K-5N0C0	20A Comp-16A Light-8A Def-8A Fan	230V	3-NTC	1 ds+1 conf	
3445347	378385	XW270K-5N0C0	20A Comp-16A Light-8A Def-8A Fan-8A Alarm-16A Aux	230V	3-NTC	1 ds+1 conf	
7100499	LF7100499	XW271K-5N0C0	20A Comp-16A Light-8A Def-8A Fan-8A Alarm-16A Heater	230V	3-NTC	1 ds+1 conf	
2101982	LF2101982	XW570K-5N0C4	20A Comp-16A Light-8A Def-8A Fan-8A Alarm-16A Aux	230V	3-NTC	1 ds+1 conf	x

ds = door switch

DIXELL XM-K ELECTRONIC CONTROLLERS

XM-K

LF Code	GEV code	Model	Relay outputs	Power supply	Probe	Digital input	RTC	X-REP	Suitable for
3445418	378745	XM470K-510C1	8A Comp-16A Light-8A Fan-20A Def-8A Aux	230V	3-NTC	1 es+1 conf	x	x	ISA-TASSELLI
3445420	LF3445420	XM470K-510C1	20A Comp-16A Light-8 Fan-8 Def-8A Aux	230V	2-NTC	1 ds+ ts	x	x	ISA-TASSELLI

ds = door switch es = energy saving ts = touch sensor

DIXELL XW-K ELECTRONIC CONTROLLERS




LF Code	GEV code	Model	Relay outputs	Power supply	Probe	Digital input	Suitable for
5072143	378555	XW60K-5N2C0	20A Comp-16A Light-16A Def-8A Fan	230V	4-NTC	1	
2102991	LF2102991	XW60K-5L2C0	20A Comp-16A Light neon-Aux-16A Def-8A Fan	230V	4-NTC	1	
5030856	S0212132	XW764K-5L2C0	8A Comp-16A Light neon-8A Def1-8A Def2-8A Fan-16A On/off	230V	3-NTC	3	IFI-DSL

ELECTRONIC CONTROLLERS

DIXELL C-T-V DISPLAY BOARDS



X-REP



CX



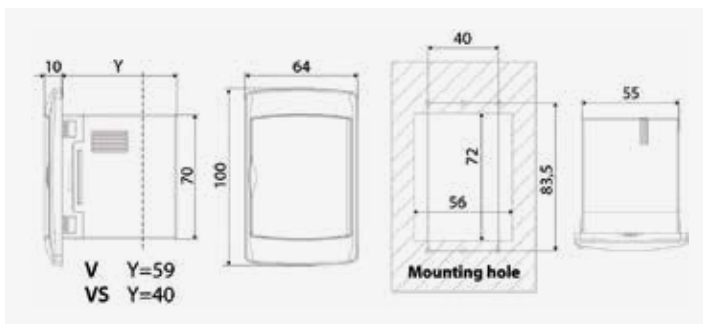
T



V

LF Code	GEV code	Model	Features	Suitable for
2102254	378645	X-REP-00000	display remote	
5068548	378640	CX620-000N0	6 buttons keyboard	
3445245	379658	T620-000C0	6 buttons keyboard	
5052544	378278	T640-000C0	6 buttons keyboard	
5054626	S0209922	T670-000C1	6 buttons keyboard	IFI DSL
3445348	378442	T820-000C0	8 buttons keyboard	
7100498	381591	T821-000C0	8 buttons keyboard	
3445417	LF3445417	T840-100D0-X	8 buttons keyboard	ISA TASSELLI
5074970	LF5074970	V620-100C0	6 buttons keyboard	

DIXELL XW-V/VS ELECTRONIC CONTROLLERS



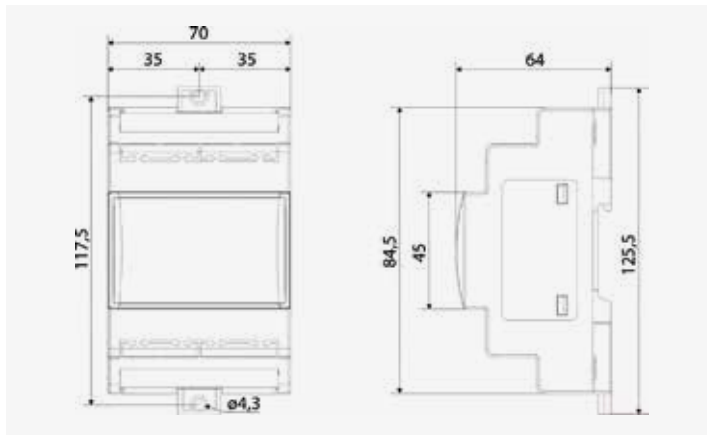
XW-VS



XW-V

LF Code	GEV code	Model	Relay outputs	Power supply	Probe	Digital input	Suitable for
3445182	378377	XW20VS-5N0C0 SHORT	16A Comp-16A Light	2-NTC	1	230V	
5051507	LF5051507	XW30V-5N0C1	20A Comp-8A Light-16A Fan/Heater	2-NTC		230V	IFI-DSL
3445299	LF3445299	XW35VS-5N0C0 SHORT	16A Comp-16A Light-8A Fan	2-NTC	1	230V	
3445300	378422	XW60VS-5N0C0 SHORT	16A Comp-16A Def-8A Fan	3-NTC	1	230V	
3445301	378423	XW60V-5N0C1	20A Comp-16A Light-8A Def-8A Fan	2-NTC	1	230V	

DIXELL XR-D ELECTRONIC CONTROLLERS



XR-D

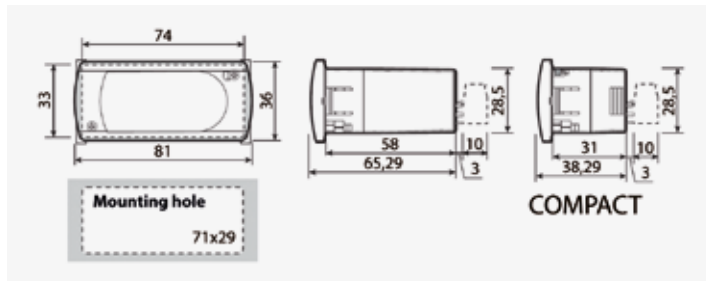
LF Code	GEV code	Model	Relay outputs	Power supply	Probe	Digital input
3445368	LF3445368	XR20D-5N0C1	20A Comp	230V	1-NTC/PTC	1
3445369	LF3445369	XR30D-5N0C1	20A Comp-8A Aux/Alarm	230V	1-NTC/PTC	1
3445370	LF3445370	XR40D-5P0C1	20A Comp-8A Def	230V	2-NTC/PTC	1
3445371	381567	XR60D-5N0C1	20A Comp-8A Def-8A Fan	230V	2-NTC/PTC	1
3445372	S0071414	XR160D-5N0C1	8A Comp-8A Def-8A Fan	230V	3-NTC/PTC	1 ds+1 conf

ds = door switch

ELECTRONIC CONTROLLERS

CAREL PJ-PY ELECTRONIC CONTROLLERS

CAREL



PJ COMPACT

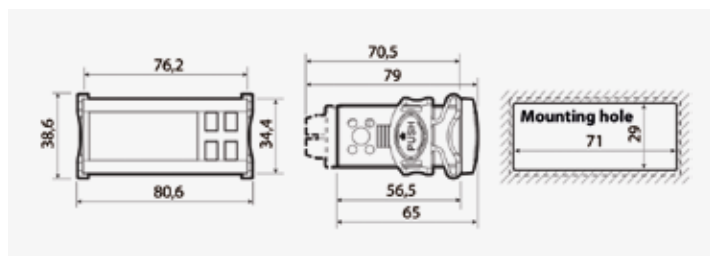
PJ

LF Code	GEV code	Model	Relay outputs	Power supply	Probe	Digital input	RTC	Light switch	Suitable for
2102955	LF2102955	PJEZSNH0E0 COMPACT	30A Comp	230V	1-NTC				
5104943	378030	PJEZSNH000 COMPACT	30A Comp	230V	2-NTC				
3445215	370886	PJEZS00000	8A Comp	230V	2-NTC		1		MERCATUS
5057406	378721	PJEZS0P000	16A Comp	230V	2-NTC		1		
5058938	378329	PYA01C0522	12A Comp	230V	1-NTC				AFINOX
5055066	378673	PYC01SN59F	12A Comp	230V	1-NTC		1		CORECO-FAGOR
5040535	378705	PJEZS0H000	30A Comp	230V	2-NTC		1		MERCATUS
3445216	LF3445216	PJEZS0A000	8A Comp-8A Aux	230V	2-NTC		1		
3445249	LF3445249	PJS1Y0P000	16A Comp-8A Agt	230V	2-NTC		1		
2101745	LF2101745	PJEZS0G000	30A Comp-8A Aux	230V	2-NTC		1		
2102337	S0207123	PJEZY0H000	30A Comp-8A Def	230V	2-NTC		1		
3445217	378690	PJEZC00000	8A Comp-8A Def-8A Fan	230V	2-NTC		1		ILSA-WHIRLPOOL
5051488	379779	PYC01LO51G	12A Comp-8A Def-8A Fan	230V	2-NTC		1		CORECO-FAGOR
3445523	378370	PYA01R0523	10A Comp-8A Def-8A Fan	230V	2-NTC	x			AFINOX
3445439	LF3445439	PYIA1Z055P	12A Comp-8A Fan-8A Light	230V	2-NTC		1		ISA TASSELLI
3445416	378491	PYIA1Z052N	12A Comp-8A Def-8A Fan	230V	2-NTC				ISA TASSELLI
5068601	378475	PJEZC0P000	16A Comp-8A Def-8A Fan	230V	2-NTC		1		
7100643	378283	PYIL1U0525	16A Comp-8A Def-8A Fan	230V	2-NTC		1		ILSA-WHIRLPOOL
7106435	LF7106435	PJEZC0H000	30A Comp-8A Def-8A Fan	230V	2-NTC		1		
3445332	LF3445332	PJEZC0M000	30A Comp-8A Def-8A Fan	230V	2-NTC	x	1		
3445425	LF3445425	PJS2C0H000	30A Comp-8A Def-8A Light	230V	2-NTC	x	1	x	

ELECTRONIC CONTROLLERS

CAREL IR33 ELECTRONIC CONTROLLERS

CAREL

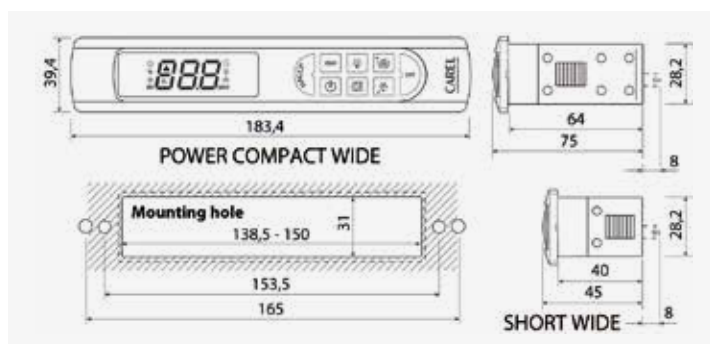


IR

LF Code	GEV code	Model	Relay outputs	Power supply	Probe	RTC	IR	Digital input	Suitable for
3445225	S0103625	IR33S00N00	16A Comp	12Vac	2-NTC			2	
3445908	LF3445908	IR33S0LN00	16A Comp	12/24Vac	2-NTC			2	
3445210	378143	IR33S0LR00	16A Comp	12/24Vac	2-NTC		x	2	
3445204	378144	IR33S0ER00	8A Comp	230V	2-NTC		x	1	
3445209	378643	IR33S0EP00	16A Comp	230V	2-NTC			1	
3445226	378183	IR33Y00N00	16A Comp-8A Def	12Vac	2-NTC			2	
4091609	379512	IREF0EN215	8A Comp-8A Def-5A Fan	230V	2-NTC			1	ELECTROLUX
4093532	S0106298	IREF0EN265	8A Comp-8A Def-5A Fan	230V	2-NTC			1	ELECTROLUX
4092355	379509	IREF0HN245	8A Comp-12A Def-8A Fan	115-230V	2-NTC			1	ELECTROLUX
5072869	LF5072869	IRIAF0EHA1	12A Comp-8A Def-5A Fan	230V	2-NTC			1	ISA-TASSELLI
3445228	S0301079	IR33F0EN00	8A Comp-8A Def-5A Fan	230V	2-NTC			1	
4091642	S0205453	IRELC0HN215	12A Comp-8A Def-8A Fan-8A Aux	115-230V	2-NTC			2	ELECTROLUX
3445227	LF3445227	IR33C00N00	16A Comp-8A Def-8A Fan-8A Aux/Light	12Vac	2-NTC			2	
3445211	378181	IR33C0LB00	16A Comp-8A Def-8A Fan-8A Aux/Light	12/24Vac	2-NTC	x	x	2	
3445909	378182	IR33C0LN00	16A Comp-8A Def-8A Fan-8A Aux/Light	12/24Vac	2-NTC			2	
3445203	378145	IR33C0HB00	16A Comp-8A Def-8A Fan-8A Aux/Light	115/230V	2-NTC	x	x	2	

CAREL PB WIDE ELECTRONIC CONTROLLERS

CAREL



PB WIDE SHORT



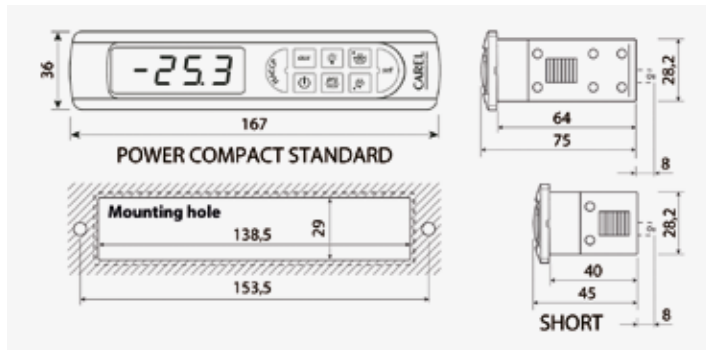
PB WIDE

LF Code	GEV code	Model	Relay outputs	Power supply	Probe	Digital input	Connections	Suitable for
3445224	S0211833	PB00S0SAFA SHORT	30A Comp-8A Aux/Light	115-230V	2-NTC	2	screw	
3394358	402160	PBIFY0EVD51	12A Comp-8A Defr-8A Aux	230V	2-NTC	2	screw	INFRICO
3445219	S0211620	PB00C0SNFA SHORT	30A Comp-8A Def-5A Fan-5A Aux/Light	115-230V	2-NTC	2	screw	
3445222	LF3445222	PB00C0HN00	30A Comp-16A Def-8A Fan-8A Aux/Light	115-230V	2-NTC	2	faston	

ELECTRONIC CONTROLLERS

CAREL PB ELECTRONIC CONTROLLERS

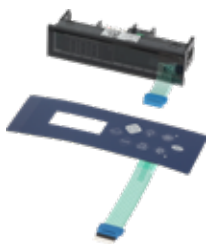
CAREL



LF Code	GEV code	Model	Relay outputs	Power supply	Probe	Digital input	RTC	IR	Connections
3445220	378479	PB00S0EA00	8A Comp-8A Aux/Light	230V	2-NTC	2			screw
3445223	S0210764	PB00S0SA50 SHORT	30A Comp-8A Aux/Light	230V	2-NTC	2			screw
3445221	LF3445221	PB00Y0EV30	16A Comp-8A Def-8A Fan	230V	2-NTC	2			screw
3445218	LF3445218	PB00C0SN30 SHORT	30A Comp-8A Def-5A Fan-5A Aux/Light	230V	2-NTC	2			faston
3445258	378480	PB00F0HA00	16A Comp-8A Def-8A Fan-8A Aux/Light	115-230V	2-NTC	2			screw
3445488	LF3445488	PB00F0HA10	16A Comp-8A Def-8A Fan-8A Aux/Light	115-230V	2-NTC	2			faston
3445373	LF3445373	PB00C0HN00	30A Comp-16A Def-8A Fan-8A Aux/Light	115-230V	2-NTC	2			screw
3445349	S0211943	PB00H0HN00	30A Comp-16A Def-8A Fan-8A Aux/Light-8A Aux2	230V	2-NTC	2			screw
7103785	378652	PB00H0HB00	30A Comp-16A Def-8A Fan-8A Aux/Light-8A Aux2	230V	2-NTC	2	x	x	screw

CAREL PX ELECTRONIC CONTROLLERS

CAREL



LF Code	GEV code	Model	Relay outputs	Power supply	Probe	Digital input	Suitable for
5069861	LF5069861	PXIFFOSN61	12A Comp-5A Fan-8A Aux	230V	2-NTC	2	INFRICO

CAREL POWERSPLIT PSB ELECTRONIC CONTROLLERS

CAREL



PSB

LF Code	GEV code	Model	Relay outputs	Power supply	Probe	Digital input	RTC	Suitable for
2102797	LF2102797	PSB0000000	2Hp Comp-16A Def-10A Fan-16A Light	230V	3-NTC	2 conf+1 ls		
5064671	S0212121	PSB0001100	2Hp Comp-16A Def-10A Fan-10A Alarm-16A Light-10A Aux2	230V	3-NTC	2 conf+1 ls	x	
3445424	S0205646	PSBIA01110	2Hp Comp-16A Def-10A Fan-10A Alarm-16A Light-10A Heater	230V	3-NTC	2	x	ISA-TASELLI

ls = light sensor

CAREL PJEZ EASY SPLIT ELECTRONIC CONTROLLERS

CAREL



LF Code	GEV code	Model	Relay outputs	Power supply	Probe	Digital input	RTC	Suitable for
5087242	LF5087242	PJEZC8I040	4 - 30A-2Hp-16A-16A	230V 50/60Hz	2-NTC		1	
5090596	LF5090596	connection cable 3000 mm						

CAREL POWERSPLIT PST BOARDS DISPLAY

CAREL



PST-VR



PST-LR

LF Code	GEV code	Model	Features	IR	Suitable for
3390390	LF3390390	PST01VR100	1 input NTC probe		ISA-TASELLI
2101052	S0604135	PST00LR200	8 buttons keyboard	x	
3390388	S0205647	PSTIALR400	8 buttons keyboard		ISA-TASELLI

ELECTRONIC CONTROLLERS

CAREL MCH ELECTRONIC CONTROLLERS

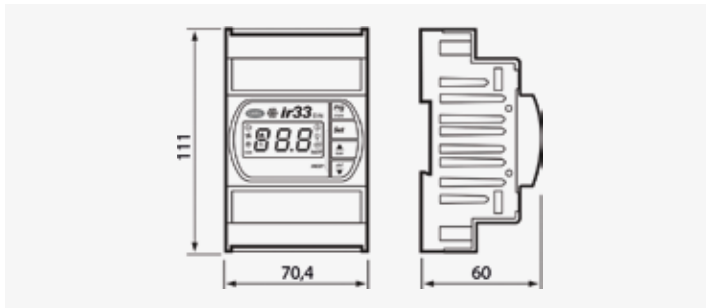
CAREL



LF Code	GEV code	Model	Power supply
3445264	LF3445264	MCH2000000	24Vac

CAREL DN ELECTRONIC CONTROLLERS

CAREL



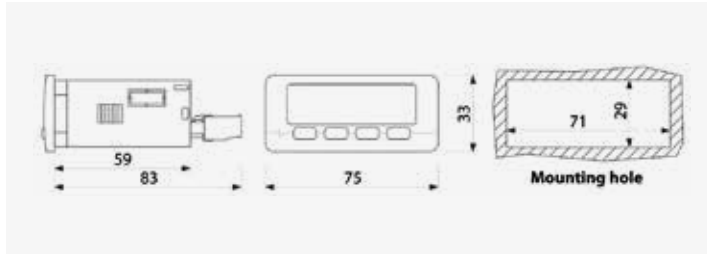
DN

LF Code	GEV code	Model	Relay outputs	Power supply	Probe	RTC	IR	Digital input
3445212	LF3445212	DN33S0EN00	16A Comp	230V	2-NTC			3
3445202	LF3445202	DN33F0ET00	16A Comp-16A Def-8A Fan-8A Aux/Light	230V	2-NTC	x	x	3
3445213	LF3445213	DN33C0LB00	16A Comp-16A Def-8A Fan-8A Aux/Light	12-24Vac	2-NTC	x	x	3

mounting on DIN slideway

ELECTRONIC CONTROLLERS

EVCO EVK ELECTRONIC CONTROLLERS



EVK

LF Code	GEV code	Model	Relay outputs	Power supply	Probe	Digital input	RTC	Energy saving
3445114	378147	EVK211N3	16A Comp	12-24Vac/dc	1-NTC/PTC			
3445113	378148	EVK211N7	16A Comp	230V	1-NTC/PTC			
3445118	378149	EVK212N3	16A Comp-8A Def	12-24Vac/dc	2-NTC/PTC	1		
3445119	378774	EVK202N7	16A Comp-8A Def	230V	2-NTC/PTC			
3445124	378153	EVK213N3	16A Comp-8A Def-8A Fan	12-24Vac/dc	2-NTC/PTC	1		
3445128	378154	EVK203N7	16A Comp-8A Def-8A Fan	230V	2-NTC/PTC			
3445408	LF3445408	EVK214N3	16A Comp-8A Def-8A Fan-8A Light/Conf	12-24Vac/dc	2-NTC/PTC	1 ds+1 conf	x	x
3445409	LF3445409	EVK214N9	16A Comp-8A Def-8A Fan-8A Light/Conf	230V	2-NTC/PTC	1 ds+1 conf	x	x
2103961	LF2103961	EVK422P7	16A Comp-8A Agt	230V	1-NTC/PTC			

ds = door switch

EVCO EV3 ELECTRONIC CONTROLLERS



EV3X



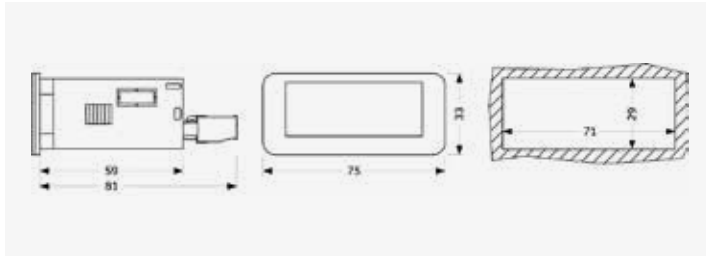
EV3B

LF Code	GEV code	Model	Relay outputs	Power supply	Probe	Digital input	Energy saving
3445479	378443	EV3X21N7	16A Comp	230V	1-NTC/PTC	1	x
3445480	378444	EV3B31N7	30A Comp	230V	1-NTC/PTC	1	x
3445481	LF3445481	EV3B32N7	30A Comp-8A Def/Fan/Light/Alarm	230V	2-NTC/PTC	1	x
3445482	378445	EV3B33N7	30A Comp-8A Def-5A Fan	230V	2-NTC/PTC	1	x
3445513	LF3445513	EV3B43N7	16A Comp-8A Fan(conf.)-5A Light	230V	2-NTC	1 ds	x

ds = door switch

ELECTRONIC CONTROLLERS

EVCO EV3 200 ELECTRICAL CONTROLLERS

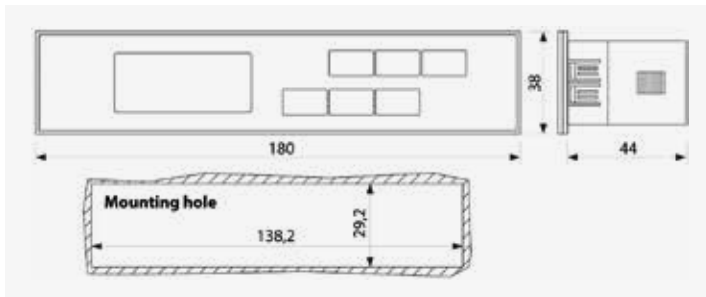


EV3

LF Code	GEV code	Model	Relay outputs	Power supply	Probe	Digital	Energy saving	Overcooling
3445514	LF3445514	EV3121N7	16A Comp	230V	1-PTC/NTC	1	x	x
3445515	LF3445515	EV3122N7	16A Comp-8A Def	230V	2-PTC/NTC	1	x	x
3445516	LF3445516	EV3123N7	16A Comp-8A Def-5A Fan	230V	2-PTC/NTC	1	x	x
3445517	378631	EV3294N9	16A Comp-8A Def-5A Fan-5A Aux	230V	2-PTC/NTC	2	x	x

ds = door switch

EVCO EVR ELECTRONIC CONTROLLERS

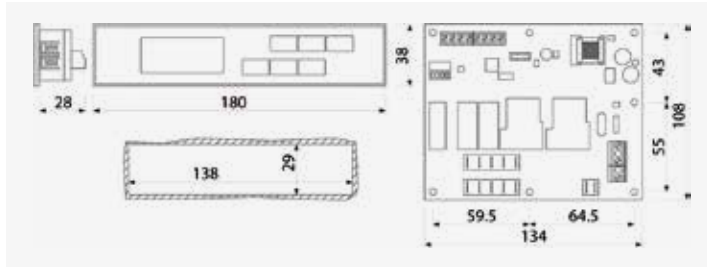


EVR

LF Code	GEV code	Model	Relay outputs	Power supply	Probe	Digital input	Energy saving	Overcooling
3445404	LF3445404	EVR202N7	16A Comp-8A Def/Fan/Aux/Light/Alarm/Heater	230V	2-NTC/PTC	1	x	x
3445483	LF3445483	EVR203N7	16A Comp-8A Def/Light-5A Fan	230V	2-NTC/PTC	1	x	x
3445405	378357	EVR204N7	16A Comp-8A Def-5A Fan-8A Light/Aux/Alarm/Heater	230V	2-NTC/PTC	1 ds+1 conf	x	x

ds = door switch

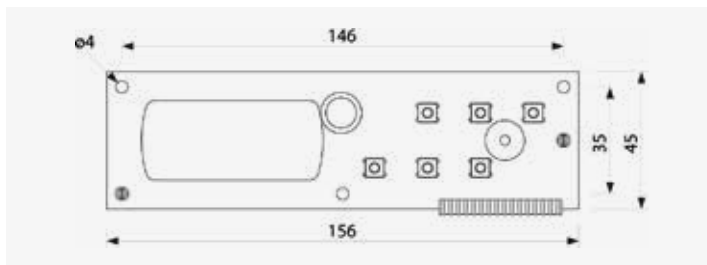
EVCO EVR SPLIT VERSION ELECTRONIC CONTROLLERS



LF Code	GEV code	Model	Relay outputs	Power supply	Probe	Digital input	Energy saving	Overcooling
3445484	LF3445484	EVRS204N9	30A Comp-16A Def-8A Fan-16A Light	230V	2+1-NTC/PTC	2	x	x

ds = door switch

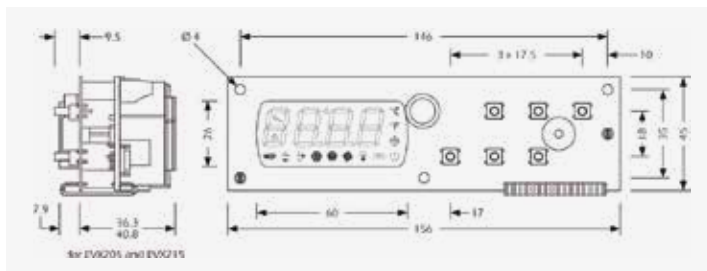
EVCO EVC ELECTRONIC CONTROLLERS



EVC

LF Code	GEV code	Model	Relay outputs	Power supply	Probe	Digital input	Suitable for
5048651	379820	EVC20S35N7ALX30	3	230V	2-NTC	1	LAINOX-MARENO-POLARIS-SILKO
5058356	379850	EVC20S35N7ALX40	4	230V	2-NTC	1	LAINOX-MARENO-POLARIS-SILKO

EVCO EVX ELECTRONIC CONTROLLERS

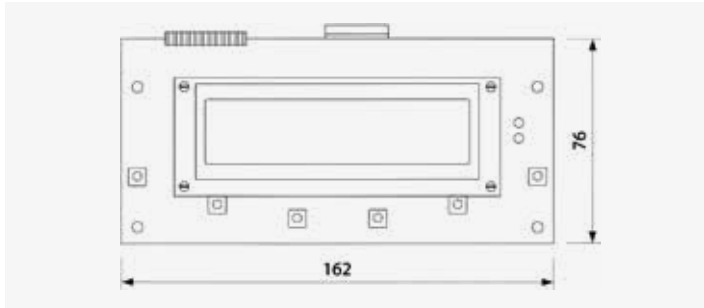


LF Code	GEV code	Model	Relay outputs	Power supply	Probe	Digital input	Suitable for
3445508	381444	EVX003N7XXBXX02	16A Comp-8A Def-8A Fan	230V 50/60Hz	3-NTC	1 ds	OZTIRYAKILER

ds = door switch

ELECTRONIC CONTROLLERS

EVCO CT ELECTRONIC CONTROLLERS



LF Code	GEV code	Model	Relay outputs	Power supply	Probe	Digital input	RTC	Suitable for
3390260	LF3390260	CT1SA0020300	30A Comp-8A Def-5A Evap.fan-5A Cond.fan-5A Light-8A Alar	12Vac	3-NTC	1 ds-1 ps	x	ILSA
5028759	LF5028759	CT1SA0020402	30A Comp-8A Def-5A Evap.fan-5A Cond.fan-5A Light-8A Alar	12Vac	3-NTC 1-4..20mA	1 ds-1 ps	x	SAGI

ds = door switch ps = pressure switch

EVCO EVF ELECTRONICAL CONTROLLERS

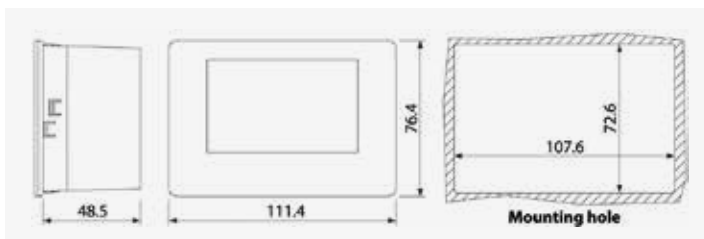


EVF

LF Code	GEV code	Model	Relay outputs	Power supply	Probe	Digital	Energy	Overcooling	RTC
3445511	LF3445511	EVF205	30A Comp-16A Def-8A Fan-16A Aux 1-8A Aux 2	115..230V	3-NTC	2	x	x	
3445512	LF3445512	EVF215	30A Comp-16A Def-8A Fan-16A Aux 1-8A Aux 2	115..230V	3-NTC	2	x	x	x

Digital controllers for refrigerated display cabinets consisting of a user interface with capacitive touch buttons and a control module.

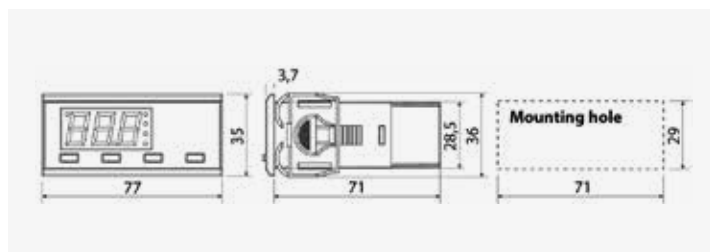
EVCO EVJ 200 ELECTRONIC CONTROLLERS



LF Code	GEV code	Model	Relay outputs	Power supply	Probe	Digital input	Suitable for
5122827	378778	EVJ203N2VX3WXX2	16A Comp-8A Def-16A Light	12Vac/dc	2-NTC	2	INFRICO

ELECTRONIC CONTROLLERS

LAE AC1-5 AT1-5 AT2-5 AR2-5 AD2-5 ELECTRONIC CONTROLLERS

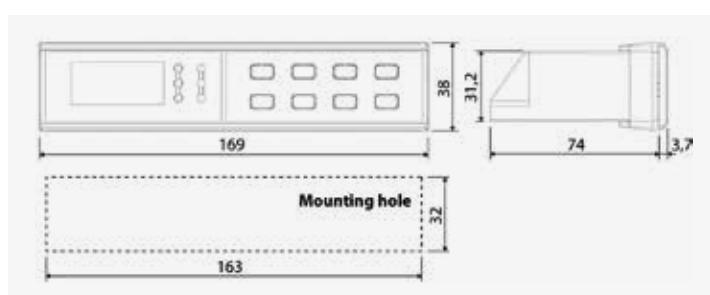


AT/AD

LF Code	GEV code	Model	Relay outputs	Power supply	Probe	Digital input	RTC	DSY
7106476	LF7106476	AC1-5TS2RW-A	12A Out1-7A Out2	115-230V	1-NTC/PTC			
3445473	379768	AC1-5TS2RW-B	12A Out1-7A Out2	115-230V	1-NTC/PTC			
2102285	LF2102285	LTR-5CSRE-A	16A Out1	230V	1-NTC			
3445234	378419	AT1-5AS1E-G	16A Comp	230V	1-NTC/PTC			
3445485	LF3445485	AT1-5AS5E-AG	16A Comp	230V	1-NTC/PTC			
3445374	378420	AT1-5AS2E-G	16A Comp-7A Aux	230V	1-NTC/PTC			
2102845	LF2102845	AT1-5BQ4E-BG	12A Comp-7A Aux	230V	2-NTC/PTC	1-ds		
3445261	LF3445261	AT1-5BS2E-BG	16A Comp-7A Aux	230V	2-NTC/PTC	1-ds		
3445286	378681	AT1-5BS6E-AG	16A Comp-7A Aux	230V	2-NTC/PTC	1-ds		
3445235	379764	AT2-5BS4E-AG	16A Comp-7A Def-7A Fan	230V	2-NTC/PTC	1-ds		
2102320	LF2102320	AD2-5C24W-AG	12A Comp-7A Def-8A Fan-7A Aux	115-230V	3-NTC/PTC	1-ds		x
3445397	379760	AR2-5C24W-BG	12A Comp-7A Def-8A Fan-7A Aux	115-230V	3-NTC/PTC	1-ds	x	x

ds = door switch

LAE LCD-AD ELECTRONIC CONTROLLERS



LCD



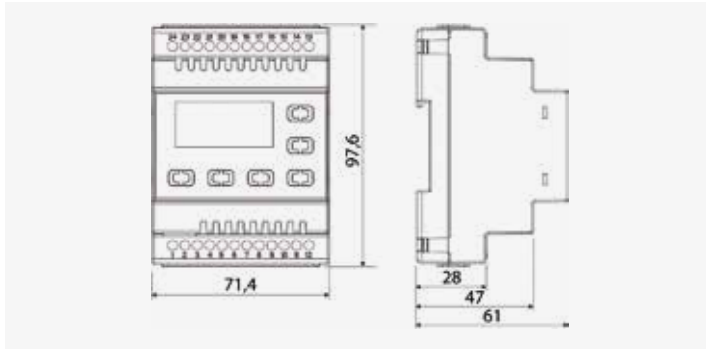
AD

LF Code	GEV code	Model	Relay outputs	Power supply	Probe	Digital input	Connection
5034121	378184	LCD32Q4E-C	20A Comp-12A Def-8A Fan-8A Aux	230V	2-NTC 2K	1 ds+1 conf	faston
3445447	378695	LCD32S4E-C	20A Comp-12A Def-8A Fan-8A Aux	230V	2-NTC 2K	1 ds+1 conf	screw
3445474	379772	AD-32S35W-B	16A Comp-16A Def-7A Fan-7A Aux1-7A Aux2	115-230V	3-NTC	1 ds+1 sync	screw

ds = door switch

ELECTRONIC CONTROLLERS

LAE AC1-27 BR1-27 ELECTRONIC CONTROLLERS

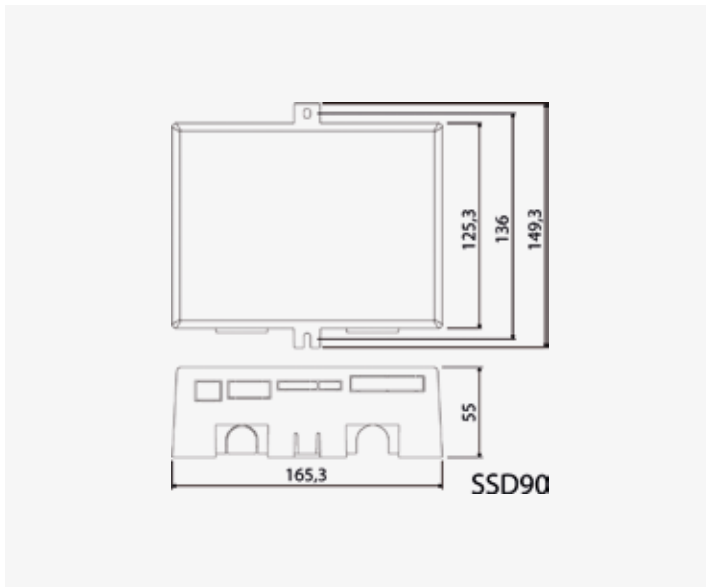


AC1-27 BR1-27

LF Code	GEV code	Model	Relay outputs	Power supply	Probe	Digital input	DSY	RTC
3445472	379766	AC1-27TS2RE-B	16A Out1-16A Out2	230V	1-NTC/PTC			
3445493	LF3445493	BR1-27C1S5W-B	16A Comp-8A Def-16A Fan-7A Aux-7A Aux2	115-230V	3-NTC	2	x	x

mounting on DIN slideway

LAE SSD90 ELECTRONIC CONTROLLERS



SSD90



Probe



Cable



SMD12RU20

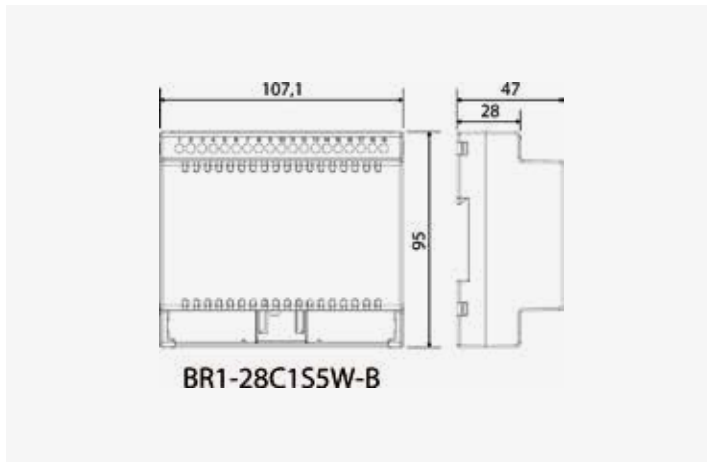


SMD34RU

LF Code	GEV code	Model	Relay outputs	Power supply	Probe	Digital input
3445448	LF3445448	SSD90A45E-C	20A Comp-8A Fan1-8A Fan2-8A Alarm-8A Light	230V	1-PTC	1-door switch
3445290	379484	SSD90B35E-C	20A Comp-12A Def-8A Fan-8A Alarm-8A Light-8A Aux	230V	2-PTC	1-door switch
3445289	LF3445289	SSD90C65E-C	20A Comp-12A Def-8A Fan1-8A Fan2-8A Light-8A Alarm-8A Aux	230V	3-PTC	1-door switch
3445295	378414	PTC probe 2000 mm w/connector				
2102101	403465	10-ways flat cable - 2 m				
3445276	LF3445276	Remote display SMD12RU20				
3445277	379483	Remote display SMD34RU				

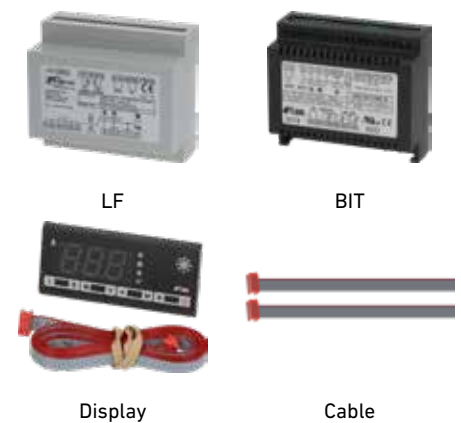
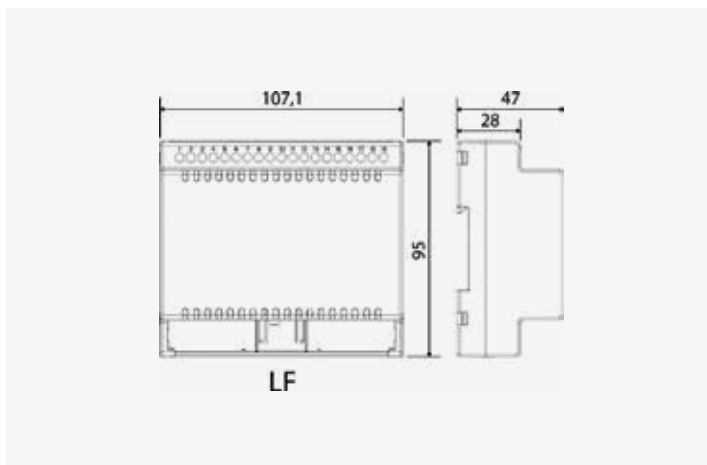
ELECTRONIC CONTROLLERS

LAE BR1-28 ELECTRONIC CONTROLLERS



LF Code	GEV code	Model	Relay outputs	Power supply	Digital input	Probe	RTC
3445475	379803	BR1-28C1S5W-B	16A Comp-16A Def-16A Fan-7A Aux1-7A Aux2	230V	3	3-NTC	X
3445476	381380	Remote display DU5S					
3445477	403598	4 wires w/connector - cable 2 m					

LAE BIT25 LF28 AD2-28 ELECTRONICAL CONTROLLERS



LF Code	GEV code	Model	Relay outputs	Power supply	Probe	Digital input
3445394	403458	BIT25B13E-A	12A Comp-16A Aux1-4A Aux2	230V	2-NTC	2
3445287	403413	LF28B2S3E-1FS	20A Comp-12A Def-7A Fan	230V	2-NTC	1 ds+1 conf
3445312	LF3445312	LF28B2S3E-2FS	20A Comp-12A Def-0,7A Electronic fan	230V	2-NTC	1 ds+1 conf
5065355	378722	AD2-28C1S5E-B	16A Comp-16A Def-8A Fan-7A Aux1-7A Aux2	230V	3-NTC	1 ds+1 conf
3445395	403459	6-ways flat cable - 1.5 m				
3445288	LF3445288	Remote display LCD-5S				

ds = door switch

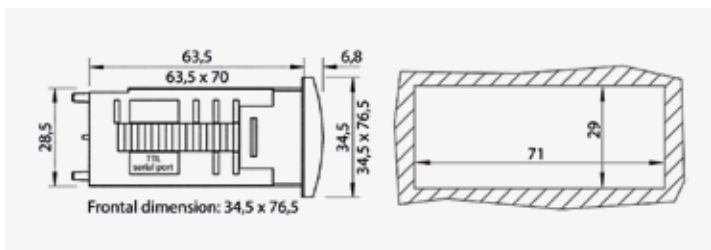
ELECTRONIC CONTROLLERS

AKO D14 ELECTRONIC CONTROLLERS



LF Code	GEV code	Model	Relay outputs	Power supply	Probe	Digital input
3445161	379591	D14112	12A Comp	12/24Vac/dc	1-NTC+1 conf	2
3445162	379460	D14123	12A Comp	230V	1-NTC	-
3445535	379507	D14123-2	16A Comp	230V	1-NTC+1 conf	2
3445163	379797	D14212	12A Comp-8A Conf(Fan-Def-Alarm-Light)	12Vac	1-NTC+1 conf	2
3445533	379314	D14223	12A Comp-8A Conf(Fan-Def-Alarm-Light)	230V	1-NTC+1 conf	2
3445536	379514	D14323	12A Comp-8A Conf(Def-Alarm-Light)-5A Fan	230V	2-NTC+1 conf	2
3445164	379456	D14323	12A Comp-8A Conf(Def-Alarm-Light)-5A Fan	230V	2-NTC+1 conf	2
3445544	378426	D14423	6A Comp-6A Def-6A Fan-6A Aux	230V	2-NTC+1 conf	2

BETA RC ELECTRONIC CONTROLLERS

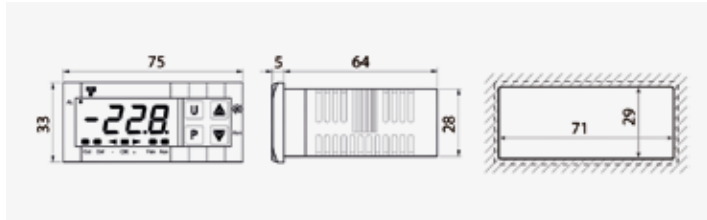


RC

LF Code	GEV code	Model	Relay outputs	Power supply	Probe	Digital input
3744058	LF3744058	RC33-2604-II	2Hp Comp-8A Def-5A Fan	12-24Vac/dc	2-NTC/PTC	1
3744059	LF3744059	RC33-2601-II	2Hp Comp-8A Def-5A Fan	230V	2-NTC/PTC	1

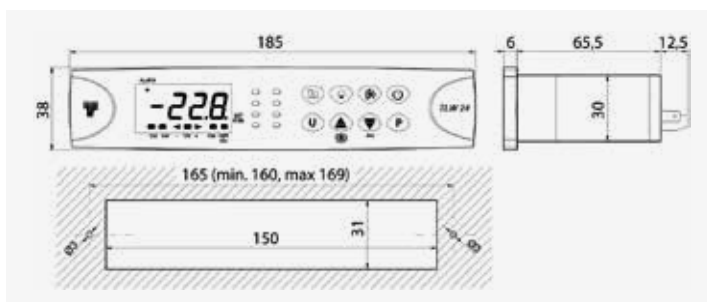
ELECTRONIC CONTROLLERS

ASCON TECNOLOGIC Z-Y ELECTRONIC CONTROLLERS



LF Code	GEV code	Model	Relay outputs	Power supply	Probe	Digital input	RTC
3445524	378666	E31-DR-VVIABI	16A Comp	230V	1-NTC	1	
3445185	LF3445185	Z31A-GR	16A Comp	12..24Vac/dc	1-NTC/PTC		
3445186	381579	Z31A-HR	16A Comp	100..240V	1-NTC/PTC		
3445187	LF3445187	Z31-GR	16A Comp	12..24Vac/dc	1-NTC/PTC		
3445188	LF3445188	Z31-HR	16A Comp	100..240V	1-NTC/PTC		
3445239	378439	TLY25H	16A Out1-8A Out2-8A Out3-8A Out4	230V	2-NTC/PTC	1	
3445538	381435	Z31Y-HS	16A Comp SPDT	100..240V	1-NTC/PTC	1	
3445189	LF3445189	Z31Y-HRR	16A Comp-5A Def	100..240V	1-NTC/PTC	1	
3445190	379363	Y39-HRR	16A Comp-5A Def	100..240V	2-NTC/PTC	1	
3445191	379210	Y39-GRRR	16A Comp-5A Def-5A Fan	12..24Vac/dc	2-NTC/PTC	1	
3445192	381502	Y39-HRRR	16A Comp-5A Def-5A Fan	100..240V	2-NTC/PTC	1	
3445510	LF3445510	Y39C-HRRR	16A Comp-5A Def-5A Fan	100..240V	2-NTC/PTC/ PT1000	1	x

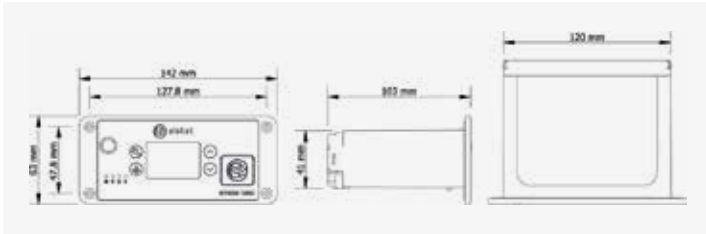
ASCON TECNOLOGIC TLW ELECTRONIC CONTROLLERS



LF Code	GEV code	Model	Relay outputs	Power supply	Probe	Digital input
3445193	LF3445193	TLW24RRR	30A Comp-16A Def-8A Fan-8A Light	230V	2-NTC/PTC	1

ELECTRONIC CONTROLLERS

ELSTAT EMS ELECTRONIC CONTROLLERS



EMS

LF Code	GEV code	Model	Relay outputs	Power supply	Probe	Digital input	Suitable for
7110871	LF7110871	EMS100 NEXO	10A Comp-4A Fan-4A Light	12Vac 50/60Hz	3-NTC	1	ISA TASSELLI

EUREMA ELECTRONIC CONTROLLERS



TE11E



TE32E



TE32EP0T

LF Code	GEV code	Model	Description	Relay outputs	Power supply	Probe	Digital input	Suitable for
3445293	378471	TE11E		16A Comp	230V	1-NTC/PTC		IARP
5057236	378281	TE32E	Remote display			2-NTC/PTC	1	IARP
5052857	378306	TE32EP0T	Power unit	3	230V			IARP

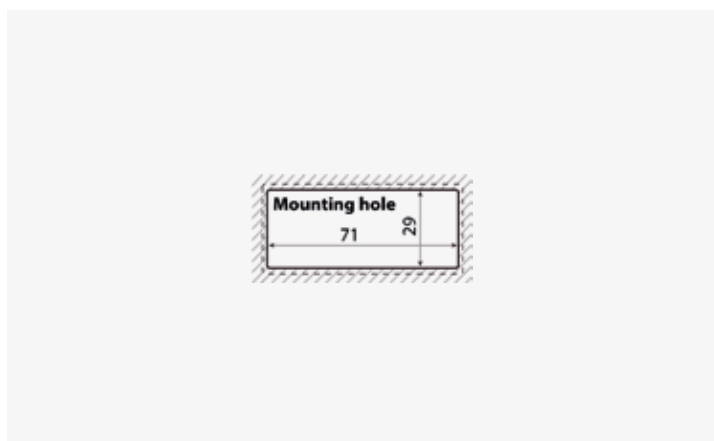
KIOUR ELECTRONIC CONTROLLERS



LF Code	GEV code	Model	Relay outputs	Power supply	Probe	DI	Suitable for
3445434	379494	REF-DF-SM	25A Comp-5A Fan-5A Water level	230	1-PTC	1-ls	INOMAK
3445433	379493	REF-FR-SM	30A Comp-12A Def-5A Fan-5A Water level-5A On/Off	12Vac/dc	2-PTC	1-ds 1-ls	INOMAK

ds = door switch ls = level sensor

KIOUR ELECTRONIC CONTROLLERS



REF-FR-SB



REF-FR-SP



LF Code	GEV code	Model	Description	Relay outputs	Power supply	Probe	DI	Dimensions	Suitable for
3445430	379495	REF-FR-SB	Power unit	30A Comp-5A Fan-5A Water level-5A Def-5A On/Off	230	2-PTC	1-ds 1-ls	140x80	INOMAK
3445431	379492	REF-FR-SP	Remote display						INOMAK
3445432	400339		Flat cable						INOMAK

ds = door switch ls = level sensor

ELECTRONIC CONTROLLERS

CONTAINERS FOR CONTROLLERS



Photo	LF Code	GEV code	Description	Instrument hole mm	Dimension mm
1	3445303	378227	wall plastic box for vertical keyboards	100x64xh43	56x69
2	3445302	LF3445302	wall plastic box for VS-Dixell format controllers	135x74xh72	56x72
3	3445068	LF3445068	wall stainless steel box for standard format controllers and switch	105x105xh72	71x29 - 30x22
4	3445304	378557	wall plastic box for standard format controllers	108x108xh90	71x29

EWBOX



Photo	LF Code	GEV code	Dimensions mm
1	3445056	LF3445056	165x105xh90

FRONT FOR EWBOX

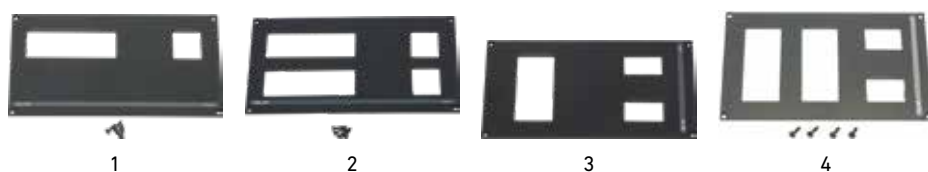


Photo	LF Code	GEV code	number of holes for instrument	number of switch slots
1	3445060	698759	1 - 74x32 mm horizontal	1
2	3445062	LF3445062	2 - 74x32 mm horizontal	2
3	3445059	512529	1 - 74x32 mm vertical	2
4	3445058	LF3445058	2 - 74x32 mm vertical	2

HUMIDITY PROBES



EVHP 503



EWHS 2840/W



EWHS 3040



XH20P



DPPC110000

LF Code	GEV code	Model	Dimensions mm	Power supply	Output power	Measurement range	Temperature sensor
2102803	378076	EVHP 503	185x20	8..28Vdc	4..20mA	5..95% RH	
3397235	378726	EWHS 2840/W	80x120	9..28Vdc	4..20mA	0..99% RH	
3397236	378727	EWHS 3040	80x120	9..28Vdc	4..20mA	0..99% RH	NTC
3445169	403390	XH20P	60x120	9..18Vdc	4..20mA	0..99% RH	
3445309	LF3445309	DPPC110000	170x98x44	8..32Vdc 12..24Vac	-0.5..1Vdc 4..20mA	0..90% RH	NTC 10K

PRESSURE TRANSDUCERS



LF Code	GEV code	Model	Operating range	Output alarm	Power supply	Connection
3445052	LF3445052	FWPA 007	-0.5..7 bar	4..20mA	8..32Vdc	1/4" sae M
3445053	LF3445053	FWPA 030	0..30 bar	4..20mA	8..32Vdc	1/4" sae M

TEMPERATURE PROBES



Photo	LF Code	GEV code	Sensor	bulb - ø x L mm	Cable length mm	Range
1	3445070	378699	PTC	6x40 AISI 304	1500 PVC	-30/+80°C
1	3445107	378694	PTC	6x40 AISI 304	3000 PVC	-30/+80°C
1	3397164	LF3397164	PTC	6x40 AISI 304	1500 SIL	-50/+120°C
1	3445183	LF3445183	PTC	6x40 AISI 304	3000 SIL	-50/+120°C
1	3445959	LF3445959	PTC	6x40 AISI 304	5000 SIL	-50/+120°C
1	3445157	378699	NTC	6x40 AISI 304	1500 PVC	-30/+80°C
6	3445981	378194	NTC	7x26 NYLON	1500 PVC	-30/+80°C
5	3445046	402200	NTC	6x20 AISI 304	2000 TPE	-50/+110°C
1	3445156	379343	NTC	6x40 AISI 304	3000 PVC	-30/+80°C
1	3445028	379633	NTC	6x20 AISI 304	4000 PVC	-30/+80°C
1	3445913	379458	NTC	6x40 AISI 304	1500 SIL	-50/+110°C
1	3445155	381569	NTC	6x40 AISI 304	3000 SIL	-50/+110°C
2	3445184	381474	NTC	6x40 AISI 304	1500 TPE IP68	-40/+110°C
2	3445154	381564	NTC	6x40 AISI 304	3000 TPE IP68	-40/+110°C
3	3445167	381584	NTC	5x20 TPE	1500 TPE IP68	-50/+110°C
3	3445335	381590	NTC	5x20 TPE	3000 TPE IP68	-50/+110°C
4	3445379	378702	PT1000	6x20 AISI 304	1500 IP68	-50/+110°C
4	3445380	LF3445380	PT1000	6x20 AISI 304	3000 IP68	-50/+110°C

ELECTRONIC CONTROLLERS

LAE ELECTRONIC TEMPERATURE PROBES



2

LF Code	GEV code	Sensor	bulb \varnothing x L mm	Cable length mm	Range
5034123	379784	NTC 2K	6x29	2000 TPE	-40°+120°C
2102338	378454	NTC 2K	6x29	2500 TPE	-40°+120°C
2101461	379805	NTC 10K	6x29	2000 TPE	-40°+120°C

TEMPERATURE PROBES WITH FASTON TERMINALS



1

Photo	LF Code	GEV code	Sensor	bulb \varnothing x L mm	Cable length mm	Range
1	3445064	378720	NTC	6x40 AISI 304	1500 PVC with terminals faston 2.8	-30°+80°C

TRANSFORMERS



LF Code	GEV code	Model	Power	Power supply
3445111	381577	TF3	3VA	24ac-12ac
3445110	379054	TF3	3VA	230V-12Vac
3445196	379195	TF5	5VA	230V-12Vac
5037407	400126	TF20	20VA	240/230V-12Vac

POTENTIOMETERS

SPEED REGULATORS FOR FANS JOHNSON CONTROLS



LF Code	GEV code	Model	Connection	Range	Power supply	Setpoint	Calibration range	Description
3320136	LF3320136	P215PR-9200	1/4"saef with valve depressor	10..25 bar	230V 50/60Hz	19 bar	4.5 bar	cut-off models - for speed variation of single-phase motors

SPEED REGULATORS FOR FANS DIXELL



LF Code	GEV code	Model	Power supply	Action	Inlet	Triac outlet	Calibration range	Differential
3240688	LF3240688	XV105D-50DN0	230V 50Hz	Direct	NTC probe	250V max 500W	0..60°C	1..30°C

SPEED REGULATORS FOR FANS ELIWELL



LF Code	GEV code	Model	Power supply	Inlet	Triac outlet	Calibration range	Description
3445075	402946	FASEC 33	230V 50/60Hz	1-PTC probe	n.1-2.5A	0..60°C	for condenser fan
3445074	402945	FASEC 33	230V 50/60Hz	1-PTC probe	n.1-7A	0..60°C	for condenser fan
3351154	380137	OCTAL ES8					base
3445063	LF3445063	PTC PROBE					for tube mounting

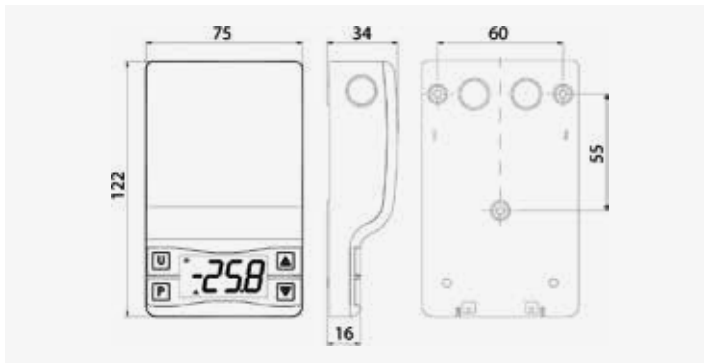
ELECTRIC BOARDS

AKO ELECTRICAL PANELS



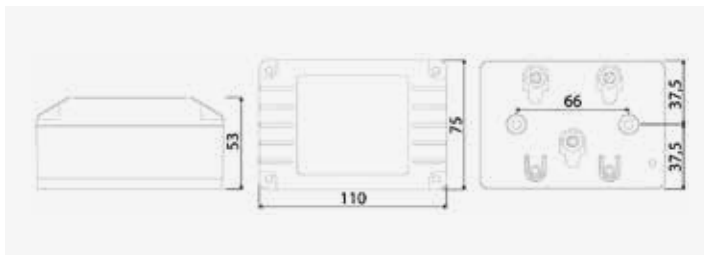
LF Code	GEV code	Model	Relay outputs	Power supply	Probe	DI	Dimensions LxHxW mm
3445166	378042	14610	1-16A	230V	1-NTC		171x94x42
3445165	378041	14632	3-16/8/6A	230V	2-NTC		171x94x42 1

ASCON TECNOLOGIC ELECTRICAL PANELS



LF Code	GEV code	Model	Relay outputs	Power supply	Probe	Digital input
3445306	378233	W09HRB	8A Comp	100..240V 50/60Hz	1-NTC	
3445307	378234	W09YHRRRB	14A Out1-8A Out2-4A Out3	100..240V 50/60Hz	2-NTC	1

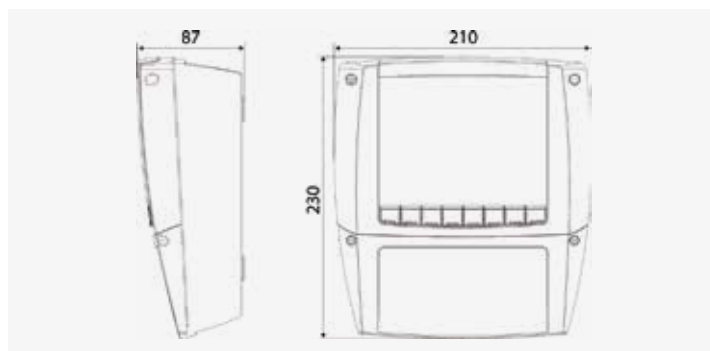
LAE AC1-2W LDU2 ELECTRICAL PANELS



AC1-2W LDU

LF Code	GEV code	Model	Relay outputs	Power supply	Probe
3445292	379443	AC1-2WTQ2RE-B	8A Out1-8A Out2	230V	1-NTC/PTC
3545008	379769	LDU2W2E-EG	16A Comp-7A Aux	230V	1-NTC/PTC

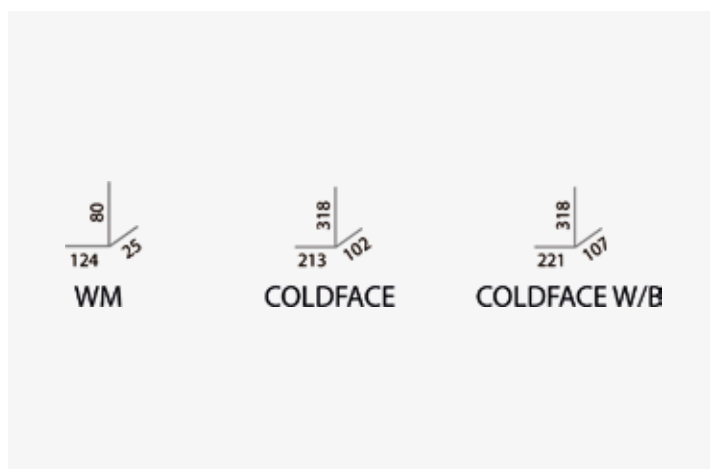
DIXELL COOL-MATE ELECTRICAL PANELS



XLR

LF Code	GEV code	Model	Relay outputs	Power supply	Probe	DI
3445168	378525	XLR170	6-20A/16A/8A/16A/20A/8A	230V	3-NTC/PTC	2

ELIWELL WM-COLDFACE ELECTRICAL PANELS



WM



COLDFACE



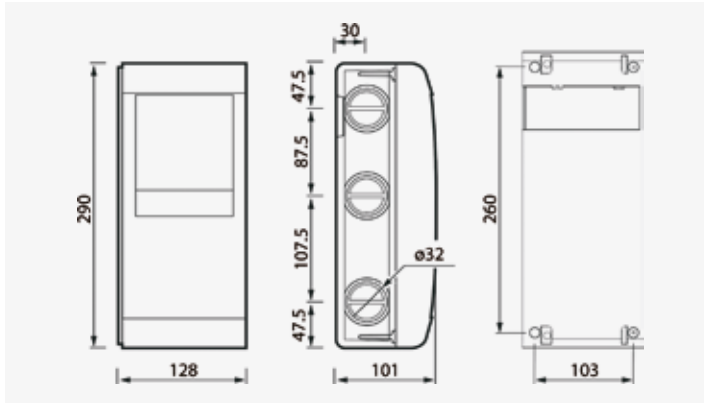
COLDFACE W/B

LF Code	GEV code	Model	Relay outputs	Power supply	Probe	DI	RTC	Thermal-magnetic switch	HACCP
3445158	378217	WM961/A	1-16A	230V	1-NTC/PTC	1			
3545002	378713	COLDFACE NT EWRC300	3-2Hp/16A/8A	230V	3-NTC/PTC	2			
3545003	378316	COLDFACE NT EWRC500	5-2Hp/16A/8A/8A/16A	230V	3-NTC/PTC	2			
3545004	378406	COLDFACE NT EWRC500	5-2Hp/16A/8A/8A/16A	230V	3-NTC/PTC	2	x		x
3545007	378447	COLDFACE NT EWRC500 W/B	5-2Hp/16A/8A/8A/16A	230V	3-NTC/PTC	2	x	x	x

ELECTRIC BOARDS

CAREL SMARTCELLA ELECTRICAL PANELS

CAREL

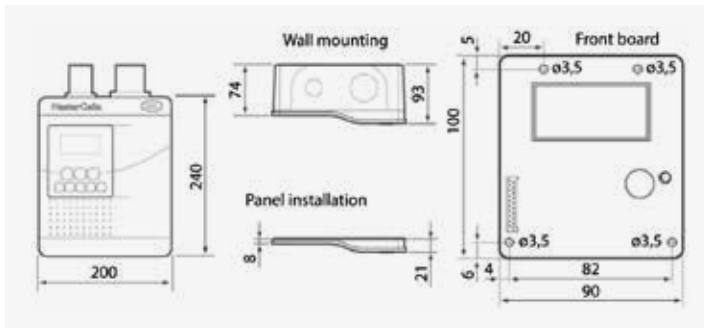


WE00

LF Code	GEV code	Model	Relay outputs	Power supply	Probe	DI
3545005	LF3545005	WE00S1EN00	1-16A	230V	2-NTC	3
3545006	378549	WE00C2HN00	4-2Hp/16A/8A/8A	230V	2-NTC	3

CAREL MASTERCELLA MD ELECTRICAL PANELS

CAREL



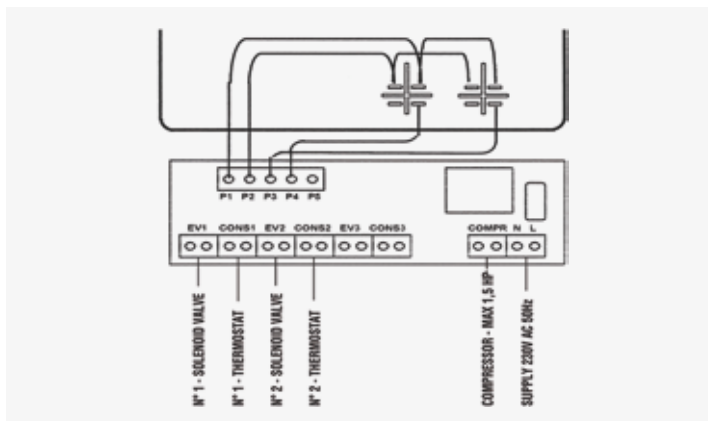
MD33D5EN00



MD33D5FB00

LF Code	GEV code	Model	Relay outputs	Power supply	Probe	RTC	IR	DI	General power switch
3445229	378176	MD33D5EN00	5-30A/16A/8A/8A/2Hp	230V	2-NTC			3	
3445214	378146	MD33D5FB00	5-30A/16A/8A/8A/2Hp	230V	2-NTC	x	x	3	x

PEGO 2TMS ELECTRICAL PANEL



LF Code	GEV code	Dimensions mm	Power supply	Load type	Description
3445331	LF3445331	203x193x79	230V 50/60Hz	Single-phase	2-temperatures control panel with 1 unit one-phase

PEGO ECP 04 ELECTRICAL PANEL

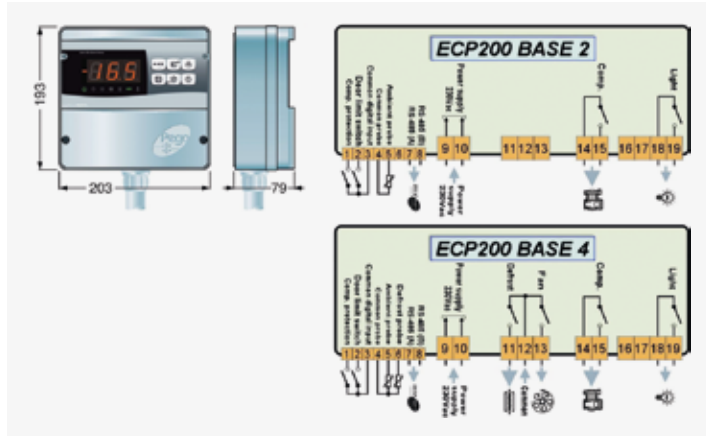


LF Code	GEV code	Power supply	Load type	Main switch for door lock	Outputs	Inputs	Compressor protection	Pump-down
3445342	551479	400V 50/60Hz	Three-phase (3Ph+N+Gnd)	16A	3HP-Comp-condenserr an/solenoid valve	Thermostat or pressure switch	Thermal relay	x

ds = door switch - ps = pressure switch

ELECTRIC BOARDS

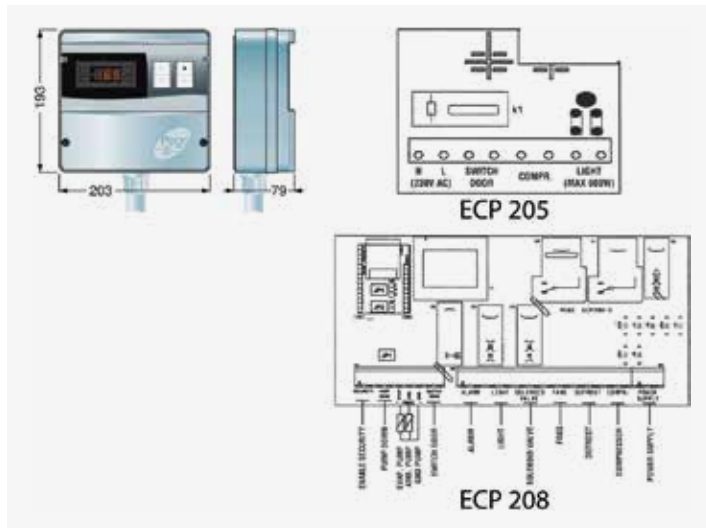
PEGO ECP 200 ELECTRICAL PANELS



LF Code	GEV code	Model	Power supply	Load type	Defrosting	Outputs	Inputs
3445340	LF3445340	ECP 200 BASE 4	230V 50/60Hz	Single-phase	Electrical	2Hp Comp-30A Def 5A Fan-8A Light	2-NTC probe 1-ds 1-op

ds = door switch - op = overload protection

PEGO ECP 200 ELECTRICAL PANELS



LF Code	GEV code	Model	Power supply	Load type	Defrosting	Outputs	Inputs
3445350	LF3445350	ECP 208 (Eliwell IS974LX + n.2 switch on/off and light)	230V 50/60Hz	Single-phase	Electrical	2Hp Comp-30A Def 16A Fan-8A Light-8A Alarm	2-NTC probe 1-ds

ds = door switch

PEGO ECP 202 EXPERT ELECTRICAL PANEL



LF Code	GEV code	Power supply	Load type	Main switch/general protection	Outputs	Inputs	Solenoid valve	Pump-down
3445341	378692	230V 50/60Hz	Single-phase	2 poles diff. magnetothermics 16A	10A Comp-3A Fan 16A Def-16A Light 8A Aux/Al	2-NTC probe 1-ds 1-ps	x	x

ds = door switch - ps = pressure switch

PEGO ECP 300 VD/VD+T ELECTRICAL PANELS



LF Code	GEV code	Power supply	Load type	Main switch	Control	Outputs	Inputs	Compressor protection
3445343	LF3445343	400V (3ph+N+GND)	Three-phase	16A	External on/off	3Hp Comp-4kW Def (3ph+N) 800W Ev.fan-800W Cond. fan/solenoid valve	Thermostat-Pressure switch-Kriwan	Thermal relay
3445344	LF3445344	400V (3ph+N+GND)	Three-phase	16A	EWPlus 974+Light switch+Stand-by switch	3Hp Comp-4kW Def (3ph+N) 800W Ev.fan-800W Cond. fan/solenoid valve	Thermostat-Pressure switch-Kriwan	Thermal relay

ds = door switch - ps = pressure switch

ELECTRIC BOARDS

PEGO ECP APE 03 - MAN IN COLD ROOM ALARM KIT - ELECTRICAL PANEL



LF Code	GEV code	Power supply	Buffer battery	Acoustic characteristics	Visual indicator	emergency push-button internal room	Auxiliary relay
3445345	LF3445345	230V 50Hz	12Vdc Complete recharge time 110h Autonomy 14h	piezoelectric 90db at 1m	Red LED 12Vdc	Red LED 12Vdc NC Contact	8A AC1

control box visual/acoustic alarm complete with buffer battery and emergency shiny push-button internal room

SUPCO TIMERS



LF Code	GEV code	Model	Contacts	Defrosting cycle	Defrosting time
3322272	LF3322272	UET240	1-SPDT	4-12 h	10-35 min

PARAGON TIMERS



LF Code	GEV code	Model	Contacts	Defrosting cycle	Defrosting time	Suitable for
3322239	360187	RZ2001-21	4 h	15 min	1-SPDT	ELECTROLUX-ZANUSSI-IARP-MONDIAL ELITE
5093092	S0602801	XC2001-21	8 h	20 min	1-SPDT	IARP

CDC 1190-F1 490-F1 TIMERS



1190F1



4901F1



4902F1

LF Code	GEV code	Model	Cams No.	Defrosting cycle	Defrosting time	Suitable for
3322024	360521	11901F1CME0000010	6h	10 min	1	SAGI - DEXION
3322296	403603	4901F10CME0001000	6h	12.5 min	1	IARP
5082089	LF5082089	4901F10CME0001010	6h	22.5 min	1	IARP
5052567	LF5052567	4902F10CME0001000	6h	24.5 min	2	IARP
3322297	360793	4902F10CGE0001000	12h	16.5 min	2	IARP
3322295	LF3322295	4902F10CGE0001010	12h	22.5 min	2	IARP

TIMERS

CDC TIMERS



LF Code	GEV code	Model	Defrosting cycle	Defrosting time	Fan delay	Output contacts
3322950	360193	13102/24	From 1 to 12 per day	2-60 min	0-14 min	2-16A 250V

GRASSLIN TIMERS



FM1



TACTIC

LF Code	GEV code	Model	Shortest time for programming	Shortest interval for switching	Output contacts	Dimensions mm
3446228	360186	FM1-STUZH	15 min	1-16(8)A 250V	60x60x32	15 min
3446247	LF3446247	TACTIC 111.1	15 min	1-16(8)A 250V	72x80x55	15 min

GUAITANI TIMERS



LF Code	GEV code	Model	Defrosting cycle	Defrosting time	Fan delay	Output contacts	Dimension mm
3322931	360171	R4/1	1-2-3-4 24h	4-60 min	3 min adjustable	53x63xh52	1NA-1NO 16A 250V

HAGER TIMERS



LF Code	GEV code	Model	Shortest time for programming	Shortest interval for switching	Battery backup	Output contacts	Dimension mm
3322900	360184	EH710	10 min	20 min		1-SC 16A	72x72
3446148	360788	EH711	10 min	20 min	x	1-SC 16A	72x72

HAGER TIMERS ON DIN SLIDEWAYS



EH011



EH211



EH111

LF Code	GEV code	Model	Shortest time for programming	Shortest interval for switching	Battery backup	Output contacts	N° modules DIN
3322354	LF3322354	EH011	15 min	15 min	x	1-NA 16A	1
3322355	LF3322355	EH211	15 min	30 min	x	1-SC 16A	2
3322356	360496	EH111	15 min	15 min	x	1-SC 16A	3

LEGRAND TIMERS



1



2

Photo	LF Code	GEV code	Model	Shortest time for programming	Defrosting time	Fan delay	Output contacts	Dimensions mm
1	3446260	360421	MICROREX T31F	30 min - 24h	1-60 min		1-16(4)A 250V	85x54xh68
2	3446249	360419	POLARREX KKT	30 min - 24h	1-60 min	1-60 min	2-16(4)A 250V	72x113.7xh60

SANRONG TIMERS



LF Code	GEV code	Model	Defrosting cycle	Defrosting time	Fan delay	Output contacts	Dimension mm
3446261	360055	SB3.81	From 1 to 12 per day	1-56 min		72x102xh70	1-16(6)A 250V
3446250	360058	SB3.82	From 1 to 12 per day	1-56 min	0-15 min	72x102xh70	2-16(6)A 250V

TIMERS

THEBEN TIMERS



SYN



SUL

LF Code	GEV code	Model	Shortest time for programming	Shortest interval for switching	Output contacts	Dimension mm
3446232	LF3446232	SYN 161 d		15 min	1-16(4)A 250V	54x90xh66
3211900	S0500427	SUL 189 h	7,5 min	22,5 min	1-10(2)A 250V	72x104xh69

THEBEN TIMERS



g



h-2



g-2

LF Code	GEV code	Model	Shortest time for programming	Shortest interval for switching	Fan delay	Output contacts	Dimension mm
3211920	LF3211920	FRI 77 g	2 min, 1 h	1 min, 1 h	x	105x105xh61	2-16(2,5)A 250V
3446233	LF3446233	FRI 77 h-2	2 min, 1 h	1 min, 1 h		82x55xh48	1-16(2,5)A 250V
2102074	LF2102074	FRI 77 g-2	2 min, 1 h	1 min, 1 h	x	82x55xh48	2-16(2,5)A 250V

ELIWELL TIMER



LF Code	GEV code	Model	Power supply	Output contacts	Digital outputs	Dimensions mm
3446209	S0501803	EWTS 990 Plus	12Vac/dc	2-8(3)A 250V	2	74x32x60
5116049	S0210949	EWTS 990 Plus	24Vac	2-8(3)A 250V	2	74x32x60
2106392	LF2106392	EWTS 990 Plus	230V	2-8(3)A 250V	2	74x32x60

PRESSURE SWITCHES

JOHNSON CONTROLS P100 PRESSURE SWITCHES



LF Code	GEV code	Model	Low pressure	High pressure	Reset	Threaded connection	ODF connection	Cable length
3320139	542285	P100AP-306D	2.8 In - 0.3 Out	-	aut	1/4" F	-	2000
3320137	LF3320137	P100CP-102D	-	11 In - 16 Out	aut	1/4" F	-	2000
3320140	LF3320140	P100CP-104D	-	18 In - 24 Out	aut	1/4" F	-	2000
3320138	LF3320138	P100CP-106D	-	23 In - 28 Out	aut	1/4" F	-	2000
3320261	S0039496	P100CP-107D	-	23 In - 28 Out	aut	-	6	2000

DANFOSS SERIES ACB PRESSURE SWITCHES



LF Code	GEV code	Model	Pressure bar	Reset	Features	Suitable for
5078675	542487	ACB-2UA428W	10 In - 9 Out	aut	solder connection with wires (1)	SCOTSMAN-SIMAG-BARLINE
3320152	542133	ACB-2UA574W	11.5 In - 8.5 Out	aut	solder connection with wires (1)	MIGEL
3320913	541118	ACB-2UB62		aut	solder connection with spade (2)	ITV
3320252	LF3320252	ACB-2UB131W	22 In - 29 Out	aut	flare connection with wires (3)	GBG-CARPIGIANI
5038870	LF5038870	ACB-2UB178	24 In - 33 Out	aut	solder connection with spade (2)	SCOTSMAN-SIMAG-BARLINE

RANCO SERIES NSD PRESSURE SWITCHES



LF Code	GEV code	Model	Pressure bar	Reset	Features	Suitable for
7102698	542434	NSDHF10A00101	16-18	aut	solder connection with faston connector	ITV
3320151	542132	NSDHFH0A39200	17-19	aut	solder connection with wires	MIGEL
3320131	LF3320131	NSDHA00D39105	27-22	aut	flare connection 1/4" sae F with 3 wires (c-no-nc)	

PRESSURE SWITCHES

RANCO SERIES 012-016-017 PRESSURE SWITCHES

RANCO



G6



016



017

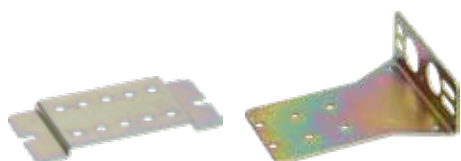
LF Code	GEV code	Model	Low pressure bar	High pressure bar	Differential bar	Reset	Bellow type
3320119	LF3320119	G63P1036400	-	18 In - 25 Out	-	aut	standard
3320120	LF3320120	G60P1028400	1 In - 0 Out	-	-	aut	standard
3320901	541121	016-H6703	-0.3..7	-	+0.6..4	aut	standard
3320121	541122	016-H6705	-0.3..6.2	-	0.6	man	standard
3320122	541123	016-530-081 (ex 016-H6750)	-	7..30	2..10	aut	standard
3320902	LF3320902	016-H6758	-	7..30	3..8	aut	TUV
3320127	541124	016-H6751	-	7..30	3.2	man	standard
3320123	542467	012-1550-081 (ex 017-H4701)	-0.3..7	10..31	4.8 High - 0.7..3 Low	aut	standard
3320903	541125	017-H4758	-0.3..7	7..30	4 High - 0.6..4 Low	aut	TUV
3320124	541126	017-H4703	-0.3..7	7..30	4 High - 0.6..4 Low	man	standard
3320125	541127	017-H4705	-0.3..7	7..30	4 High - 0.6..4 Low	High man - Low aut	standard

DANFOSS SERIES KP PRESSURE SWITCHES



LF Code	GEV code	Model	Low pressure	High pressure	Differential	Reset	Features
3320184	541464	KP1 060-1101	-0.2..7.5		0.7..4	aut	PED
3320253	LF3320253	KP5 060-5133		8..32	3	man	
3320200	541462	KP5 060-5096		8..32	1.8..6	aut	
3320254	541467	KP7W 060-1190		8..32	4..10	aut	PED
3320255	542468	KP15 060-5071	-0.2..7.5	8..32	4 High - 0.7..4 Low	aut	
3320256	541469	KP17W 060-1275	-0.2..7.5	8..32	4 High - 0.7..4 Low	aut	PED

BRACKETS FOR PRESSURE SWITCHES



LF Code	GEV code	Description
3320126	LF3320126	flat bracket
3320906	LF3320906	elbow bracket

SOLENOID VALVES

CASTEL NC SOLENOID VALVES



LF Code	GEV code	Model	Threaded connection SAE	ODF connection mm - in.	Operating principle	Kv factor m ³ /h	Hole mm	Length mm
3120921	370150	1020/2	1/4" MM	-	Direct action	0.175	2.5	58
3120156	370788	1020/3	3/8" MM	-	Direct action	0.23	3	65
3120157	370152	1064/3	3/8" MM	-	Diaphragm	0.80	7	68
3120159	370153	1070/4	1/2" MM	-	Diaphragm	2.20	12.5	100
3120169	LF3120169	1070/5	5/8" MM	-	Diaphragm	2.61	12.5	106
3120912	370151	1028/2	-	6 - 1/4"	Direct action	0.15	2.2	125
3120905	370382	1028/M10	-	10	Direct action	0.23	3	125
3120158	370383	1068/M10	-	10	Diaphragm	0.80	7	111
3120388	370864	1028/3	-	3/8"	Diaphragm	0.23	3	125
3120389	LF3120389	1068/3	-	3/8"	Diaphragm	0.80	7	111
3120168	370385	1078/M12	-	12	Diaphragm	2.20	12.5	127
3120390	LF3120390	1078/4	-	1/2"	Diaphragm	2.20	12.5	127
3120187	370386	1078/5	-	16 - 5/8"	Diaphragm	2.61	12.5	175

CASTEL NC SOLENOID VALVES FOR REFRIGERANTS HC (R290-R600a)



LF Code	GEV code	Model	ODF connection mm - in.	Operating principle	Kv factor m ³ /h
3120577	370804	1028N/2S	6 - 1/4"	Direct action	0.15
3120578	370805	1028V/2S.E	6 - 1/4"	Direct action	0.23

CASTEL NC SOLENOID VALVES FOR WATER



LF Code	GEV code	Model	Threaded connection FPT-UNI ISO 228/1	Operating principle	Kv factor m ³ /h	Hole mm	Length mm
3120139	370885	1132/03	3/8" G	Diaphragm	2.10	12.5	75
3120148	370887	1132/04	1/2" G	Diaphragm	2.20	12.5	75
3120149	LF3120149	1132/06	3/4" G	Diaphragm	5.50	20	88
3120150	LF3120150	1132/08	1" G	Diaphragm	6.00	20	88

SOLENOID VALVES

CASTEL COILS AND CONNECTORS



HF2

CM2

PG9

LF Code	GEV code	Coil type	Model	Volt	Hertz	Connection
3120188	371321	HF2	9300/RA2	24Vac	Terminal block PG9	50/60
3120189	371301	HF2	9300/RA4	110	Terminal block PG9	50/60
3120910	371337	HF2	9300/RA6	220/230	Terminal block PG9	50/60
3120190	LF3120190	HF2	9300/RA8	380	Terminal block PG9	50/60
3120323	371084	CM2	9110/RA6	230	Cable with 3 wires	50/60
3120223	371304	PG9	9150/R01			

CASTEL COILS AND CONNECTORS FOR REFRIGERANT HC (R290-R600a)



LF Code	GEV code	Coil type	Model	Volt	Hertz	Connection
3120572	371338	HF2	9300EX/RA6	230	50/60	Terminal block PG9
3120573	LF3120573	PG9	9150EX/R02			



LF Code: 3120279
GEV Code: LF3120279

MAGNETIC TOOL CASTEL

set in place of the coil, allows the solenoid valve to be opened.

SOLENOID VALVES

PARKER NC SOLENOID VALVES REFRIGERATION



LF Code	GEV code	Model	Threaded connection SAE	ODF connection mm - in.	Operating principle	Kv factor m ³ /h	Hole mm	Length mm
3120278	LF3120278	V3F2	1/4" MM	-	Direct action	0.185	2.5	61
3120345	LF3120345	V3SM6	-	6	Direct action	0.185	2.5	102
3120212	LF3120212	V8F3	3/8" MM	-	Diaphragm	0.800	6.5	68
3120346	LF3120346	V8SM10	-	10	Diaphragm	0.80	6.5	106
3120218	LF3120218	V13F4	1/2" MM	-	Diaphragm	1.880	10	84
3120219	LF3120219	V13SM12	-	12	Diaphragm	1.880	10	127
3120221	LF3120221	V19SM16	-	16	Diaphragm	3.30	15	153

PARKER COILS AND CONNECTORS



LF Code	GEV code	Model	Volt	Hertz	Watt	Connection
1120362	371316	WB4.5	230	50/60	6	terminal block A-22
1199215	LF1199215	WB8.0	230	50/60	8	terminal block A-22
5037619	LF5037619	YB09	115	50/60	9	cable with 2 wires
1120361	371033	YB09	230	50/60	9	cable with 2 wires
3120606	LF3120606	YB14	24Vac	50/60	14	cable with 2 wires
3120917	371098	YB14	230	50/60	14	cable with 2 wires
3120032	371029	ZB09	230	50/60	9	terminal block B-32
4085847	371330	ZB15	230	50/60	15	terminal block B-32
3120222	371339	RT14	230	50/60	14	terminal block B-32
3120044	371091	A-22				
3120034	371090	B-32				

SOLENOID VALVES

DANFOSS EVR NC SOLENOID VALVES



LF Code	GEV code	Model	Threaded connection SAE	ODF connection mm - in.	Kv factor m3/h	Hole mm	Length mm
3120613	370159	EVR3-32F8107	1/4"		0.27	3.3	75
3120338	370160	EVR3-32F1207		6	0.27	3.3	102
3120614	370161	EVR6-32L8072	3/8"		0.80	6.0	82
3120339	370287	EVR6-32L1213		10	0.80	6.0	111
3120675	370163	EVR10-32L8095	1/2"		1.90	10.0	103
3120616	370289	EVR10-32L1218		12	1.90	10.0	127

DANFOSS COILS AND CONNECTORS



LF Code	GEV code	Model	Volt	Hertz	Watt	Connection
3120246	LF3120246	AY240C 042N4231	208-240	50/60	8	US 0.25 in Spade
3120607	LF3120607	18F7958	24Vac	50/60	10	with cable (3 wire)
3120207	371004	18F6282	230	50/60	16	with cable (3 wire)
3120208	371293	18F6193	230	50/60	17	terminal block PG9
3120669	371040	18F6176	230	50	12	with terminal box



LF Code: 3120570
GEV Code: 370890

UNIVERSAL SOLENOID VALVE RELEASE DEV.

ACCUMULATORS

ACCUMULATORS



LF Code	GEV code	Length mm	ø mm	ODF inlet mm	ODF outlet mm	Type
3160242	LF3160242	150	30	10	10	1
3160243	LF3160243	150	30	10	10	2

REFRIGERATION FILTERS

COPPER FILTERS



LF Code	GEV code	Length mm	Diameter mm	Molecular sieve g	Inlet ODF mm	Outlet ODF mm
7100514	750794	112	16	10	5.2	2.6
7100513	750793	112	16	10	6.5	2.6
7100515	LF7100515	114	16	10	6.5/4.5	2.3
3660001	LF3660001	120	19	15	5.2	2.6
3160239	750244	120	19	15	6.5	2.6
3660009	LF3660009	120	19	15	6.5	6.5
3660010	750616	125	19	15	6.5-6.5	2.5
7100512	LF7100512	141	19	20	5.2	2.6
3660002	750254	141	19	20	6.5	2.6
3660007	750617	130	24	25	6.5	2.5
3660008	750769	130	24	25	6.5	6.5
3160240	750619	140	24	30	6.5	2.6
5061764	750790	140	24	30	6.5	3.2
3160244	750276	140	24	30	6.5	6.5
3160241	750792	145	24	30	6.5-6.5	2.6
5038187	750047	145	24	30	6.5-6.5	6.5
3160401	750313	170	24	35	6.5-6.5	3.2
3660003	750791	170	24	40	6.5	2.5
4084078	750231	170	24	40	6.5	3.2
5038189	750232	170	24	40	6.5	6.5
40A9371	750048	170	24	40	6.5	6.5-6.5
3660005	LF3660005	190	24	50	6.5	2.5
3660004	LF3660004	190	24	50	6.2	6.2
3660006	LF3660006	190	24	50	8.5	8.5

DENA DEHYDRATOR FILTERS WITH MOELCULAR SIEVE



LF Code	GEV code	Model	International code	Threaded connection SAE	Length mm
3160269	LF3160269	MG111	032	1/4" MM	100
3160270	LF3160270	MG112	052	1/4" MM	115
3160271	LF3160271	MG213	082	1/4" MM	142
3160272	LF3160272	MG122	053	3/8" MM	125
3160273	LF3160273	MG223	083	3/8" MM	156
3160274	LF3160274	MG224	163	3/8" MM	168
3160275	LF3160275	MG233	084	1/2" MM	162
3160276	LF3160276	MG234	164	1/2" MM	174
3160277	LF3160277	MG244	165	5/8" MM	183
3160278	LF3160278	MG345	305	5/8" MM	210

REFRIGERATION FILTERS

CASTEL ANTI-ACID DEHYDRATOR FILTERS



LF Code	GEV code	Model	International code	Threaded connection SAE	ODF connection mm - in	Nominal volume cm ³	Length mm
3160921	750082	4303/2F	-	1/4" FM	50	92	
3160246	750426	4305/2F	-	1/4" FM	80	109	
3660016	LF3660016	4308/2F	-	1/4" FM	130	135	
3160922	750083	4308/3F	-	3/8" FM	130	135	
3160911	750040	4303/2	032	1/4" MM	50	103	
2101878	750038	4303/2S	032S		50	94	6 - 1/4"
3160913	750041	4305/2	052	1/4" MM	80	119	
2101961	750039	4305/2S	052S		80	110	6 - 1/4"
3160915	750043	4308/2	082	1/4" MM	130	146	
3160918	750079	4316/2	162	1/4" MM	250	158	
3160912	750427	4303/3	033	3/8" MM	50	111	
3160914	750042	4305/3	053	3/8" MM	80	127	
3160916	750044	4308/3	083	3/8" MM	130	154	
3160919	750046	4316/3	163	3/8" MM	250	166	
3160917	750078	4308/4	084	1/2" MM	130	162	
3160920	750081	4316/4	164	1/2" MM	250	174	
3160923	750084	4316/5	165	5/8" MM	250	183	
3160345	750811	4330/3	303	3/8" MM	500	245	
3160346	LF3160346	4330/4	304	1/2" MM	500	253	
3160245	LF3160245	4330/5	305	5/8" MM	500	262	

CASTEL ANTI-ACID DEHYDRATOR FILTERS FOR REFRIGERANTS HC (R290-R600a)



LF Code	GEV code	Model	International code	ODF connection mm - in	Nominal volume cm ³	Length mm
3160540	750562	4303EX/2S	032S	6 - 1/4"	50	94

REFRIGERATION FILTERS

DANFOSS ANTI-ACID DEHYDRATOR FILTERS



LF Code	GEV code	Model	International code	Threaded connection SAE	ODF connection	Nominal volume cm ³	Length mm
3160496	750037	DCL 032	1/4"	110	41	032	-
3160497	750664	DCL 052	1/4"	119	67	052	-
3660017	750032	DML 052	1/4"	119	67	052	-
3660011	750672	DCL 052S	-	107	67	052S	1/4"
3160328	750034	DCL 082	1/4"	145	104	082	-
3660012	750671	DCL 082S	-	133	104	082S	1/4"
3160374	750428	DCL 162	1/4"	154	234	162	-
3160549	750663	DCL 053	3/8"	132	67	053	-
3160373	750035	DCL 083	3/8"	158	104	083	-
3660013	750670	DCL 083S	-	139	104	083S	10 mm
3160375	750665	DCL 163	3/8"	167	234	163	-
3660014	LF3660014	DCL 163S	-	148	234	163S	10 mm
3160376	750429	DCL 164	1/2"	175	234	164	-
3660015	LF3660015	DCL 164S	-	152	234	164S	12 mm

DANFOSS DOUBLEFLOW ANTI-ACID DEHYDRATOR FILTERS



DCB

LF Code	GEV code	Model	International code	Threaded connection SAE	ODF connection	Nominal volume cm ³	Length mm
3160381	LF3160381	DCB083S		141	80	083S	3/8" in

REFRIGERATION FILTERS

SPORLAN ANTI-ACID DEHYDRATOR FILTERS



LF Code	GEV code	Model	International code	Threaded connection SAE	ODF connection in	Length mm
3160526	750768	C-032	032	1/4"	-	106
3160529	750799	C-032S	032	-	1/4"	97
3160527	LF3160527	C-052	052	1/4"	-	121
3160530	LF3160530	C-052S	052	-	1/4"	106
3160528	LF3160528	C-082	082	1/4"	-	143
3160531	LF3160531	C-082S	082	-	1/4"	130
3160532	LF3160532	C-083	083	3/8"	-	154
3160534	LF3160534	C-083S	083	-	3/8"	133
3160533	LF3160533	C-163	163	3/8"	-	171
3160535	LF3160535	C-163S	163	-	3/8"	149
3160536	LF3160536	C-164	164	1/2"	-	176
3160537	LF3160537	C-164S	164	-	1/2"	152

SPORLAN HH FILTERS BURN OUT



LF Code	GEV code	Model	International code	Threaded connection SAE	Length mm
3160520	LF3160520	C-052HH	052	1/4"	121
3160521	LF3160521	C-082HH	082	1/4"	143
3160522	LF3160522	C-083HH	083	3/8"	154
3160523	LF3160523	C-163HH	163	3/8"	172
3160524	LF3160524	C-164HH	164	1/2"	177
3160525	LF3160525	C-165HH	165	5/8"	184

PARKER ANTI-ACID DEHYDRATOR FILTERS WITH INDICATOR



LF Code	GEV code	Model	Threaded connection SAE	Length mm
3160306	LF3160306	PRSG052	1/4" MM	131
3160307	750800	PRSG082	1/4" MM	163
3160308	LF3160308	PRSG083	3/8" MM	192
3160309	LF3160309	PRSG164	1/2" MM	198

LIQUID AND MOISTURE INDICATORS

CASTEL MOISTURE INDICATORS



3910/...



3950/...



3940/...

LF Code	GEV code	Model	Threaded connection SAE	ODF connection mm - in.	Length mm
3201024	750060	3910/22	1/4" MM	-	71.5
3201025	LF3201025	3910/33	3/8" MM	-	77.5
3201026	750424	3910/44	1/2" MM	-	81.5
3201014	750070	3950/22	1/4" FM	-	68
3201015	750008	3950/33	3/8" FM	-	74
3201016	750072	3950/44	1/2" FM	-	77
3201017	750415	3950/55	5/8" FM	-	84
3201019	750417	3940/2	-	6 - 1/4"	133
3201020	750418	3940/M10	-	10	117
3201039	750419	3940/3	-	3/8"	117
3201021	750420	3940/M12	-	12	117
3201040	750421	3940/4	-	1/2"	117
3201022	750422	3940/5	-	16 - 5/8"	131
3201023	750423	3940/M18	-	18	131

DANFOSS MOISTURE INDICATORS



SGN

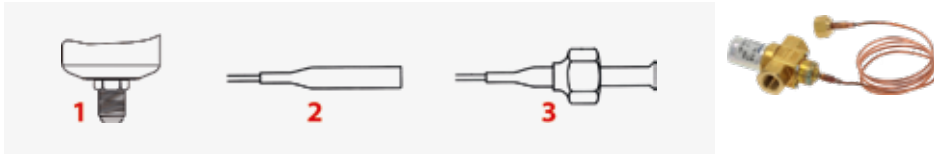


SGN-S

LF Code	GEV code	Model	Threaded connection SAE	ODF connection mm	Length mm
3221466	750412	SGN6	1/4" FM	-	67
3221467	750413	SGN10	3/8" FM	-	82
3221464	750414	SGN6S	-	6	101
3221465	750066	SGN10S	-	10	119
3101002	LF3101002	SGN12	1/2" FM	-	88
3101001	LF3101001	SGN12S	-	12	146

PRESSURE VALVES FOR REFRIGERATION

SAGInoMIYA PRESSOSTATIC VALVES FOR WATER



LF Code	GEV code	Model	Water connection FPT-UNI ISO 228/1	Calibration range bar	Capillary length mm	Drawing
3151001	S0091232	CWR-803GLWQ3	3/8" G	6..18	1000	3

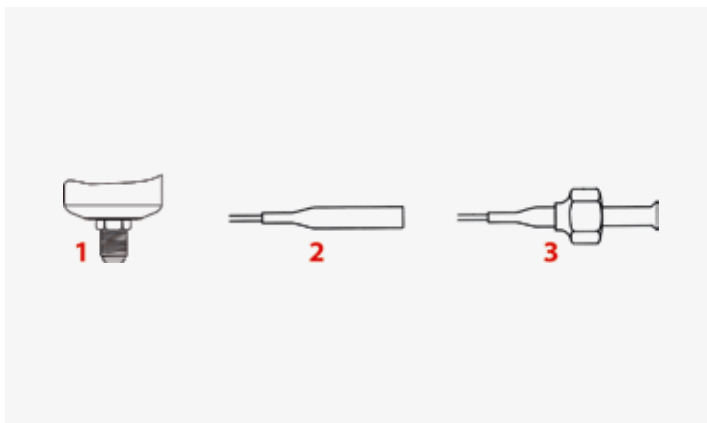
CASTEL WATER PRESSURE VALVES



3210/...

LF Code	GEV code	Model	Water connection FPT-UNI ISO 228/1	Gas connection SAE	Kv factor m3/h	Length/Height mm	Calibration range bar
3150029	370798	3210/03	3/8" G	1/4" M	2	70-186	5-18
3150030	370794	3210/04	1/2" G	1/4" M	3	70-186	5-18
3150031	370799	3210/06	3/4" G	1/4" M	4.7	74-186	5-18

JOHNSON CONTROLS WATER PRESSURE VALVES



LF Code	GEV code	Model	Water connection FPT-UNI ISO 228/1	Calibration range bar	Capillary length mm	Drawing
3150060	LF3150060	V46SA-9300	3/8" G	5-23	-	1
3526194	541839	V46SA-9952	3/8" G	5-23	750	2
3150061	LF3150061	V46AA-9300	3/8" G	5-23	-	1
3526551	541150	V46AA-9609	3/8" G	5-23	750	3
3526550	541483	V46AA-9950	3/8" G	5-18	750	2
3150062	LF3150062	V46AB-9300	1/2" G	5-23	-	1

CHECK-SAFETY VALVES FOR REFRIGERATION

CASTEL RETENTION VALVES



3112/...



3132/...

LF Code	GEV code	Model	Threaded connection SAE	ODF connection mm - in.	Kv factor m ³ /h	Length mm	Diameter mm
3150021	LF3150021	3112/2	1/4" MM	-	0.5	56	16
3150022	750561	3132/2	-	6 - 1/4"	0.5	92	16
3150023	750811	3132/M10	-	10	1.5	107	20
3150024	750559	3132/M12	-	12	1.8	132	22
3150025	750560	3132/5	-	16 - 5/8"	3.3	139	27
3150026	LF3150026	3132/M18	-	18	5	165	33
3150027	LF3150027	3132/7	-	22 - 7/8"	5	165	33

CASTEL SAFETY VALVES



3060/...

LF Code	GEV code	Model	Connection IN OUT	Orifice cross-section mm ²	Efflux coefficient Kd	Calibration range bar	Length mm	Diameter mm
3150016	LF3150016	3060/23C300	1/4"M - 3/8"M	38.5	0.63	30	80	21.5
3150017	LF3150017	3060/34C300	3/8"M - 1/2"M	38.5	0.69	30	80	21.5
3150018	LF3150018	3060/45C300	1/2"M - 5/8"M	70.9	0.45	30	89	24.5

REVERSING VALVES FOR REFRIGERATION

SANHUA CYCLE INVERSION VALVE



LF Code	GEV code	Model	Connection HP - LP	R407C Kw	R410A Kw	R134A Kw
3148006	LF3148006	SHF 4	5/16" - 3/8"	3.2	3.8	2.6
3148001	LF3148001	SHF 7	3/8" - 1/2"	6.5	7.8	5.1
3148005	LF3148005	SHF 11	1/2" - 5/8"	9.1	10.7	7.3
3148002	LF3148002	SHF 20	1/2" - 3/4"	19.3	22.5	15.4
3148007	LF3148007	SHF 20	5/8" - 7/8"	20.1	23.5	16
3148003	LF3148003	SHF 35	3/4" - 7/8"	29.8	34.9	23.8
3148004	LF3148004	SHF 35	7/8" - 1-1/8"	29.8	34.9	23.8

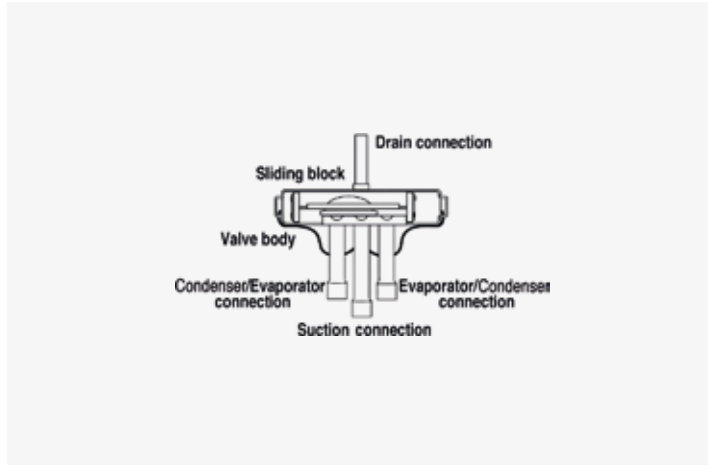
SANHUA SHF COIL WITH CABLE FOR INVERSION VALVE



LF Code	GEV code	Model	Power supply	Watt	Cable length mm
3148008	LF3148008	SHF-4-10L3	220-240V 50/60Hz	4.5	1500

REVERSING VALVES FOR REFRIGERATION

RANCO/ELIWELL REVERSING CYCLE VALVES



V1-/V6-/V10-



V2-



V3-

LF Code	GEV code	Model	Connection HP - LP	R407C Kw min-max	R410A Kw min-max	R134A Kw min-max
3150058	370797	V1-408050	5/16"-1/2"	1.40 - 4.57	1.76 - 5.98	1.40 - 3.87
3150056	370791	RV02BD080600	3/8"-1/2"	2.80 - 6.33	3.17 - 7.74	2.46 - 4.92
3150057	370795	RV03ED120800	1/2"-3/4"	3.87 - 9.85	4.57 - 12.31	3.17 - 7.74
3150069	370796	RV06AD120800	1/2"-3/4"	3.87 - 18.99	4.57 - 23.92	3.17 - 14.77
3150070	370793	V6-414080	1/2"-7/8"	3.87 - 18.99	4.57 - 23.92	3.17 - 14.77
3150071	370792	V10-414120	3/4"-7/8"	11.25 - 33.06	13.01 - 41.85	9.85 - 26.03

RANCO/ELIWELL COIL WITH CABLE FOR REVERSING VALVE



LF Code	GEV code	Model	Power supply	Watt	Cable length mm	Notes
3150055	371306	LDK 41	230V 50/60Hz	5	2000	for Ranco model
3120674	LF3120674	RVCLA7230048	230V 50/60Hz	5	1200	for Eliwell model

THERMOSTATIC VALVES FOR REFRIGERATION

CASTEL THERMOSTATIC VALVES



LF Code	GEV code	Model	Threaded connection SAE Inlet - Outlet	Refrigerant gas	Pressure equalisation	Temperature range
3150004	750498	2220/4	3/8 - 1/2	R134a	Internal	-40°/+10°C
3150005	750499	2220/4E	3/8 - 1/2	R134a	External 1/4	-40°/+10°C
3150006	750486	2230/4	3/8 - 1/2	R404a/R507	Internal	-40°/+10°C
3150007	750500	2230/4E	3/8 - 1/2	R404a/R507	External 1/4	-40°/+10°C

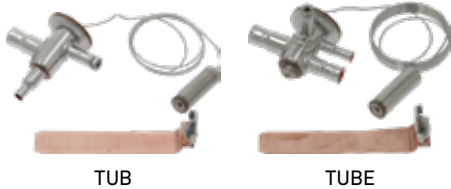
CASTEL NOZZLES



LF Code	GEV code	Model
3150008	750487	0X
3150009	750488	00
3150010	750489	01
3150011	750490	02
3150012	750491	03
3150013	750492	04
3150014	750493	05
3150015	750494	06

THERMOSTATIC VALVES FOR REFRIGERATION

DANFOSS TUB/TUBE THERMOSTATIC VALVES



LF Code	GEV code	Model	Danfoss code	Direction	Connection Inlet - Outlet	Refr. gas	Orifice	Rated capacity kW - TR	Pressure eq.	Temperature range	MOP
3150063	750705	TUB	068U2076	Angleway	6 mm - 12 mm	R404a/R507	1	0.7 - 0.19	Internal	-40°/+10°C	
3150053	LF3150053	TUB	068U2077	Angleway	6 mm - 12 mm	R404a/R507	2	1 - 0.28	Internal	-40°/+10°C	
3150064	LF3150064	TUB	068U2078	Angleway	6 mm - 12 mm	R404a/R507	3	1.4 - 0.39	Internal	-40°/+10°C	
3150054	LF3150054	TUB	068U2079	Angleway	6 mm - 12 mm	R404a/R507	4	2.1 - 0.60	Internal	-40°/+10°C	
3150065	750016	TUB	068U2000	Angleway	6 mm - 12 mm	R134a	1	0.7 - 0.19	Internal	-40°/+10°C	
3150066	LF3150066	TUB	068U2001	Angleway	6 mm - 12 mm	R134a	2	1 - 0.28	Internal	-40°/+10°C	
3150059	LF3150059	TUB	068U2002	Angleway	6 mm - 12 mm	R134a	3	1.4 - 0.39	Internal	-40°/+10°C	
3150104	LF3150104	TUBE	068U3658	Straightway	6 mm - 12 mm	R404a/R507	5	1.8 - 0.50	6 mm	-60°/-25°C	30
3150107	LF3150107	TUBE	068U2769	Straightway	6 mm - 12 mm	R404a/R507	7	5.6 - 1.6	6 mm	-40°/-5°C	75

DANFOSS T2/TE2 THERMOSTATIC VALVES



LF Code	GEV code	Model	Danfoss code	Connection Inlet - Outlet	Refrigerant gas	Equalizer pressure	Temperature range	MOP
3150041	750012	TN2	068Z3346-068Z3542	3/8"saе - 1/2"saе	R134a		-40°/+10°C	
3150112	750523	TN2	068Z3384-068Z3264	3/8"saе - 12mm ODF	R134a		-40°/+10°C	
3150042	750013	TEN2	068Z3348-068Z3543	3/8"saе - 1/2"saе	R134a	1/4"saе	-40°/+10°C	
3150113	750810	TEN2	068Z3386-068Z3634	3/8"saе - 12mm ODF	R134a	6mm ODF	-40°/+10°C	
3150105	LF3150105	TEN2	068Z3390-068Z3635	3/8"saе - 12mm ODF	R134a	6mm ODF	-40°/+10°C	MOP55 (+15°C)
3150043	750014	TS2	068Z3400-068Z3508	3/8"saе - 1/2"saе	R404a/R507		-40°/+10°C	
3150114	LF3150114	TS2 NM	068Z3406-068Z3639	3/8"saе - 1/2"saе	R404a/R507		-40°/-5°C	MOP75 (0°C)
3150111	750801	TS2	068Z3435-068Z3482	3/8"saе - 12mm ODF	R404a/R507		-40°/+10°C	
3150044	750015	TES2	068Z3403-068Z3555	3/8"saе - 1/2"saе	R404a/R507	1/4"saе	-40°/+10°C	
3150163	LF3150163	TES2 NL	068Z3409-068Z3451	3/8"saе - 1/2"saе	R404a/R507	1/4"saе	-40°/-15°C	MOP50 (-10°C)
3150106	LF3150106	TES2	068Z3422-068Z3478	3/8"saе - 12mm ODF	R404a/R507	6mm ODF	-40°/+10°C	
3150143	LF3150143	TES2	068Z3417-068Z3453	3/8"saе - 1/2" in ODF	R404a/R507	1/4" in ODF	-40°/+10°C	MOP120 (+15°C)
3150108	LF3150108	TES2 NM	068Z3442-068Z3655	3/8"saе - 12mm ODF	R404a/R507	6mm ODF	-40°/-5°C	MOP75 (0°C)
3150110	LF3150110	TES2 NL	068Z3437-068Z3648	3/8"saе - 12mm ODF	R404a/R507	6mm ODF	-40°/-15°C	MOP50 (-10°C)
3150144	LF3150144	TES2 NL	068Z3430-068Z3449	3/8"saе - 1/2" in ODF	R404a/R507	1/4" in ODF	-40°/-15°C	MOP50 (-10°C)
3150100	LF3150100	TES2 B	068Z3428-068Z3646	3/8"saе - 12mm ODF	R404a/R507	6mm ODF	-60°/-25°C	MOP30 (-20°C)

THERMOSTATIC VALVES FOR REFRIGERATION

DANFOSS NOZZLES



LF Code	GEV code	Danfoss code	Model
3150045	750020	068-2002	0X
3150046	750021	068-2003	00
3150047	750022	068-2010	01
3150048	750023	068-2015	02
3150049	750024	068-2006	03
3150050	750483	068-2007	04
3150051	750484	068-2008	05
3150052	750485	068-2009	06

DANFOSS NOZZLES FOR WELDING ADAPTER



LF Code	GEV code	Danfoss code	Model
3150134	LF3150134	068-2089	0X
3150135	LF3150135	068-2090	00
3150136	LF3150136	068-2091	01
3150137	LF3150137	068-2092	02
3150103	LF3150103	068-2093	03
3150138	LF3150138	068-2094	04
3150139	LF3150139	068-2095	05
3150140	LF3150140	068-2096	06

DANFOSS WELDING ADAPTERS



LF Code	GEV code	Danfoss code	Welding connection ODF mm
3150141	LF3150141	068-2063	6
3150142	LF3150142	068-2061	10

THERMOSTATIC VALVES FOR REFRIGERATION

HONEYWELL AMV THERMOSTATIC VALVES

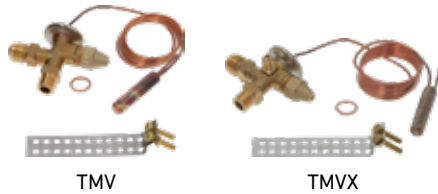
Honeywell



LF Code	GEV code	Model	Code Honeywell	Connection Inlet - Outlet	Equalizer pressure	Evaporation pressure range
3150101	LF3150101	AMV	A0003	3/8"sae - 1/2"sae		3.2 bar
5033701	750445	AMVX	00002	3/8"sae - 1/2"sae	1/4"sae	2.5 - 3.5 bar

HONEYWELL TMV/TMVX THERMOSTATIC VALVES

Honeywell



LF Code	GEV code	Model	Code Honeywell	Connection Inlet - Outlet	Refrigerant gas	Equalizer pressure	Temperature range	MOP
3150115	LF3150115	TMV	00005	3/8"sae - 1/2"sae	R134a		-30°/+15°C	
3150116	LF3150116	TMV	00012	3/8"sae - 1/2"sae	R404a/R507		-30°/+15°C	
3150001	LF3150001	TMV	00008	3/8"sae - 1/2"sae	R404a/R507		-50°/0°C	
3150118	LF3150118	TMV	00010	3/8"sae - 1/2"sae	R404a/R507		-50°/-20°C	-10°C
3150038	750017	TMV	00009	3/8"sae - 1/2"sae	R404a/R507		-50°/-27°C	-18°C
3150130	LF3150130	TMVX	00105	3/8"sae - 1/2"sae	R134a	1/4"sae	-30°/+15°C	
3150132	LF3150132	TMVX	00112	3/8"sae - 1/2"sae	R404a/R507	1/4"sae	-30°/+15°C	
3150131	LF3150131	TMVX	00108	3/8"sae - 1/2"sae	R404a/R507	1/4"sae	-50°/0°C	

HONEYWELL NOZZLES

Honeywell



LF Code	GEV code	Model
3150119	LF3150119	VD 0.3
3150120	LF3150120	VD 0.5
3150121	LF3150121	VD 0.7
3150122	750026	VD 1.0
3150123	LF3150123	VD 1.5
3150124	LF3150124	VD 2.0
3150125	LF3150125	VD 2.5
3150126	LF3150126	VD 3.0
3150127	LF3150127	VD 3.5
3150128	LF3150128	VD 4.5
3150129	LF3150129	VD 4.75

THERMOSTATIC VALVES FOR REFRIGERATION

SANHUA RFKA THERMOSTATIC VALVES



LF Code	GEV code	Model	Sanhua Code	Connection Inlet - Outlet	Refrigerant gas	Equalizer pressure	Temperature range	MOP
3150145	LF3150145	RFKA03-3.4-21	RFK-24013	3/8"sae - 1/2"sae	R404a/R507		-40°/+10°C	
3150149	750674	RFKA03-3.4-03	RFK-24015	3/8"sae - 12 mm ODF	R404a/R507		-40°/+10°C	
3150154	750676	RFKA03-3.4-04	RFK-24060	3/8"sae - 12 mm	R404a/R507		-40°/-10°C	MOP50 (-10°C)
3150146	LF3150146	RFKA03E-3.4-15	RFK-24014	3/8"sae - 1/2"sae	R404a/R507	1/4"sae	-40°/+10°C	
3150150	750675	RFKA03E-3.4-02	RFK-24016	3/8"sae - 12 mm ODF	R404a/R507	6 mm ODF	-40°/+10°C	
3150153	LF3150153	RFKH03-4.8-307	10201008802	3/8"sae - 12 mm ODF	R404a/R507	6 mm ODF	-40°/-15°C	MOP50 (-10°C)
3150147	750813	RFKA04-4.0-23	RFK-24019	3/8"sae - 1/2"sae	R134a		-40°/+10°C	
3150151	750815	RFKA04-4.0-29	RFK-24021	3/8"sae - 12 mm ODF	R134a		-40°/+10°C	
3150148	750814	RFKA04E-4.0-19	RFK-24020	3/8"sae - 1/2"sae	R134a	1/4"sae	-40°/+10°C	
3150152	750817	RFKA04E-4.0-17	RFK-24022	3/8"sae - 12 mm ODF	R134a	6 mm ODF	-40°/+10°C	

SANHUA SERIES H NOZZLES



LF Code	GEV code	Sanhua Code	Model
		RFKH-023-0X	H0X
3150164	LF3150164	RFKH-023-00	H00
3150165	LF3150165	RFKH-023-01	H01
3150166	LF3150166	RFKH-023-02	H02
3150167	LF3150167	RFKH-023-03	H03
3150168	LF3150168	RFKH-023-04	H04
3150169	LF3150169	RFKH-023-05	H05
3150170	LF3150170	RFKH-023-06	H06

LIQUID RECEIVERS

LIQUID RECEIVERS



1



2



3

Photo	LF Code	GEV code	Volume	Dimensions	ODS connections
1	3370009	LF3370009	0.88 l	ø 77xh220 mm	6.2 mm
2	3370001	LF3370001	1.3 l	ø 100xh204 mm	6.2 mm
3	3370002	LF3370002	2.3 l	ø 120xh252 mm	8.2 mm

TAPS ROTALOCK



LF Code	GEV code	Swivel connection	SAE Flare connection
3370004	LF3370004	1" UNS	3/8"
3370005	LF3370005	1" UNS	1/2"

CASTEL TAPS FOR TANKS



LF Code	GEV code	Model	Connection SAE	Connection NPT
3348914	LF3348914	6110/22	1/4"	1/4"

CASTEL TAPS FOR HERMETIC UNITS



LF Code	GEV code	Model	Charging connection - Position SAE	Connection SAE	Connection ODF mm
3348911	LF3348911	6062/22M6	1/4" - side Rh	1/4"	6
3348912	S0502186	6072/23M10	1/4" - side Lh	3/8"	10
3348913	S0502187	6072/24M12	1/4" - side Lh	1/2"	12

CASTEL CAP VALVES



6010/2



6410/...



6420/...

LF Code	GEV code	Model	Threaded connection SAE	ODF connection mm - in.	Kv factor m3/h	Length mm
3348900	750551	6010/2	1/4" MM	-	0.27	58
3348901	750552	6410/2	1/4" MM	-	0.4	68
3348902	750553	6410/3	3/8" MM	-	1	74
3348903	750554	6410/4	1/2" MM	-	1.45	78
3348905	750555	6420/2	-	6 - 1/4"	0.4	57
3348906	750556	6420/M10	-	10	1	61
3348907	750557	6420/M12	-	12	1.45	70
3348908	LF3348908	6420/5	-	16 - 5/8"	1.7	71
3348909	LF3348909	6420/M18	-	18	3.5	92
3348910	LF3348910	6420/M22	-	22	3.5	94

GAS TAPS AND ACCESSORIES

CASTEL BALL VALVES



LF Code	GEV code	Model	ODF connection mm - in.	Kv factor m ³ /h	Length mm
3348915	LF3348915	6570/M6	6	0.8	121
3348916	750535	6570/M10	10	3	121
3348917	750536	6570/M12	12	5	121
3348918	750537	6570/5	16 - 5/8"	17	139
3348919	LF3348919	6590/M18	18	17	139
3348920	LF3348920	6570/7	22 - 7/8"	29	175

ROTALOCK TAPS



LF Code	GEV code	Swivel connection	SAE Flare connection
3370004	LF3370004	1" UNS	3/8"
3370005	LF3370005	1" UNS	1/2"

COPPER PIPES FOR REFRIGERATION

CAPILLARIES



LF Code	GEV code	Length mm	Fittings	Depressor valve
3046011	LF3046011	500	1/4"sae	
3046013	696968	500	1/4"sae	x
3046001	694842	1000	1/4"sae	
3046014	694843	1000	1/4"sae	x
3046012	696777	1500	1/4"sae	
3046015	696778	1500	1/4"sae	x

CAPILLARIES CAP-KIT



LF Code	GEV code	Model	internal ø mm	Length mm
3046026	LF3046026	KK1H25	0,90	2000
3046025	LF3046025	KK2L25	1,06	3000
3046027	LF3046027	KK2H25	1,24	3000

VIBRATION ISOLATORS FOR COPPER PIPE



LF Code	GEV code	Model	ODF connection mm	Length mm
3046002	LF3046002	VTG10	10	230
3046003	LF3046003	VTG12	12	230
3046004	LF3046004	VTG16	16	255
3046005	LF3046005	VTG18	18	255
3046006	LF3046006	VTG22	22	290
3046007	LF3046007	VTG28	28	330
3046008	LF3046008	VTG35	35	380
3046009	LF3046009	VTG42	42	435
3046010	LF3046010	VTG54	54	515

COPPER PIPES FOR REFRIGERATION

REFRIGERATION CAPILLARY TUBE



LF Code	GEV code	internal ø mm	Weight Kg	Length m
3449167	LF3449167	0.80		30
3046016	LF3046016	0.90	3	
3046017	LF3046017	1.06	3	
3449168	LF3449168	1.10		30
3046018	LF3046018	1.24	3	
3046019	LF3046019	1.37	3	
3449169	LF3449169	1.60		30

ANNEALED COPPER PIPE IN ROLLS



LF Code	GEV code	external ø	Thickness mm	Weight g/m	Length m
3449600	LF3449600	6 mm	1	140	50
3449601	LF3449601	8 mm	1	197	50
3449602	LF3449602	10 mm	1	253	50
3449603	LF3449603	12 mm	1	309	50
3449604	LF3449604	14 mm	1	365	50
3449605	LF3449605	16 mm	1	421	50
3449191	LF3449191	1/4"	0.8	-	15
3449192	LF3449192	3/8"	0.8	-	15
3449193	LF3449193	1/2"	0.8	-	15

INSULATED COPPER PIPE



LF Code	GEV code	Pipe external ø	Pipe thickness mm	Insulation thickness mm	Length m
3449295	694749	1/4"	0.8	9	50
3449296	694750	3/8"	0.8	9	50
3449297	694751	1/2"	0.8	9	50
3449198	LF3449198	5/8"	1	9	25

ARMACELL INSULATION PIPE 2 m



LF Code	GEV code	Model	Thickness	Internal diameter mm	Length m
3449172	LF3449172	XG 09X010	9	10	2
3449173	LF3449173	XG 09X012	9	12	2
3449174	LF3449174	XG 09X015	9	15	2
3449175	LF3449175	XG 09X018	9	18	2
3449176	LF3449176	XG 09X022	9	22	2
3449177	LF3449177	XG 13X010	13	10	2
3449178	694887	XG 13X012	13	12	2
3449179	LF3449179	XG 13X015	13	15	2
3449180	LF3449180	XG 13X018	13	18	2
3449181	LF3449181	XG 13X022	13	22	2

XG - Temperature range -50°/+105°C

ARMACELL INSULATION PIPE IN ROLLS



LF Code	GEV code	Model	Thickness	Internal diameter mm	Length m
3180025	694746	XG 09X010/E	9	10	50
3180026	694747	XG 09X012/E	9	12	45
3180027	694748	XG 09X015/E	9	15	40
3180028	LF3180028	XG 09X018/E	9	18	38
3449186	LF3449186	XG 09X022/E	9	22	30
3180029	LF3180029	XG 13X010/E	13	10	35
3180030	LF3180030	XG 13X012/E	13	12	32
3180031	LF3180031	XG 13X015/E	13	15	28
3180032	LF3180032	XG 13X018/E	13	18	27
3449190	LF3449190	XG 13X022/E	13	22	26

XG - Temperature range -50°/+105°C



LF Code: 3180024
GEV Code: 371310



LF Code: 3180037
GEV Code: 696892



LF Code: 3180046
GEV Code:

INSULATING SHELL FOR THERMOSTATIC VALVE

suitable against condensate and ice formation. In network polyethylene foam with closed cells and CL1, M1 certification

INSULATING SHELL FOR THERMOSTATIC VALVE

suitable against condensate and ice formation

INSULATION GLUE 1 L

FITTINGS

CONE FRUSTUM COPPER GASKETS



LF Code	GEV code	International code	Connections
3349074	750466	B2-4	1/4"
3349075	750467	B2-6	3/8"
3349076	LF3349076	B2-8	1/2"
3349077	LF3349077	B2-10	5/8"

COPPER CAPS



LF Code	GEV code	International code	Connections
3349078	LF3349078	B1-4	1/4" sae

CAPS FOR COPPER PIPES



LF Code	GEV code	International code	SAE Flare	copper pipe ø
3349901	750050	NS4-4	1/4"	1/4"-6 mm
3528041	LF3528041		1/4"	3/16"
3528042	LF3528042		5/16"	1/4"
3349902	750057	NRS4-64	3/8"	1/4"-6 mm
3349903	LF3349903		3/8"	8 mm
3349048	750460	NS4-6	3/8"	3/8"
3349904	750052		3/8"	10 mm
3349050	LF3349050	NRS4-86	1/2"	3/8"
3349905	750053		1/2"	10 mm
3349906	750054		1/2"	12 mm
3349049	LF3349049	NS4-8	1/2"	1/2"
3349051	LF3349051		5/8"	12 mm
3349046	LF3349046		5/8"	14 mm
3349907	750065	NS4-10	5/8"	5/8"-16 mm
3528043	LF3528043	NRS4-1210	3/4"	5/8"-16 mm
3349047	750056		3/4"	18 mm

BLIND CAPS



LF Code	GEV code	International code	SAE Flare
3349091	750713	N5-4 CAP NUT	1/4"
3349268	LF3349268		3/8"
3349647	LF3349647		1/2"

TEE COUPLINGS MFM



LF Code	GEV code	International code	Threaded connections	Features
3349073	520937	T6-4	1/4" sae	-
3349263	521290	-	1/4" sae	with separate nut

TEE COUPLINGS MFM



LF Code	GEV code	International code	Threaded connections SAE
3349070	750480	T2-4	1/4"
3349275	LF3349275	-	5/16"
3349276	LF3349276	T2-6	3/8"

TEE COUPLINGS MFM



LF Code	GEV code	International code	Threaded connections SAE NPT SAE	Features
3349071	LF3349071	T1-4A	1/4" 1/8" 1/4"	-
3349262	LF3349262	-	1/4" 1/8" 1/4"	with side inlet valve
3349072	LF3349072	T1-4B	1/4" 1/4" 1/4"	-
3349272	LF3349272	T1-6B	3/8" 1/4" 3/8"	-

FITTINGS

ELBOW THREADED COUPLINGS MM



LF Code	GEV code	International code	Threaded connections SAE NPT
3349264	LF3349264	E2-4	1/4" -
3349265	LF3349265	E2-6	3/8" -
3349069	LF3349069	E1-4A	1/4" 1/8"
3349068	LF3349068	E1-4B	1/4" 1/4"

STRAIGHT THREADED COUPLINGS MF SAE/NPT



LF Code	GEV code	International code	Threaded connections SAE M NPT F
3349045	LF3349045	U3-4A	1/4" 1/8"

STRAIGHT THREADED COUPLINGS MM



LF Code	GEV code	International code	SAE Flare
3349056	750475	U2-4	1/4"
3349057	750474	U2-6	3/8"
3349058	LF3349058	U2-8	1/2"
3349059	LF3349059	U2-10	5/8"

STRAIGHT THREADED COUPLINGS MM SAE/NPT



LF Code	GEV code	International code	Threaded connections SAE NPT
3349060	750477	U1-4A	1/4" 1/8"
3349044	750478	U1-4B	1/4" 1/4"
3349061	LF3349061	U1-6B	3/8" 1/4"
3349062	LF3349062	U1-6C	3/8" 3/8"
3349063	LF3349063	U1-8D	1/2" 1/2"

STRAIGHT THREADED COUPLINGS/WELD



LF Code	GEV code	International code	Connections SAE Flare M ø ODS F
3349065	LF3349065	US3-44	1/4" 1/4"-6 mm
3349066	LF3349066	-	3/8" 10 mm
3349067	LF3349067	-	1/2" 12 mm

SWIVEL HOSES



LF Code	GEV code	International code	SAE Flare	Length mm
3349052	LF3349052	US4-4	1/4"	17
3349053	750458	US4-6	3/8"	22
3349054	750459	US4-8	1/2"	25
3349055	LF3349055	US4-10	5/8"	28

REDUCTIONS FOR CYLINDER FREON



LF Code	GEV code	Threaded connection	Description
3349064	750465	1/4"sae	-
3349085	LF3349085	5/16"sae	-
3786461	LF3786461	-	Seal for cylinder reducer

REVERSING FITTINGS (2 pcs)



LF Code	GEV code	Connections
3046020	LF3046020	1/4"sae MF
3046021	LF3046021	3/8"sae MF
3046022	LF3046022	1/2"sae MF

FITTINGS

BUTTERFLY COUPLINGS



LF Code	GEV code	Connections
3349514	LF3349514	1/4"NPT-6 mm
3349515	LF3349515	1/4"NPT-8 mm

QUICK F-COUPLINGS



LF Code	GEV code	Connections
3349516	LF3349516	1/4"NPT

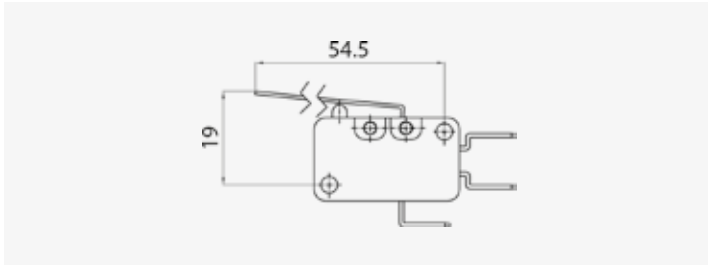
QUICK M-COUPLINGS



LF Code	GEV code	Connections
3349517	LF3349517	1/4"NPT

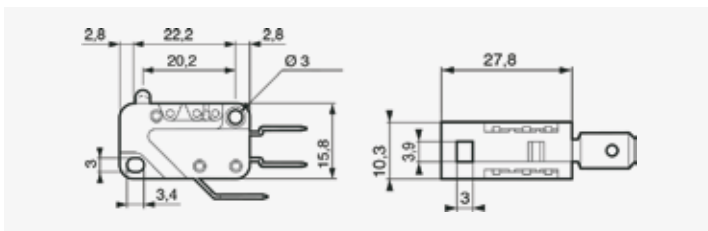
MECHANICAL MICROSWITCHES

ELECTRICA SERIES NR MICROSWITCHES



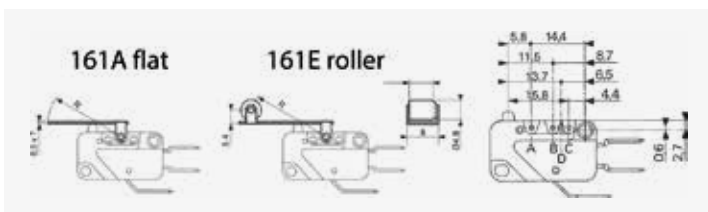
LF Code	GEV code	Model	Contacts	Max operating force	Terminals	Features	Suitable for
3240820	LF3240820	NR48W5	1NO+1NC 16A 250V	1 N	6.35x0.8 mm	with flat lever 49 mm	ALI GROUP-FRAMEC-FLONASA

CROUZET SERIES V3-83161 MICROSWITCHES



LF Code	GEV code	Model	Contacts	Terminals	Max operating force	Features
3803111	LF3803111	EF83161.1	1NO+1NC 16A 250V	6.3x0.8 mm	3N	high force
1240283	345042	EF83161.3	1NO+1NC 16A 250V	6.3x0.8 mm	0.8N	standard
3803120	LF3803120	EF83161.4	1NO+1NC 10A 250V	6.3x0.8 mm	0.5N	low force
3803121	347217	EF83161.5	1NO+1NC 4A 250V	6.3x0.8 mm	0.25N	very low force

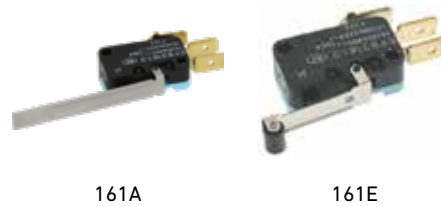
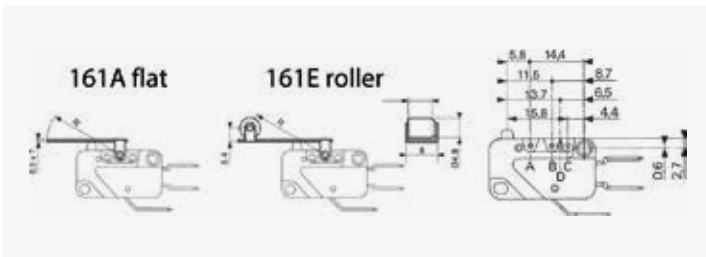
CROUZET SERIES V3-83161 MICROSWITCH ACTUATORS



LF Code	GEV code	Models	Features	R mm
2111919	345043	n.3 161A n.2 161E	161A - flat 161E - roller	14.2 - 25.4 - 72.8 13.6 - 24.1

MECHANICAL MICROSWITCHES

CROUZET SERIES V3-83161 MICROSWITCHES WITH ACTUATOR



LF Code	GEV code	Model	Contacts	Terminals	Max operating force	Features	Suitable for
5086770	LF5086770	EF83161.3	1NO+1NC 16A 250V	6.3x0.8 mm	0.3N	with actuator 161A flat R=50 mm (pos.B)	MONDIAL ELITE - FRAMEC
3240568	345216	EF83161.3	1NO+1NC 16A 250V	6.3x0.8 mm	0.5N	with actuator 161E roller R=24.1 mm (pos.B)	FLONASA
3803113	LF3803113	EF83161.1	1NO+1NC 16A 250V	6.3x0.8 mm	1N	with actuator 161A flat R=50 mm (pos.B)	ISA
3240883	LF3240883	EF83161.1	1NO+1NC 16A 250V	6.3x0.8 mm	1.2N	with actuator 161A flat R=72.8 mm (pos.A)	ICEMATIC
5047787	S0089125	EF83161.1	1NO+1NC 16A 250V	6.3x0.8 mm	1.5N	with actuator 161E roller R=24.1 mm (pos.B)	MIGEL

CHERRY MICROSWITCHES



Photo	LF Code	GEV code	Model	Contacts	Terminals	Colour	Suitable for
1	3803110	LF3803110	D3B	1NO+1NC 8A 250V	6.3x0.8 mm	white	ISA
2	3240355	347674	D42X	1NO+1NC 3A 250V	6.3x0.8 mm	white	STAFF ICE SYSTEM
3	3803137	LF3803137	D43X	1NO+1NC 6A 250V	6.3x0.8 mm	black	BREMA
4	5061167	LF5061167	E65	1NO+1NC 16A 250V	6.3x0.8 mm	white	FOSTER

PANASONIC MICROSWITCHES

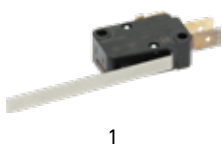


Photo	LF Code	GEV code	Model	Contacts	Actuator	Suitable for
1	3240813	LF3240813	AH71835558F	1NO+1NC 16(3)A 250V	with lever 55 mm	SAGI-ANGELO PO

MECHANICAL MICROSWITCHES

MICROSWITCHES



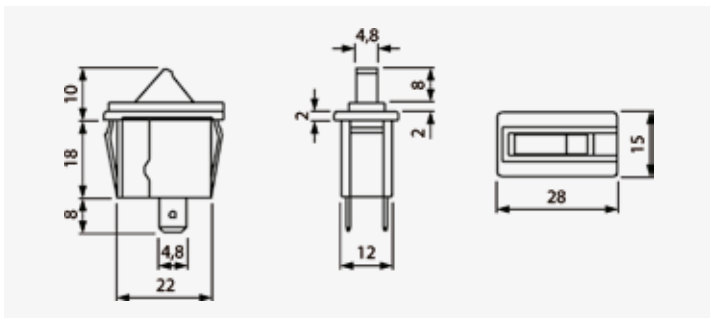
Photo	LF Code	GEV code	Model	Contacts	Terminals	Colour	Suitable for
1	3803025	LF3803025	MS4-16Z	1NO+1NC 16A 250V	6.3x0.8 mm		
2	5021644	347057	AN-EL RK28B	1NO+1NC 2.5A 250V	4.8x0.5 mm	White	FRIULINOX-POLARIS
3	3240583	LF3240583	KAN 3-1	1NO+1NC 0.5A 250V	4.8x0.5 mm	Grey	CORECO

ELTEK MICROSWITCHES



Photo	LF Code	GEV code	Model	Contacts	plunger	Suitable for
1	5052973	LF5052973	100256.03	1NO+1NC 0.25A 250V	24 mm	IARP

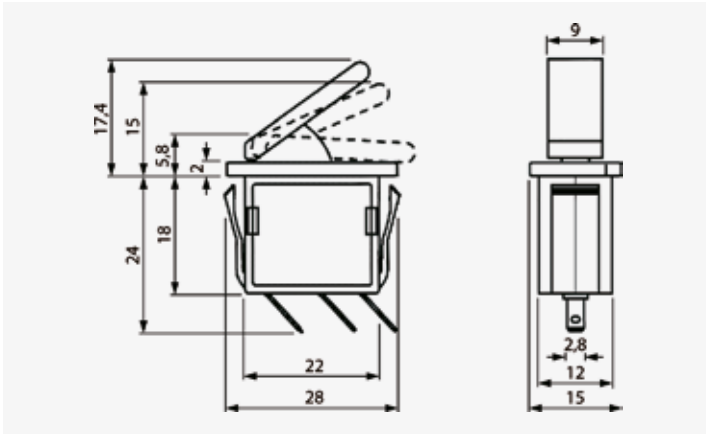
BÄR SERIE 1430 MICROSWITCHES



LF Code	GEV code	Model	Contacts	Terminals	Colour	Suitable for
5050242	S0502041	1430 0415	1NC 0.2A 250V	faston 4.8x0.8 mm	white	COLDLINE

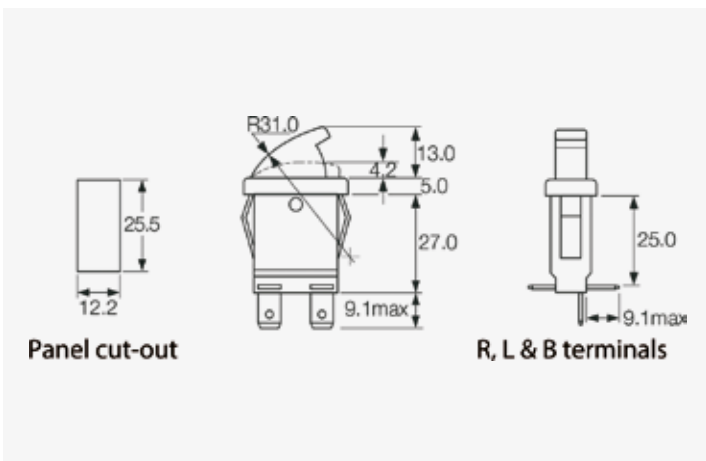
MECHANICAL MICROSWITCHES

BÄR SERIE XKA MICROSWITCHES



LF Code	GEV code	Model	Contacts	Terminals	Colour	Suitable for
3240526	347027	XKA304W1AAJ11AD	1NO+1NC 1A 250V	Faston 2.8 x 5.0 mm 45° formed	white	SAGI - ANGELO PO
3240292	LF3240292	XKA304B1AAJ11	1NO+1NC 1A 250V	Faston 2.8 x 5.0 mm 45° formed	black	ELECTROLUX - STUDIO 54 - WHIRLPOOL
7109077	S0063066	XKA304B1AAJ11AB	1NO+1NC 1A 250V	Faston 2.8 x 5.0 mm 45° formed	black	LIEBHERR

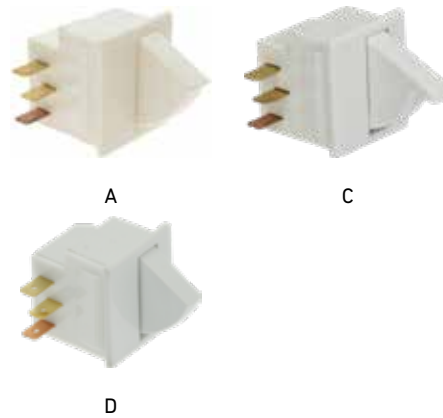
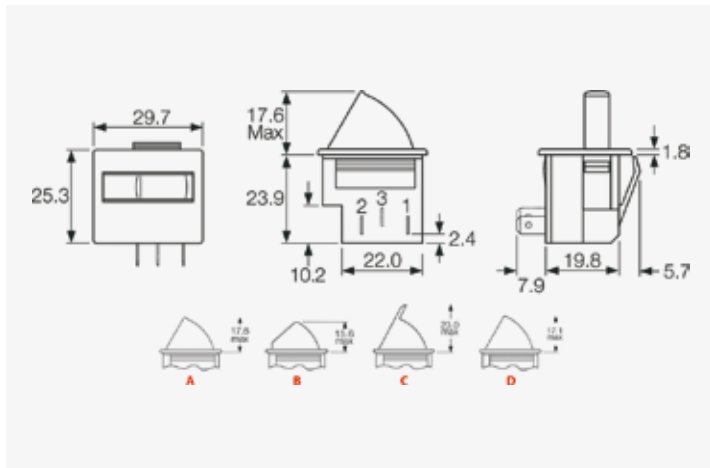
ARCOLECTRIC SERIES 3005/3006 MICROSWITCHES



LF Code	GEV code	Model	Terminals position	Contacts	Colour	Suitable for
3803140	346569	C3005	B - 6.3x0.8 mm	1-NC 0.3A 250V	White	
3240864	348192	C3006	R - 6.3x0.8 mm	1-NO 0.3A 250V	White	IARP
3240854	345249	C3006	L - 6.3x0.8 mm	1-NO 0.3A 250V	White	MONDIAL ELITE - WHIRLPOOL - WILLIAMS - ELECTROLUX
3240855	348148	C3006	L - 6.3x0.8 mm	1-NO 0.3A 250V	Black	MONDIAL ELITE-FRAMEC
1803010	LF1803010	C3006	B - 6.3x0.8 mm	1-NO 0.3A 250V	White	

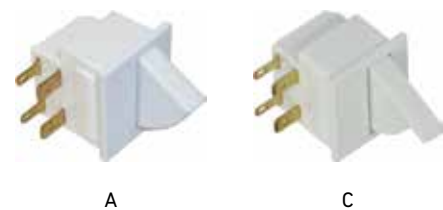
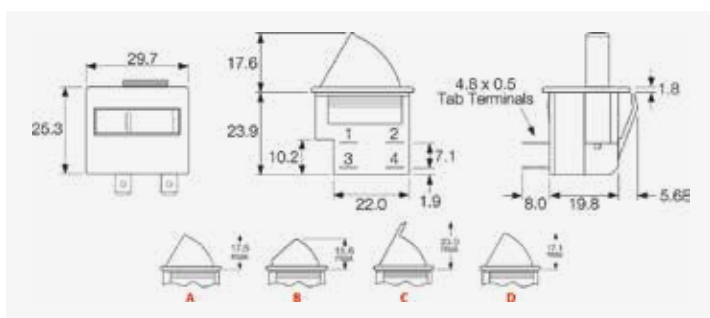
MECHANICAL MICROSWITCHES

ARCOLECTRIC SERIES 3100 MICROSWITCHES



LF Code	GEV code	Model	Actuator drawing	Contacts	Terminals	Colour	Suitable for
5028294	347347	E3102	A	1-NC 5A 250V	4.8x0.5 mm	White	ALI REFRIGERATION - INOMAK
3240294	LF3240294	E3111	A	1-NO 1-NC 5A 250V	4.8x0.5 mm	White	ELECTROLUX - WHIRLPOOL - STUDIO 54 - ISA - TECNODOM
5064019	LF5064019	E3111	C	1-NO 1-NC 5A 250V	4.8x0.5 mm	White	EVERLASTING
5098660	348207	E3111	C	1-NO 1-NC 5A 250V	4.8x0.5 mm	Grey	FAGOR
3803139	346772	E3111	D	1-NO 1-NC 5A 250V	4.8x0.5 mm	White	CORECO - DESMON - FORCAR - ELECTROLUX - TEFCOLD

ARCOLECTRIC SERIES 3140 MICROSWITCHES



LF Code	GEV code	Model	Actuator drawing	Contacts	Terminals	Colour	Suitable for
5050688	348008	HK3141AA	A	1-NC 1-NO 5A 250V	n.2 (4.8x0.8) mm / n.2 (2.8x0.8) mm	White	SAGI - FRIGINOX - DEXION - AFINOX
3803099	LF3803099	HK3141CA	C	1-NC 1-NO 5A 250V	n.2 (4.8x0.8) mm / n.2 (2.8x0.8) mm	White	FOSTER

MECHANICAL MICROSWITCHES

PIZZATO SERIES MK MICROSWITCHES

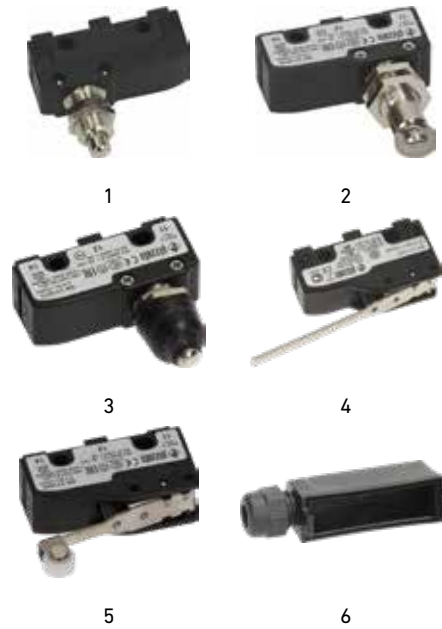
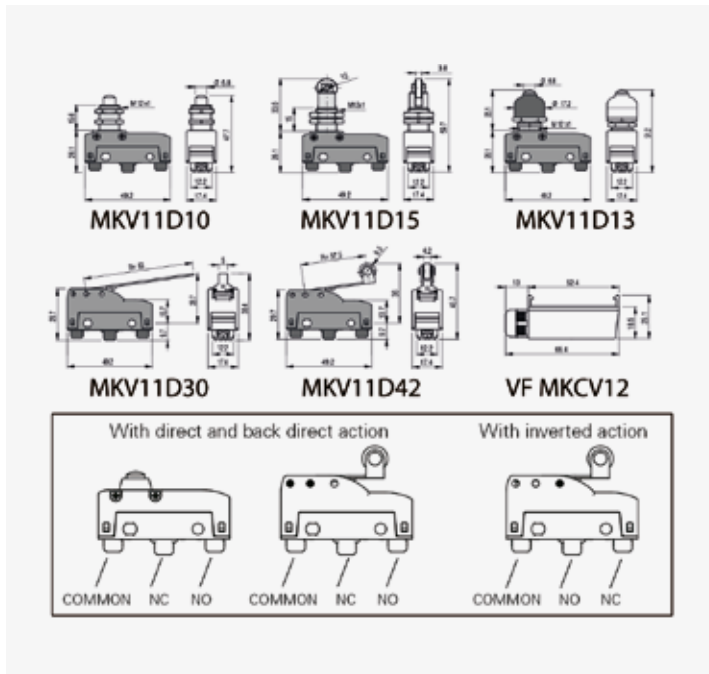
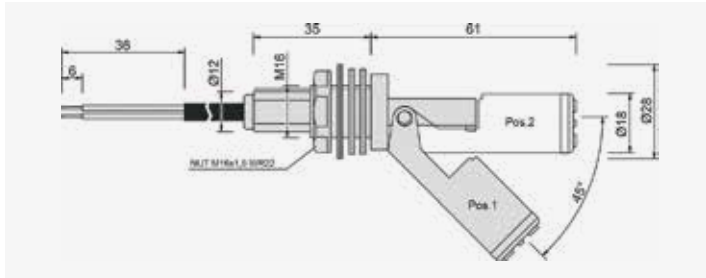


Photo	LF Code	GEV code	Model	Contacts	Terminals	Suitable for
1	5061269	LF5061269	MKV11D10	1NO+1NC 16A 250V	screw	KASTEL
2	1240120	348145	MKV11D15	1NO+1NC 16A 250V	screw	
3	5084071	LF5084071	MKV11D13	1NO+1NC 16A 250V	screw	CARPIGANI
4	9240007	LF9240007	MKV11D30	1NO+1NC 16A 250V	screw	
5	3803104	LF3803104	MKV11D42	1NO+1NC 16A 250V	screw	
	3803136	LF3803136	MKV11D40	1NO+1NC 16A 250V	screw	
6	3803105	LF3803105	VF MKCV12		protection terminal cover for multipolar cables from \varnothing 4 to \varnothing 7.5 mm	

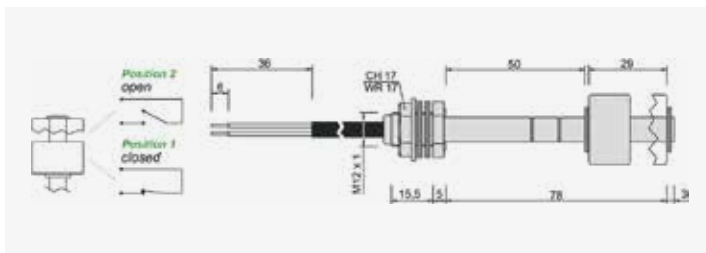
MECHANICAL MICROSWITCHES

STEM L221 LEVEL SWITCH HORIZONTAL



LF Code	GEV code	Model	Contacts	Terminals	Suitable for
3240475	345484	L221 1V	1-NO/NC 1A 250V 50W		cable length 2000 mm

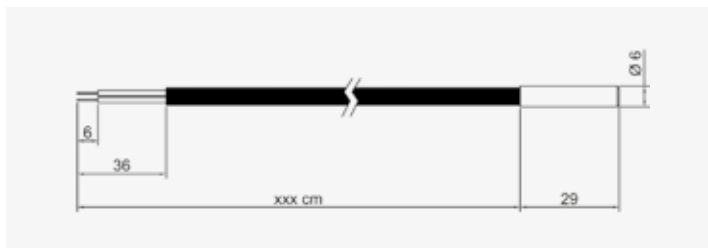
STEM L143 LEVEL SWITCH VERTICAL



LF Code	GEV code	Model	Contacts	Terminals	Suitable for
3390243	LF3390243	L143 1V	1-NO/NC 1A 250V 50W	IARP	cable length 2000 mm

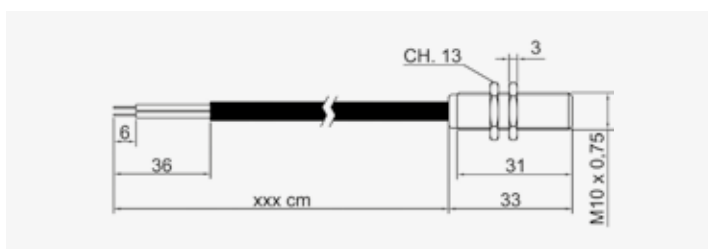
MAGNETIC MICROSWITCHES

STEM A061 MAGNETIC SENSORS



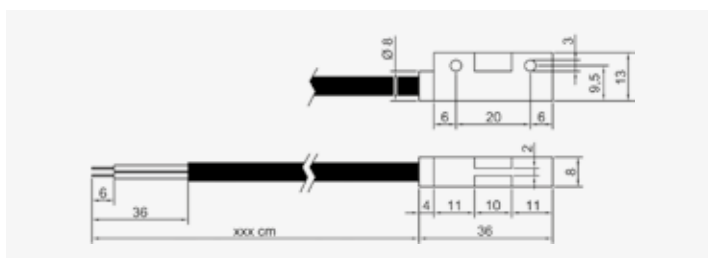
LF Code	GEV code	Model	Contacts	Terminals	Suitable for
3803100	LF3803100	A061 1B	1-NO 1A 200Vdc-250Vac 50W	cable length 1700 mm	SAGI
3803086	LF3803086	A061 1G	1-NO 0.5A 100Vdc-125Vac 10W	cable length 2000 mm	CARPIGIANI - CATTABRIGA
3803087	LF3803087	A061 1V	1-NO 0.04A 250V 10W	cable length 2000 mm	CARPIGIANI

STEM D102 MAGNETIC SENSORS



LF Code	GEV code	Model	Contacts	Terminals	Suitable for
3240498	345632	D102 1B	1-NO 1A 200Vdc-250Vac 50W	cable length 2000 mm	SAGI

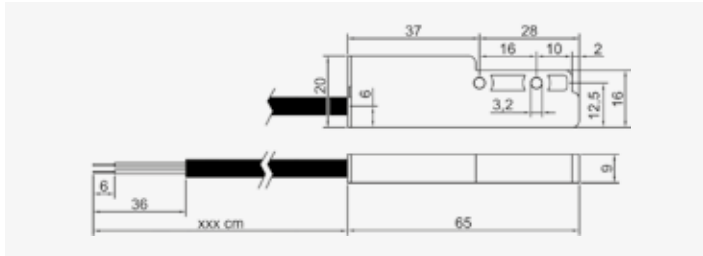
STEM E510 MAGNETIC SENSORS



LF Code	GEV code	Model	Contacts	Terminals	Suitable for
9014016	LF9014016	E510 1A	1-NO 0.5A 150V 10W	cable length 750 mm	ICEMATIC - SCOTSMAN - SIMAG - BARLINE
5031564	LF5031564	E510 1B	1-NO 1A 200Vdc 250Vac 50W	cable length 4000 mm	IRINOX
5049336	LF5049336	E510 1M	1-NC 0.5A 150V 10W	cable length 900 mm	ITV
3240139	345335	E510 1V	1-NO 0.04A 250V 10W	cable length 530 mm	FRIULINOX
3803084	LF3803084	E510 2B	2-NO 0.04A 250V 10W	cable length 2000 mm	CARPIGIANI - COLDELITE

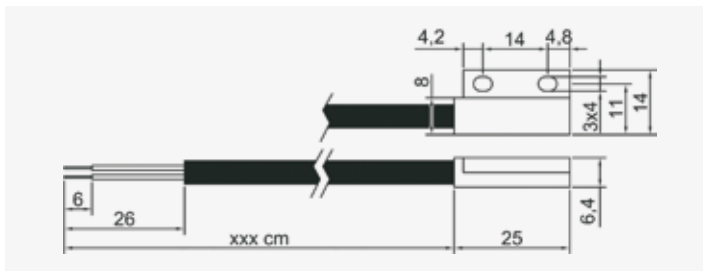
MAGNETIC MICROSWITCHES

STEM E530 MAGNETIC SENSORS



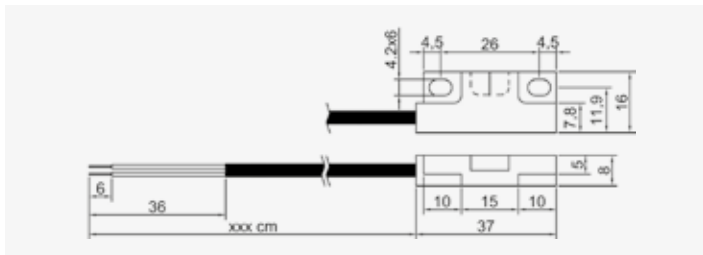
LF Code	GEV code	Model	Contacts	Terminals	Suitable for
3240832	344998	E530 1C	1-NO 0.4A 250V 100W	cable length 2000 mm	AFINOX - ILSA - ALI REFRIGERATION - WHIRLPOOL
3240138	345116	E530 1C	1-NO 0.4A 250V 100W	cable length 2900 mm	ICEMATIC

STEM E540 MAGNETIC SENSORS



LF Code	GEV code	Model	Contacts	Terminals	Suitable for
5048438	LF5048438	E540 1G	1-NO 0.5A 100Vdc-125Vac 10W	cable length 1000 mm with tabs faston 6.3x0.8	COLDLINE

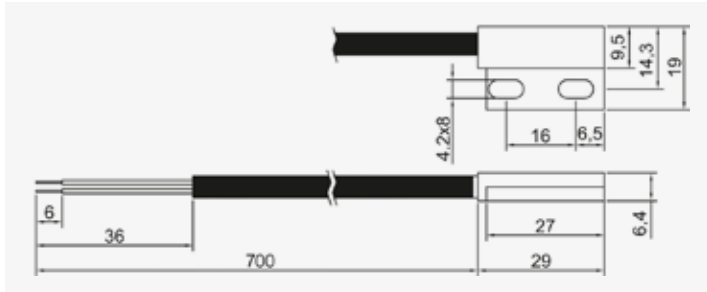
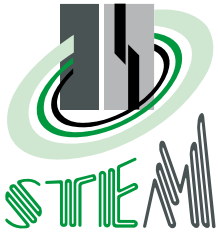
STEM E550 MAGNETIC SENSORS



LF Code	GEV code	Model	Contacts	Terminals	Suitable for
3240256	345600	E550 1B	1-NO 1A 250V 50W	cable length 1200 mm	AFINOX - SAGI - WHIRLPOOL

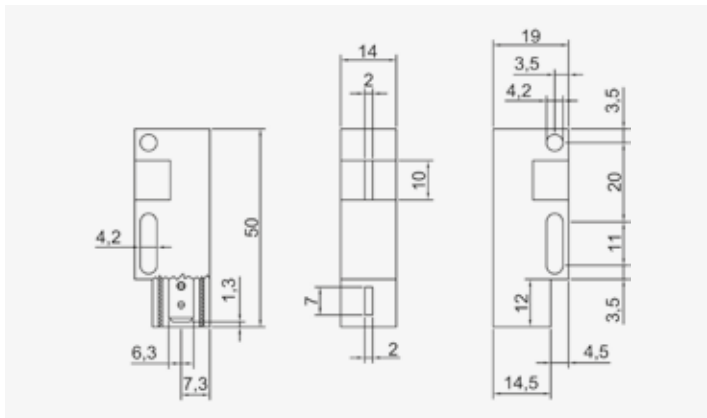
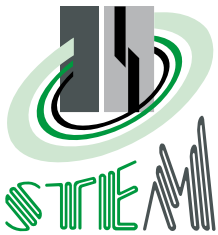
MAGNETIC MICROSWITCHES

STEM E560 MAGNETIC SENSORS



LF Code	GEV code	Model	Contacts	Terminals	Suitable for
5051860	S0210779	E560 1V	1-NO 0.04A 250V 10W	cable length 700 mm	NORTECH

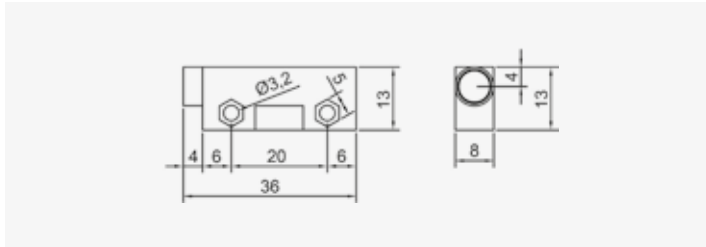
STEM E710 MAGNETIC SENSORS



LF Code	GEV code	Model	Contacts	Terminals	Suitable for
3240469	345821	E710 1B	1-NO 1A 250V 10W	faston 6.3x0.8 mm	ELECTROLUX - WHIRLPOOL

MAGNETS

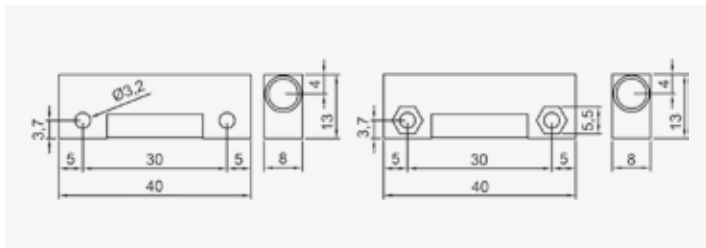
STEM M302 MAGNETIC UNITS



LF Code	GEV code	Magnetic material	Dimensions mm	Hole diameter mm	Suitable for
5036587	LF5036587	Neodym	ø 6xL25	3.2 with nut exagon	MIGEL
9014042	S0902426	Alnico	ø 6xL20	3.2	IRINOX

Uninflamabile nylon glass black housing sensor

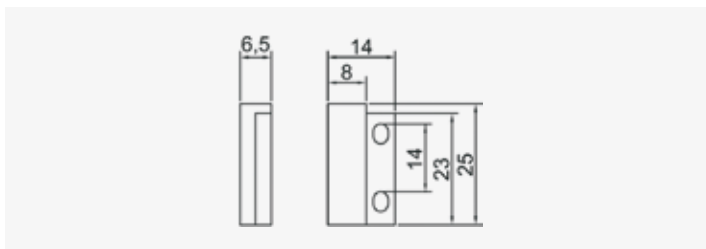
STEM M303 MAGNETIC UNITS



LF Code	GEV code	Magnetic material	Colour	Dimensions mm	Hole diameter mm	Suitable for
9240056	LF9240056	Alnico	black	ø 5xL20	3.2	ITV
3240610	347059	Alnico	black	ø 6xL30	3.2 with nut exagon	ICEMATIC - SCOTSMAN - SIMAG - BARLINE
5022457	LF5022457	Neodym	grey	ø 6xL30	3.2 with nut exagon	ICEMATIC - SCOTSMAN - SIMAG - BARLINE

Uninflamabile nylon glass black housing sensor

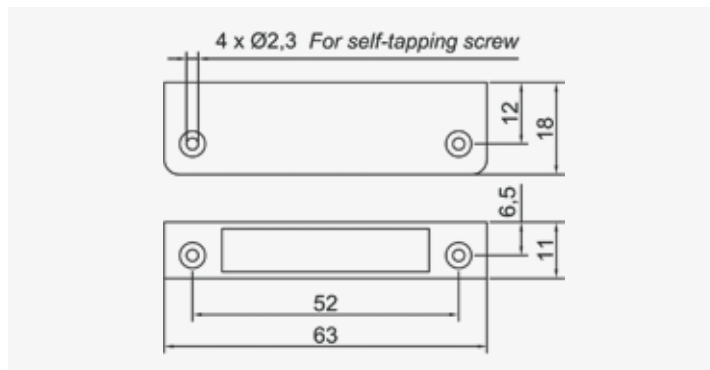
STEM M305 MAGNETIC UNITS



LF Code	GEV code	Magnetic material	Dimensions mm	Hole diameter mm	Suitable for
5048439	LF5048439	Neodym	ø 5xL20	32	COLDLINE

Uninflamabile nylon glass black housing sensor

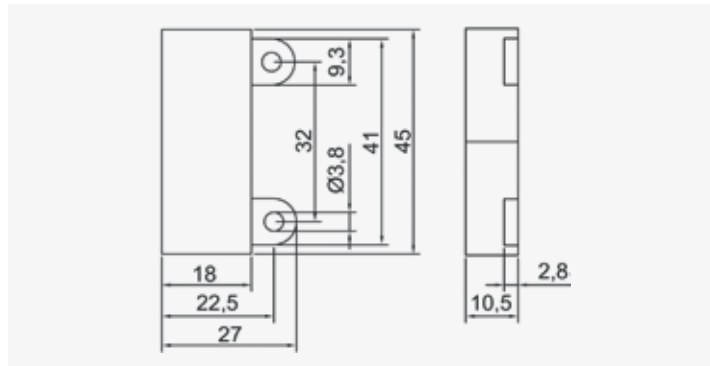
STEM M350 MAGNETIC UNITS



LF Code	GEV code	Magnetic material	Features	Suitable for
3240148	519049	Ferrite	Magnetization axes horizontal monopolar	SAGI-ANGELO P0

Unit body in grey Byblend

STEM M370 MAGNETIC UNITS

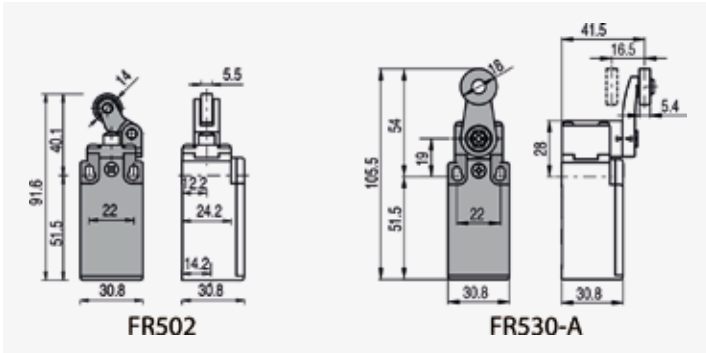


LF Code	GEV code	Magnetic material	Features	Suitable for
7105989	345518	Ferrite	Magnetization axes horizontal monopolar	POLARIS-ELECTROLUX- ZANUSSI-ALPENINOX

Unit body in black colour Noryl

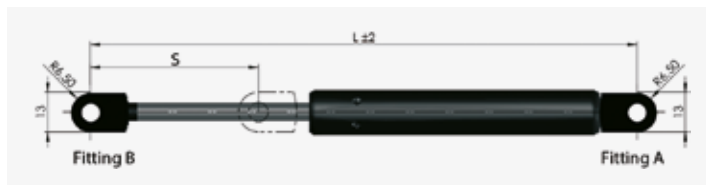
POSITION SWITCHES SHOCK ABSORBERS

PIZZATO SERIES FR POSITION SWITCH



LF Code	GEV code	Model	Contacts	Suitable for
3803112	348261	FR502	1NO+1NC 3A 400V	RIVACOLD
3240155	345144	FR530-A	1NO+1NC 3A 400V	MARENO-ZANUSSI

SUSPA 16-1 GAS SHOCK ABSORBERS



LF Code	GEV code	Model	Length L mm	Limit S mm	plunger ø mm	cylinder ø mm	Strength
5046865	S0081848	01625075	160	45	6	15	150N
5044891	S0041862	01624497	160	45	6	15	200N

LOCTITE INSTANT ADHESIVES



Photo	LF Code	GEV code	Model	Chemical nature	Fastening time	Viscosity	Colour	Operating temperature	Size	Materials
1	3180153	890136	401	Ethyl cyanoacrilate	3 - 10 sec	100 mPa-s	colorless	-40/+120°C	3 g	for porous materials
2	3180157	LF3180157	401	Ethyl cyanoacrilate	3 - 10 sec	100 mPa-s	colorless	-40/+120°C	20 g	for porous materials
3	3180063	LF3180063	406	Ethyl cyanoacrilate	2 - 10 sec	20 mPa-s	colorless	-40/+120°C	20 g	rubber-plastic
4	3180154	890138	454	Ethyl cyanoacrilate	5 - 10 sec	Gel	colorless	-40/+120°C	20 g	universal gel

LEAK LOCK SEALER FOR COUPLINGS



Photo	LF Code	GEV code	Model	Chemical nature	Viscosity	Colour	Size
1	3394905	890304	Leak lock	ethanol and isopropanol	flowable paste	light blue	39 ml

LOCTITE SEALER FOR COUPLINGS



Photo	LF Code	GEV code	Model	Chemical nature	Viscosity	Colour	Operating temperature	Size	Features
1	3180061	LF3180061	55	Polyamide thread with inert proprietary paste	semi-solid	White	-55/+130°C	150 m	for metals and plastics
2	3394154	890128	542	Dimethacrylate ester	low (liquid)	Brown	-55/+150°C	50 ml	for metals
3	3092099	LF3092099	577	Dimethacrylate ester	high thixotropic (paste)	Yellow	-55/+150°C	50 ml	for metals
4	3065006	LF3065006	5400	Dimethacrylate ester	high thixotropic (paste)	Yellow to dark orange	-55/+150°C	50 ml	for metals

GLUES

LOCTITE SEALER FOR FLANGES



1

Photo	LF Code	GEV code	Model	Chemical nature	Viscosity	Colour	Operating temperature	Size
1	3394363	890072	574	Dimethacrylate ester	Thixotropic (paste)	Orange	-55/+150°C	50 ml

LOCTITE THREADS LOCKER



1

Photo	LF Code	GEV code	Model	Chemical nature	Viscosity	Colour	Operating temperature	Size
1	3180152	LF3180152	243	Dimethacrylate ester	medium thixotropic (liquid)	blue	-55/+180°C	10 ml



LF Code: 3394158
GEV Code: LF3394158



LF Code: 3180020
GEV Code: LF3180020



LF Code: 3180902
GEV Code: 551285

**SMOOTH ALUMINIUM BAND
50 M ROLL**

**ANTI-CONDENSATE WHITE STRIP
10 M ROLL**

**INSULATING TAPE ARMAFLEX XG
15 M ROLL**

3x50 mm



LF Code: 3180901
GEV Code: 551319

**INSULATING TAPE ARMAFLEX AF
15 M ROLL**

3x50 mm

COMPENSATION VALVES FOR REFRIGERATION

COMPENSATION VALVES VA



LF Code	GEV code	Model	ø hole mm	Application
3526240	LF3526240	VA 180	20	vertical
3526241	LF3526241	VA 90	20	horizontal

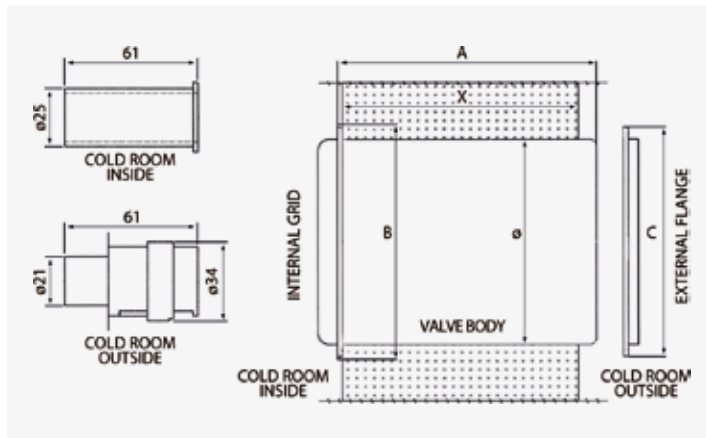
they have to be installed near an heat source

COMPENSATION VALVE



LF Code	GEV code	ø hole mm	Heating element	Extensible length mm	Max capacity
4092573	S0503064	45	230V 6W	60-80-100-130	50m3

ELEBAR COMPENSATION VALVES



LF Code	GEV code	Model	Heating element	ø hole mm	A mm	B mm	C mm	X max mm
3150079	750334	MICROELEBAR		21				
3526800	750332	MINIELEBAR TN		60	62	85		60
3150078	750330	MINIELEBAR BT Extensible	230V 7W	65	92/152	98	102	70/130
3526801	750327	ELEBAR TN		80	147	115	117	130
3526804	750328	ELEBAR BT	230V 7W	80	147	115	117	130



GEV Großküchen-Ersatzteil-Vertrieb GmbH

Gadastr. 4
85232 Bergkirchen - Germany
Tel.: +49 8142 6522-50
order@gev-online.com
www.gev-online.com

LF SpA a socio unico

Via Voltri 80
47522 Cesena FC - Italy
Tel.: +39 0547 34 11 11
info@lfspareparts.com
www.lfspareparts724.com

